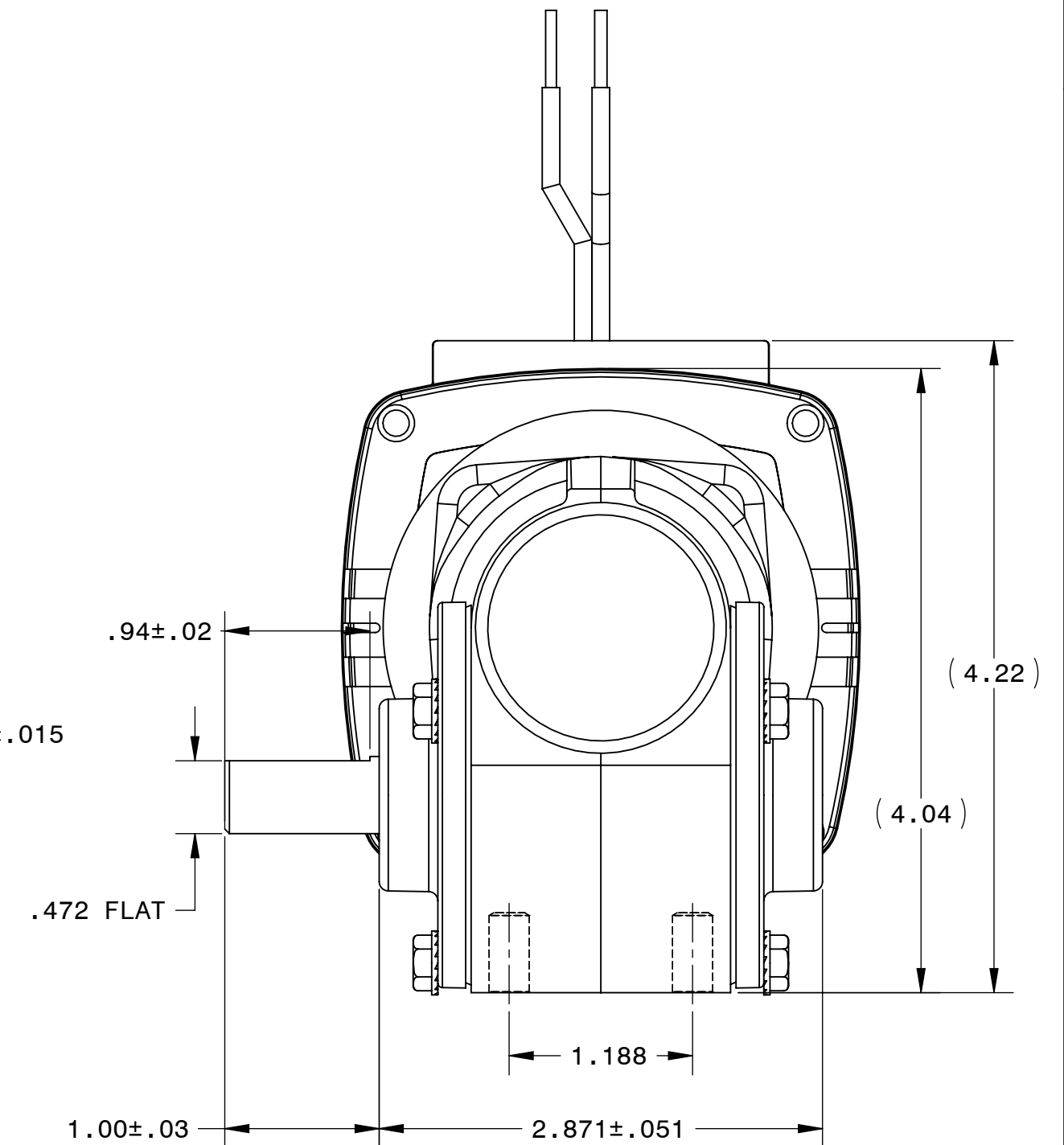
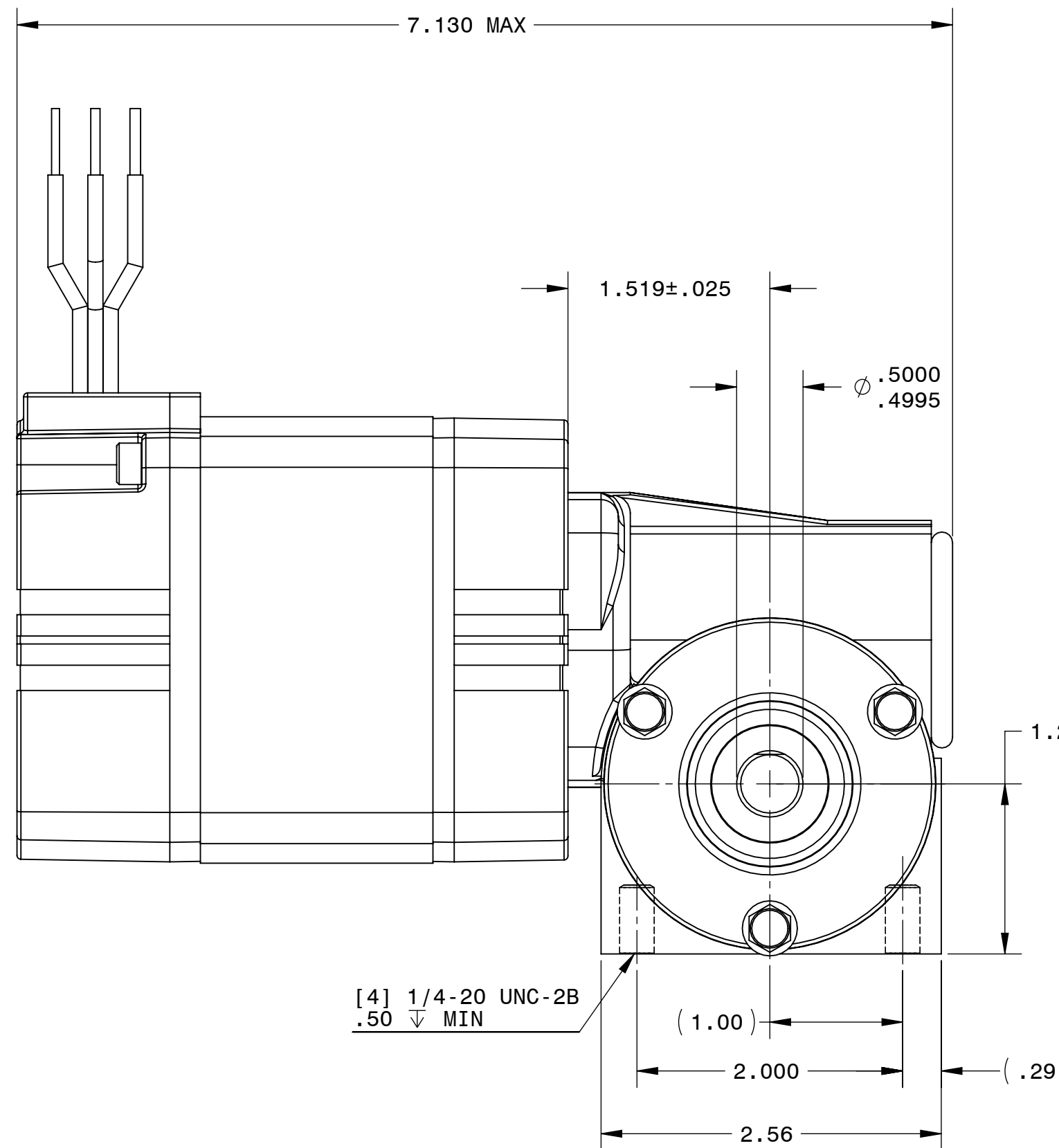
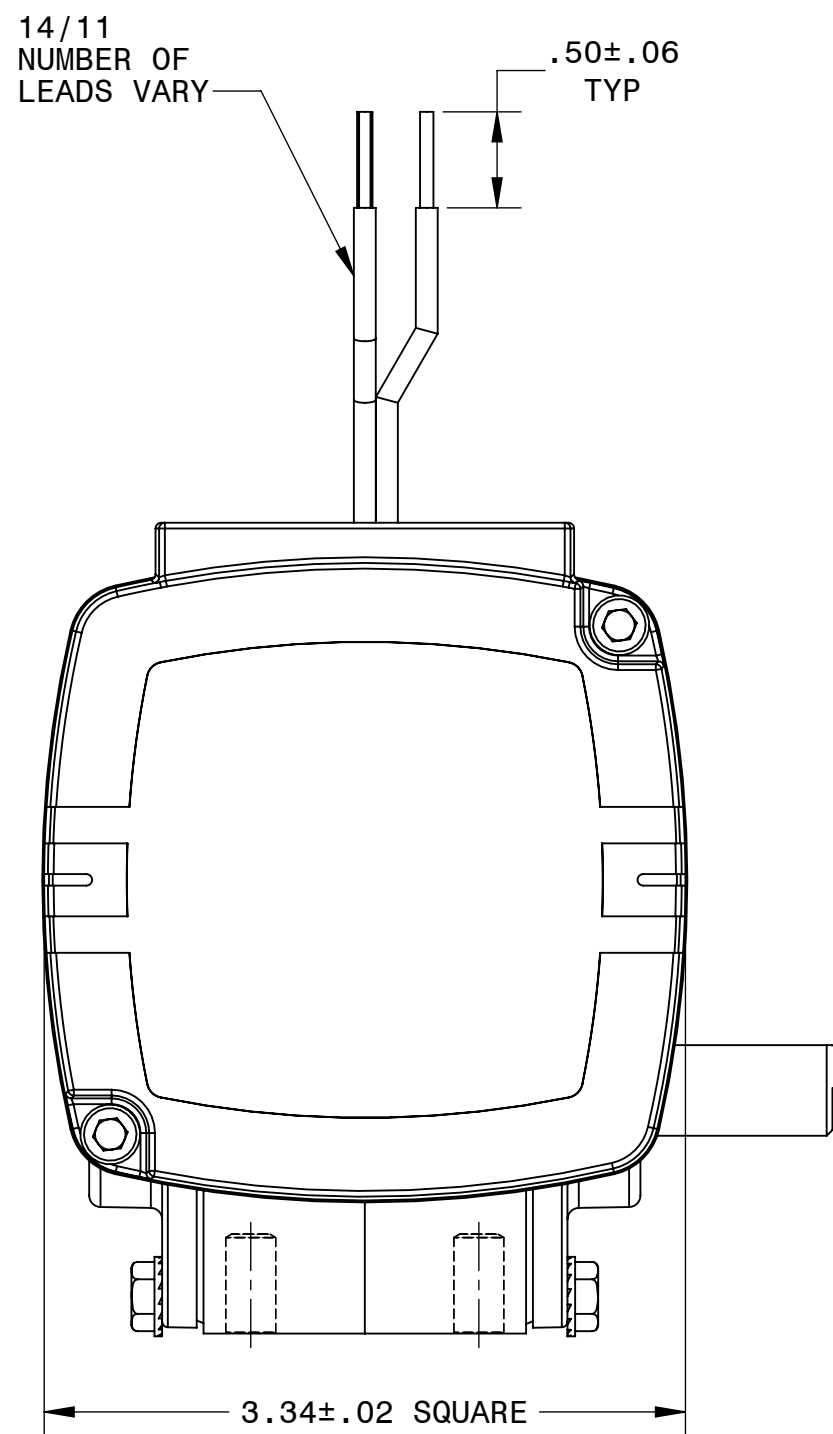


DESCRIPTION:
GEARMOTOR 30R4BEPP-3N

SHEET: 1/1
SCALE: 1:1
C
UNLESS OTHERWISE SPECIFIED:
UNITS ARE IN INCHES [mm]
TOLERANCES: .XX:±.01 .XXX:±.005
ANGLES: X°:±3° X.X°:±0.5°



REPRESENTATIVE OF MODEL NUMBER(S):
2290 2292 2293 2294 2296 2297

