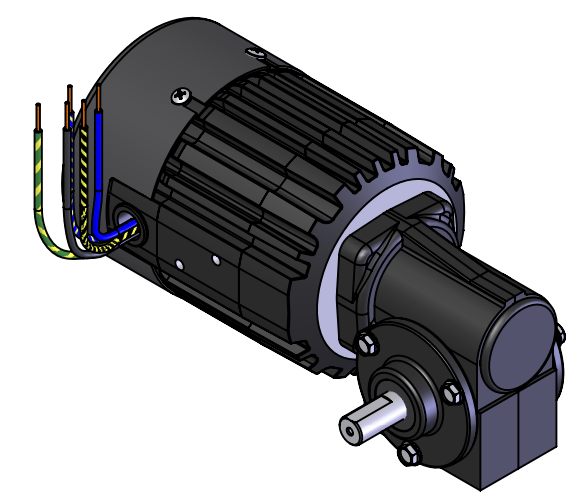
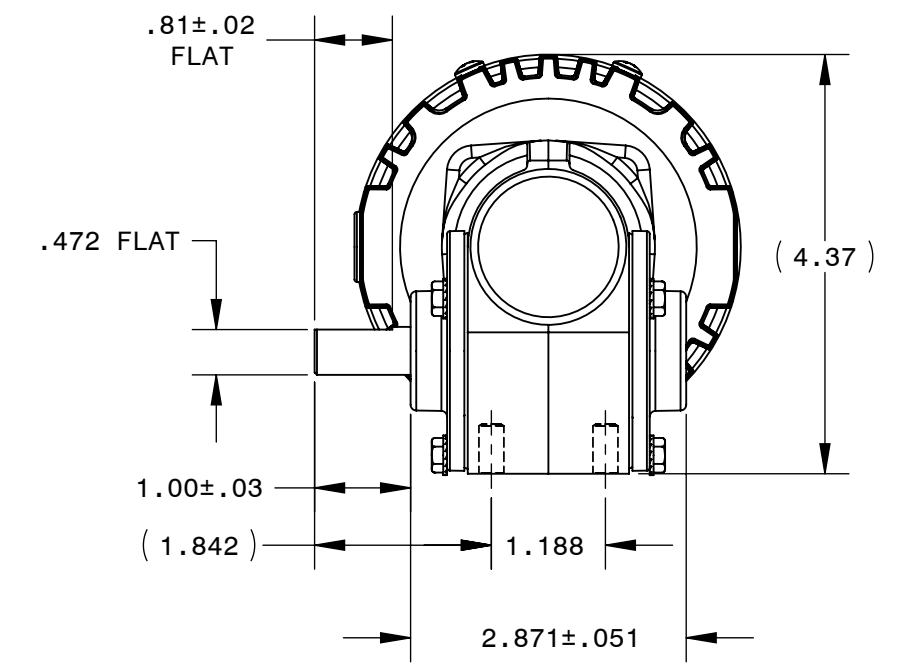
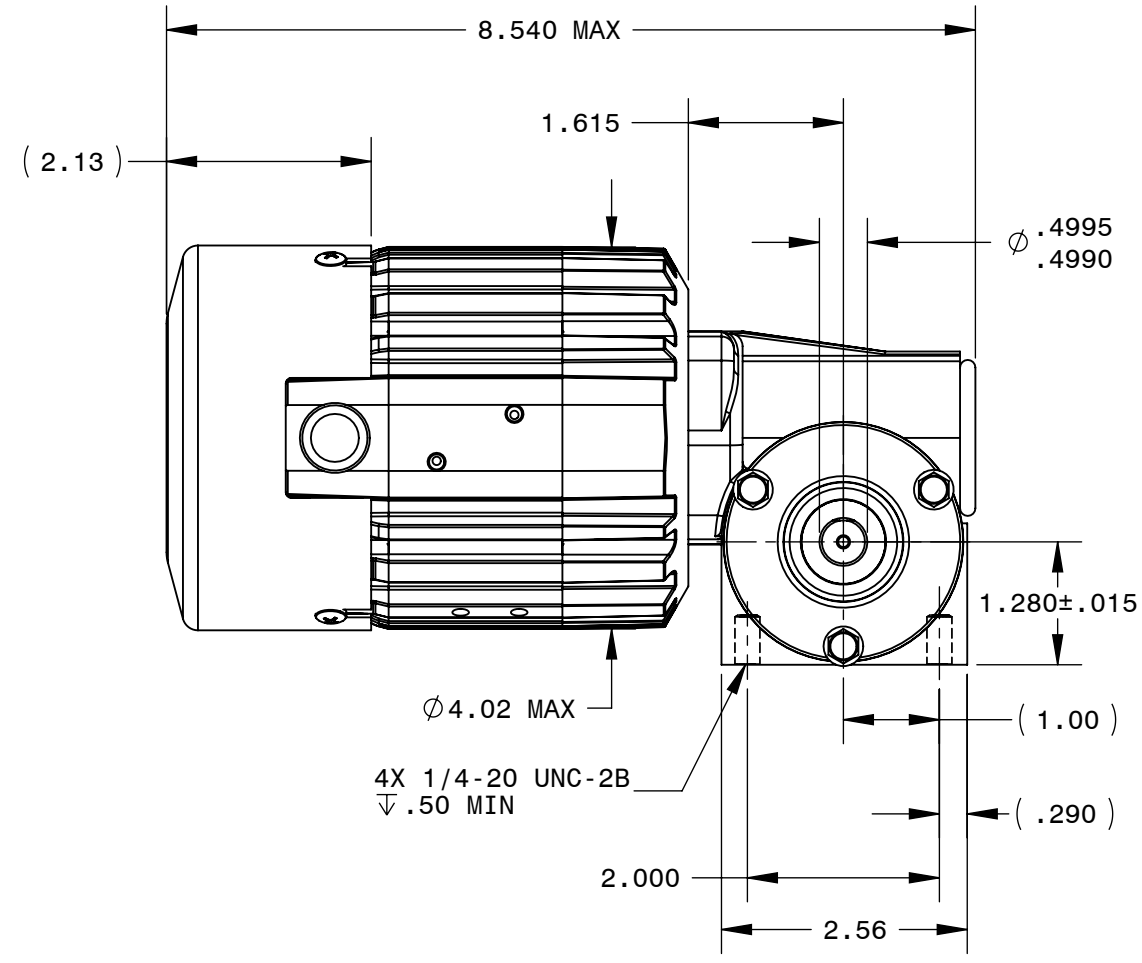
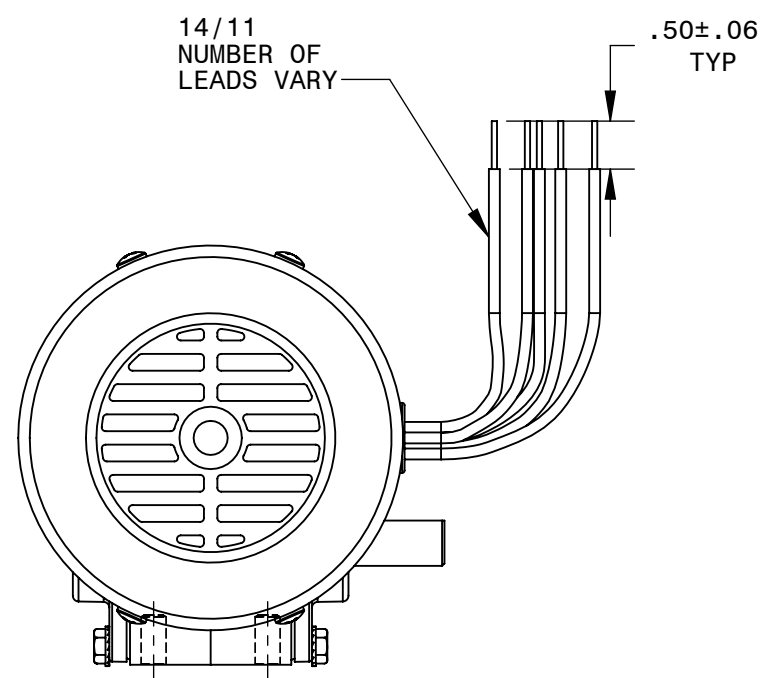
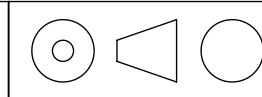


BODINE ELECTRIC COMPANY

PART NO./REV: INFM0142 A	
DESCRIPTION: GEARMOTOR 34R4BF-3F	
SHEET: 1/1	UNLESS OTHERWISE SPECIFIED:
SCALE: 1:2	UNITS ARE IN INCHES [mm]
B	TOLERANCES: .XX:±.01 .XXX:±.005 ANGLES: X°:±3° X.X°:±0.5°



REPRESENTATIVE OF MODEL NUMBER(S):
0487 0488 0489 0490 0491 0492