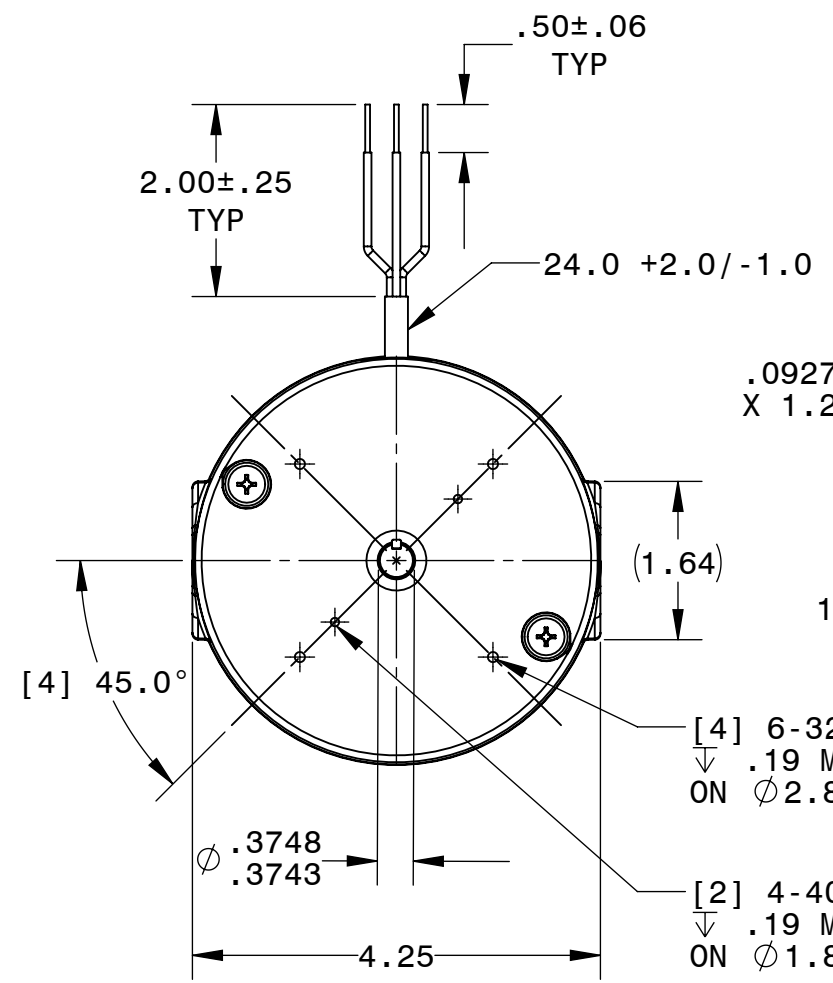
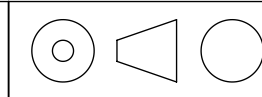


BODINE ELECTRIC COMPANY

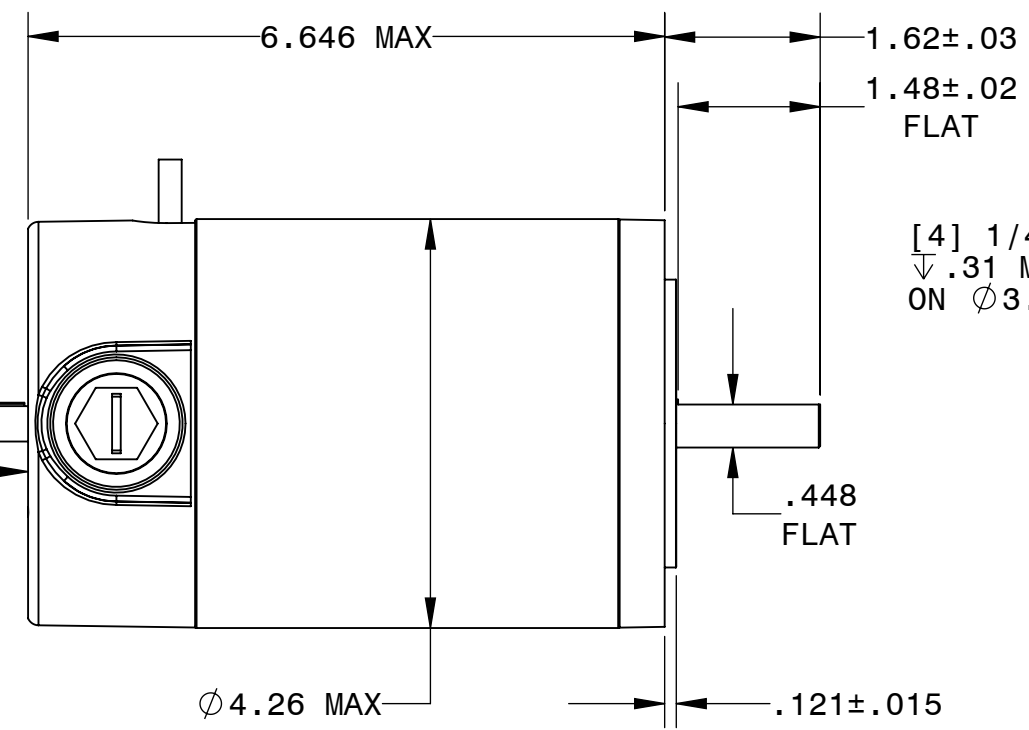
PART NO./REV:	INFM0148	B
DESCRIPTION:	MOTOR 42A5FEPM NEMA 42C	
SHEET:	UNLESS OTHERWISE SPECIFIED:	
Sheet1	UNITS ARE IN INCHES [mm]	
SCALE:	TOLERANCES: .XX:±.01 .XXX:±.005	
1:2	ANGLES: X°:±3° X.X°:±0.5°	
B		



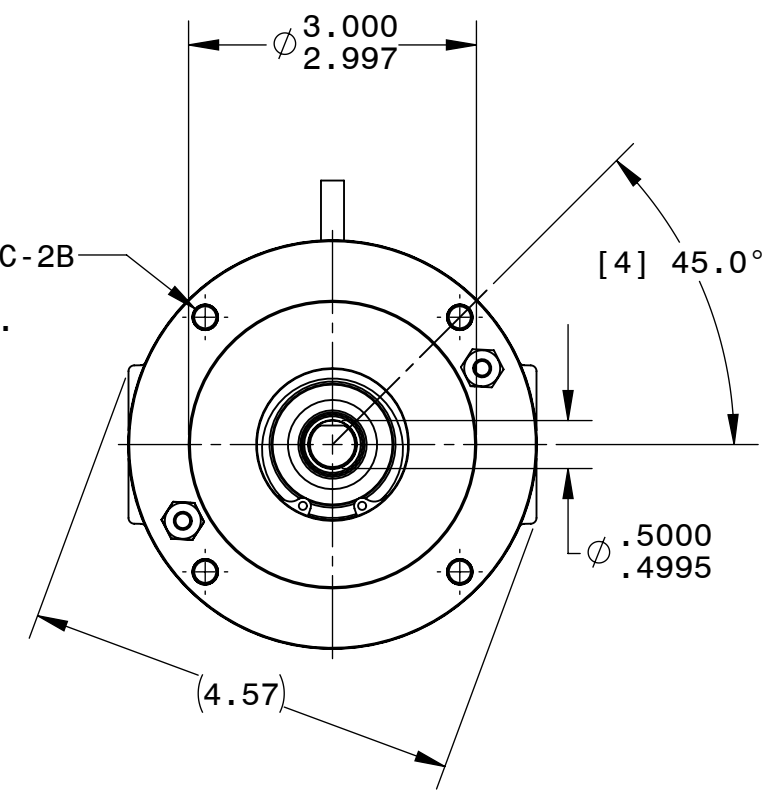
.0927±.0010 SQ
X 1.25 KEY

[4] 6-32 UNC-2B
↓ .19 MAX
ON Ø2.844 B.C.

[2] 4-40 UNC-2B
↓ .19 MAX
ON Ø1.812 B.C.



[4] 1/4-20 UNC-2B
↓ .31 MIN
ON Ø3.75 B.C.



REPRESENTATIVE OF MODEL NUMBER(S):
4421 4435

