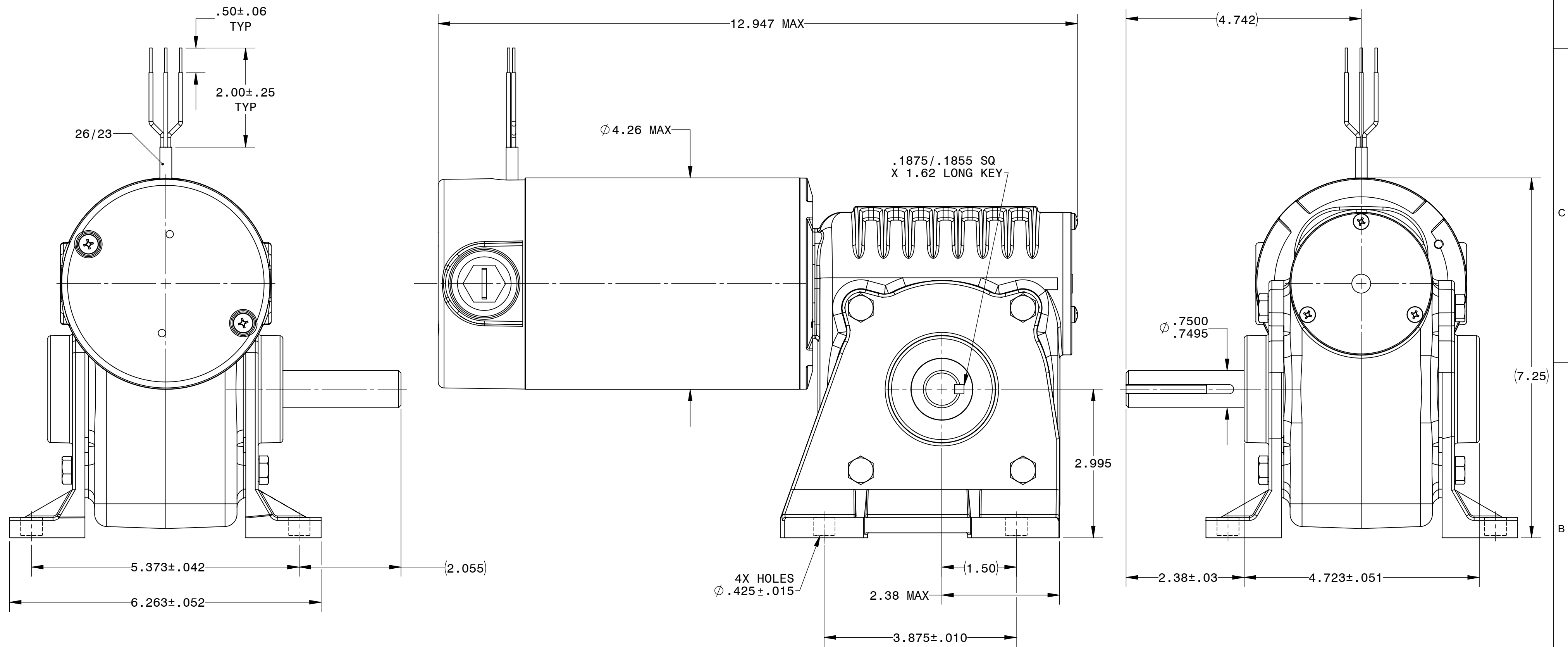


DESCRIPTION:
GEARMOTOR 42A7BEPM-5H

SHEET: 1/1
SCALE: 2:3
C

UNLESS OTHERWISE SPECIFIED:
UNITS ARE IN INCHES [mm]
TOLERANCES: .XX:±.01 .XXX:±.005
ANGLES: X°:±3° X.X°:±0.5°



REPRESENTATIVE OF MODEL NUMBER(S):
4194 4196 4198 4199 4726 4727 4728 4729

