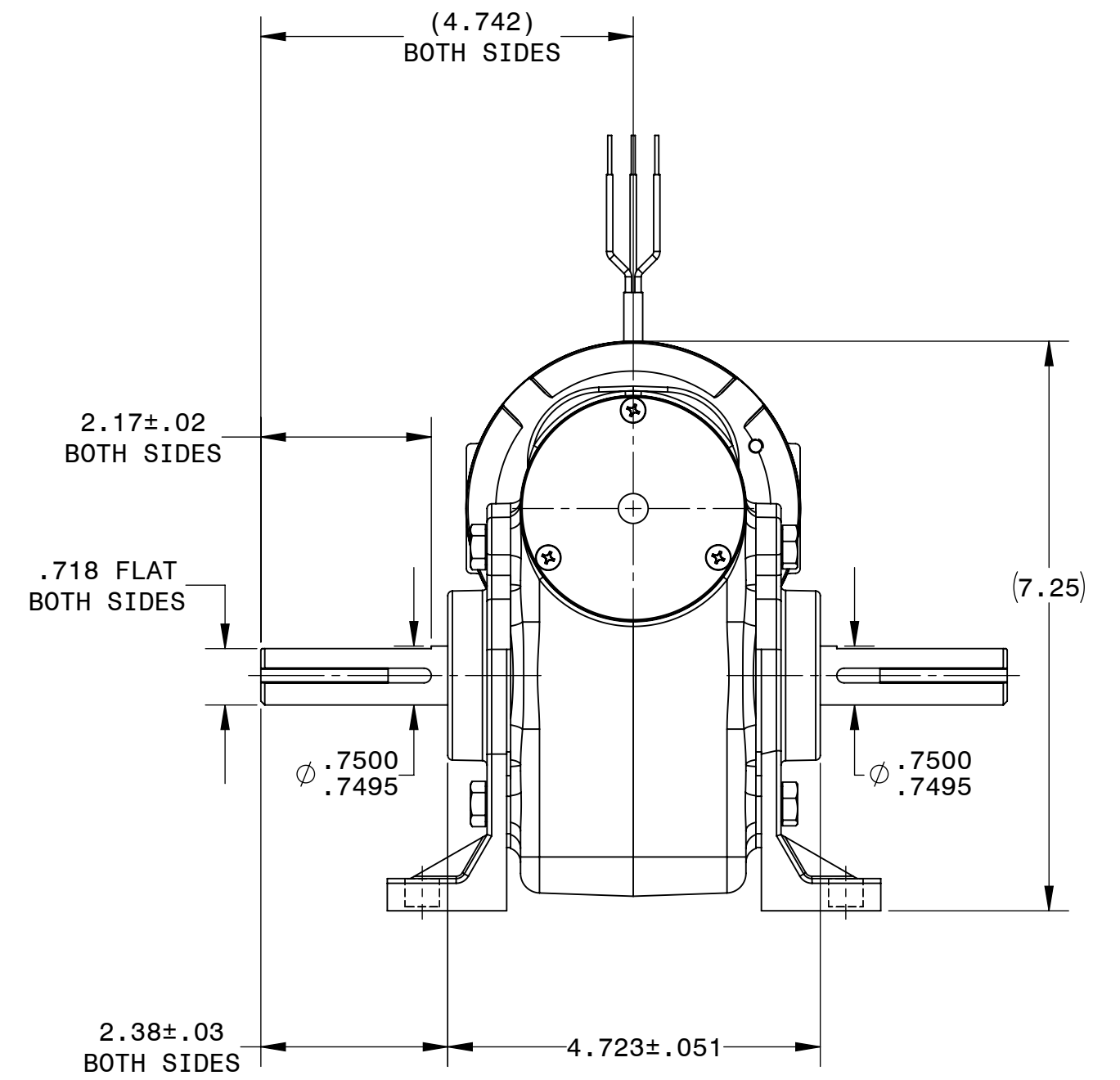
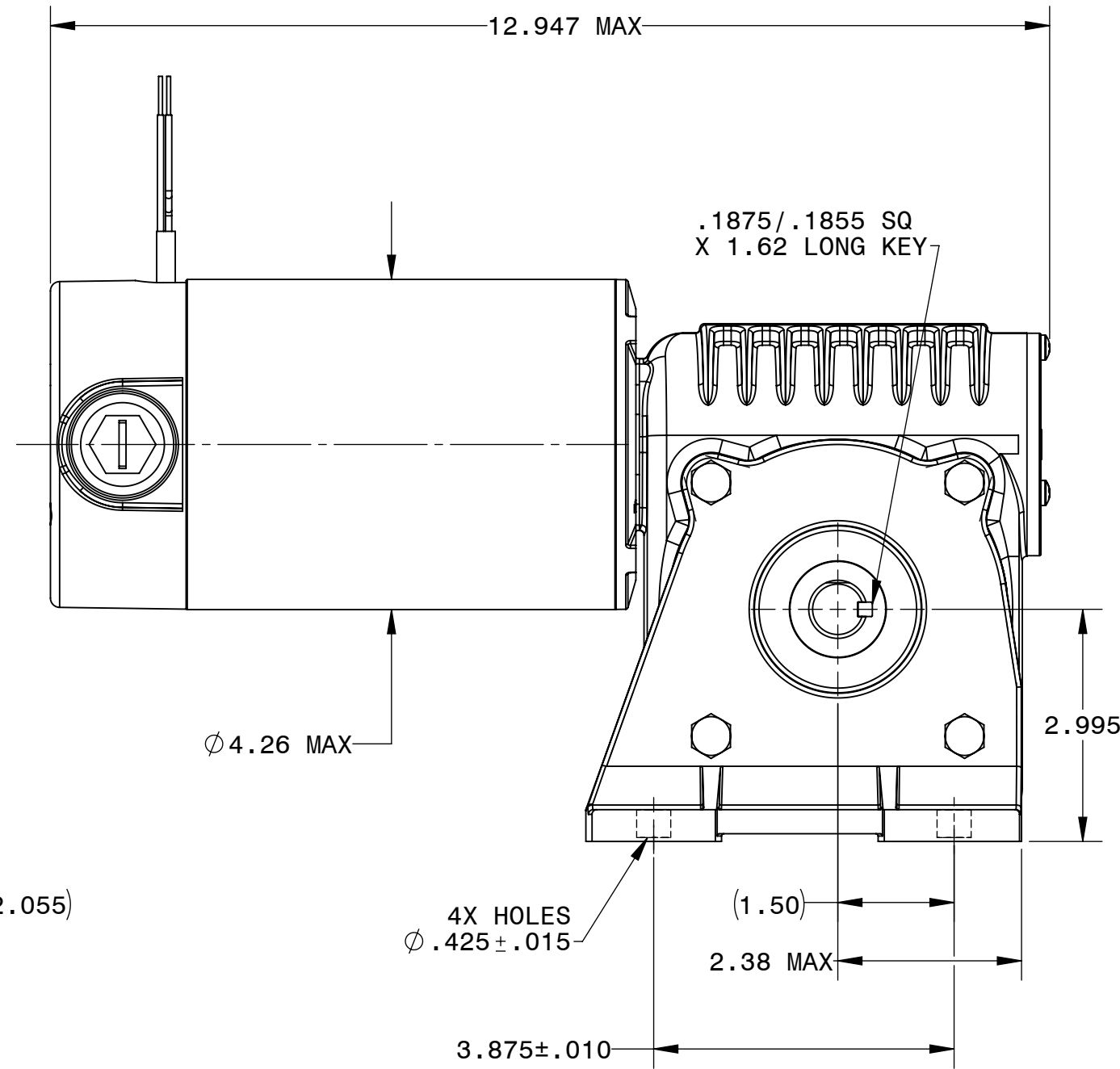
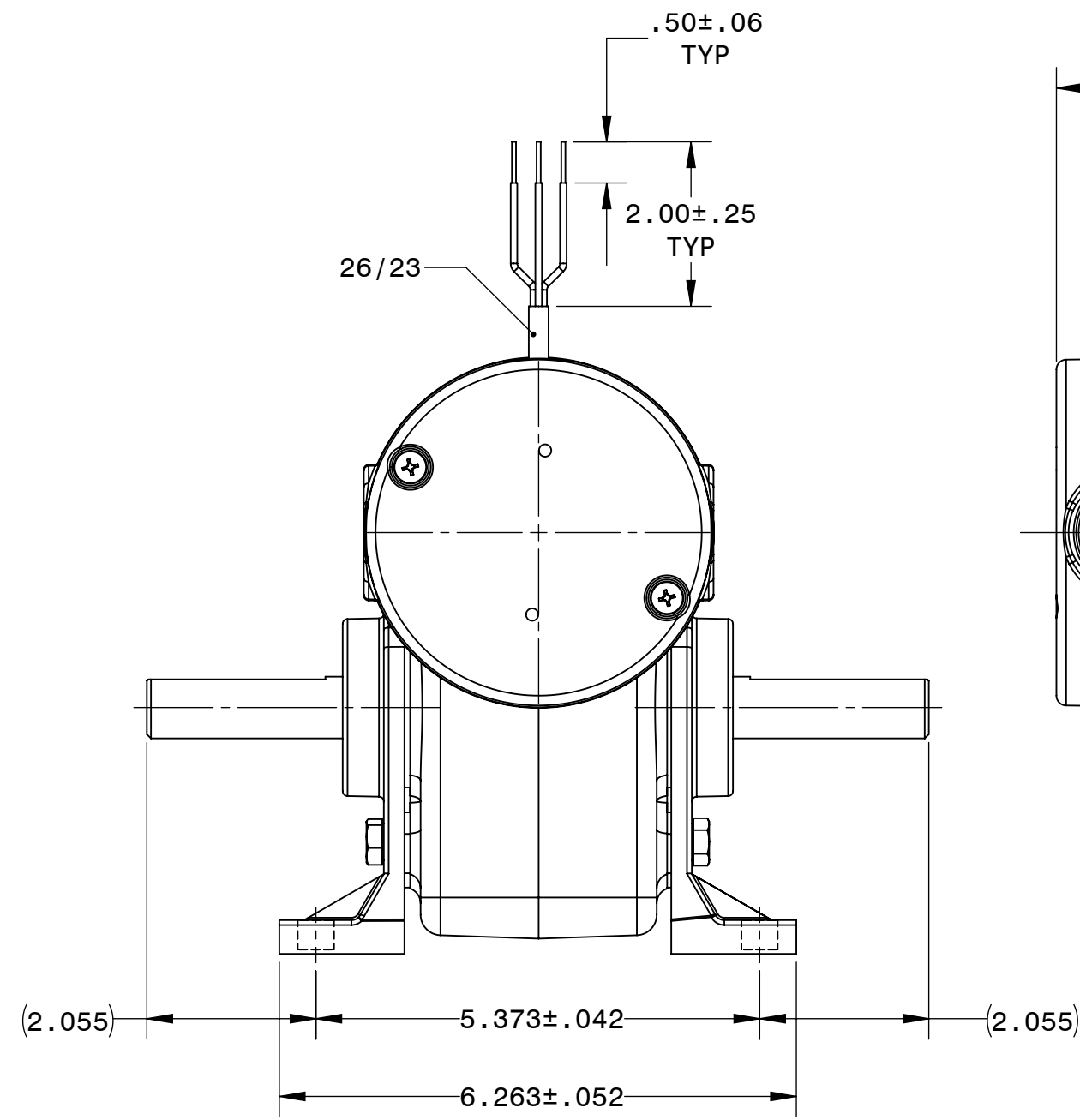




DESCRIPTION:
GEARMOTOR 42A7BEPM-5H

SHEET: 1/1	UNLESS OTHERWISE SPECIFIED:
SCALE: 2:3	UNITS ARE IN INCHES [mm]
C	TOLERANCES: .XX:±.01 .XXX:±.005
	ANGLES: X°:±3° X.X°:±0.5°



REPRESENTATIVE OF MODEL NUMBER(S):
 4100 4101 4102 4103 4730 4731 4732 4733

