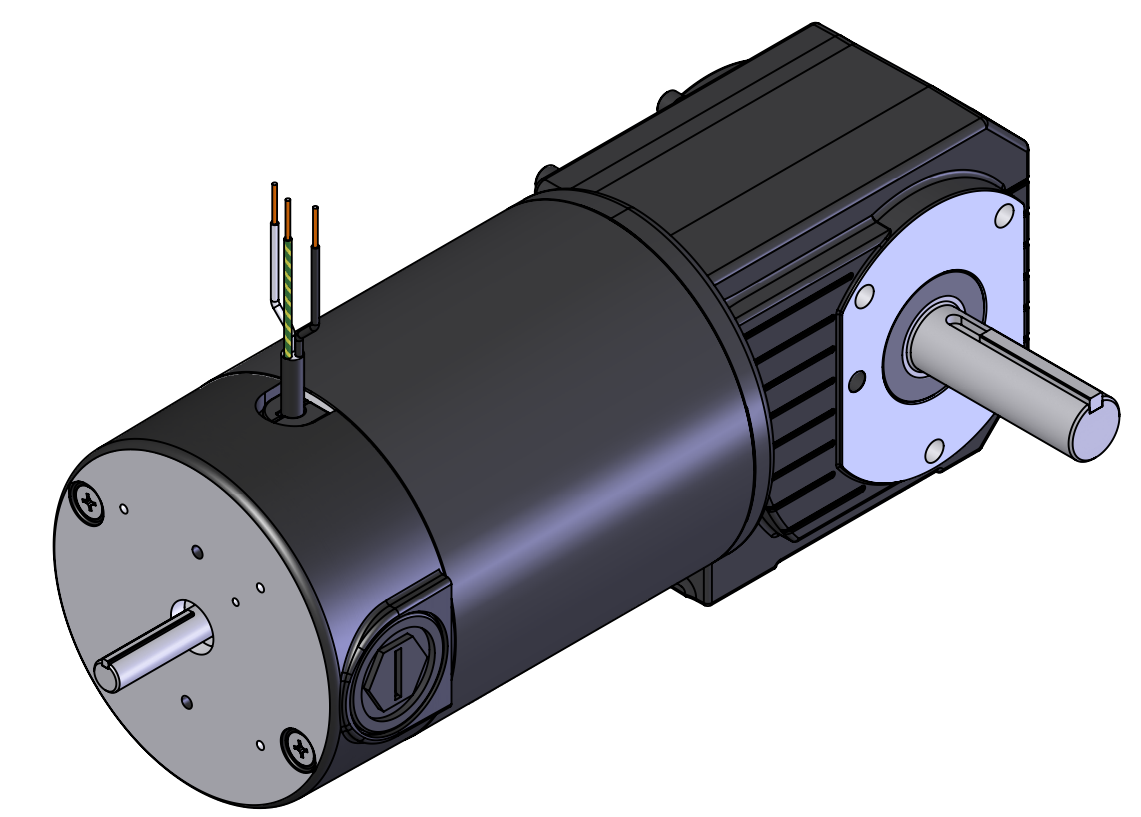
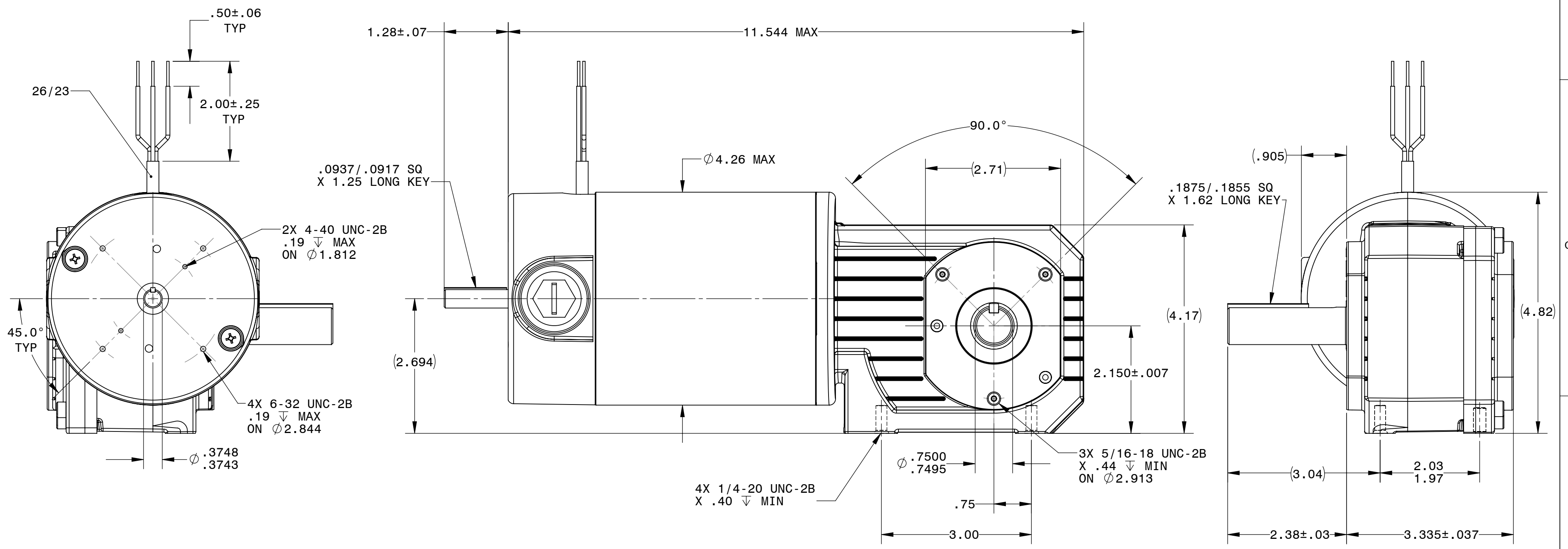


DESCRIPTION:
GEARMOTOR 42A5FEPM-GB

SHEET: 1/1	UNLESS OTHERWISE SPECIFIED:
SCALE: 2:3	UNITS ARE IN INCHES [mm]
C	TOLERANCES: .XX:±.01 .XXX:±.005
	ANGLES: X°:±3° X.X°:±0.5°



REPRESENTATIVE OF MODEL NUMBER(S):
4460 4462 4464 4466 4860 4862 4864 4866