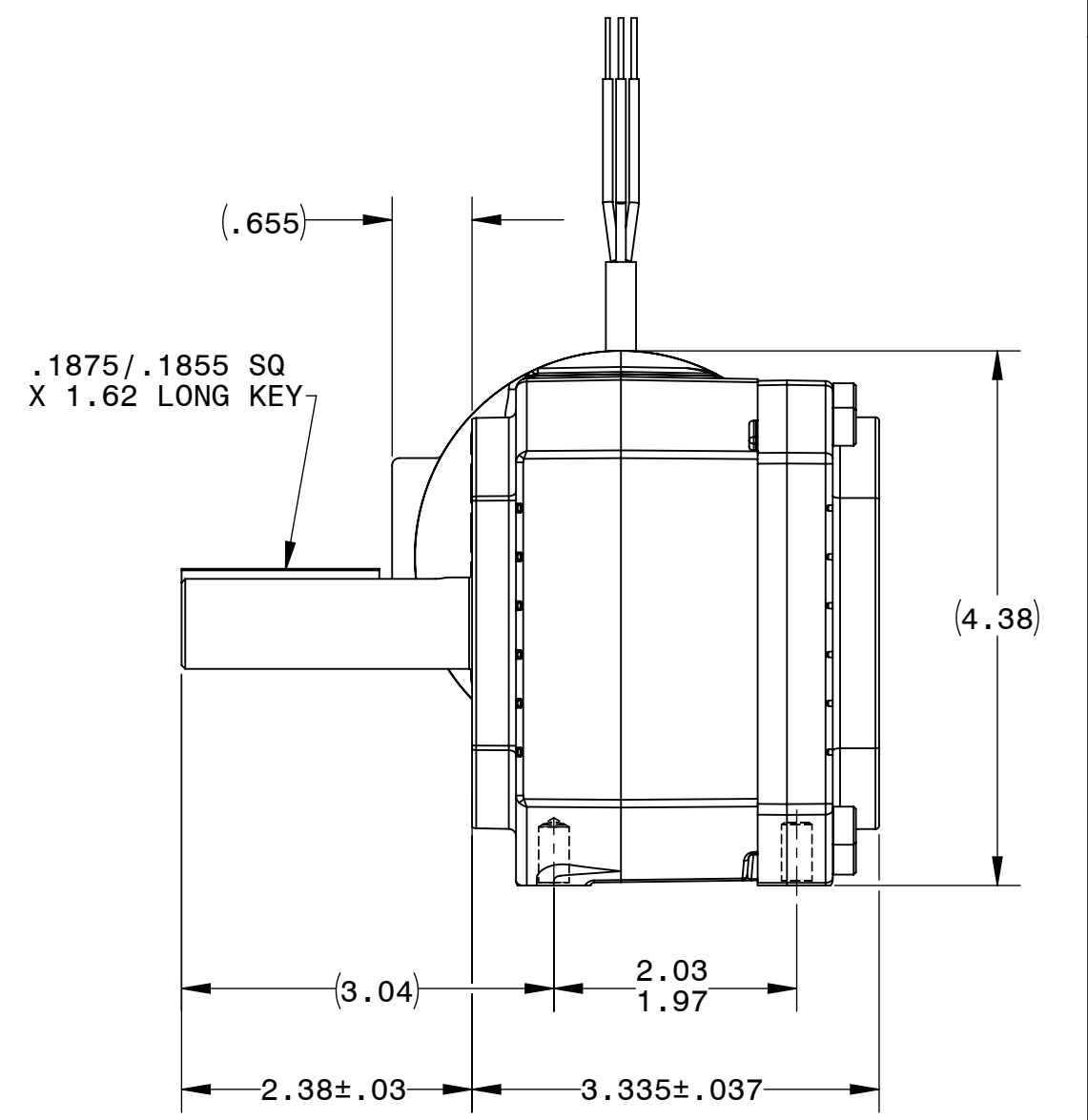
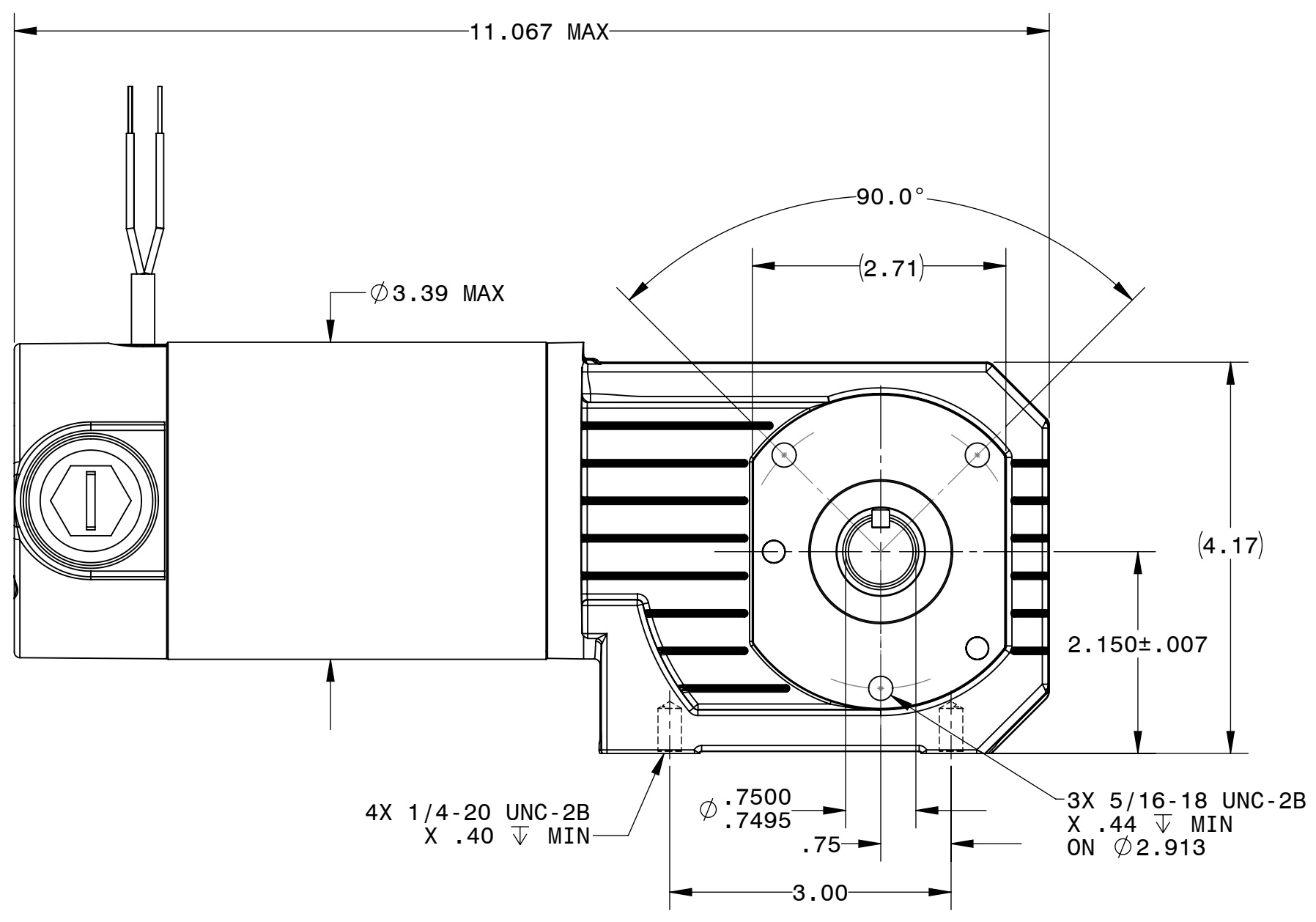
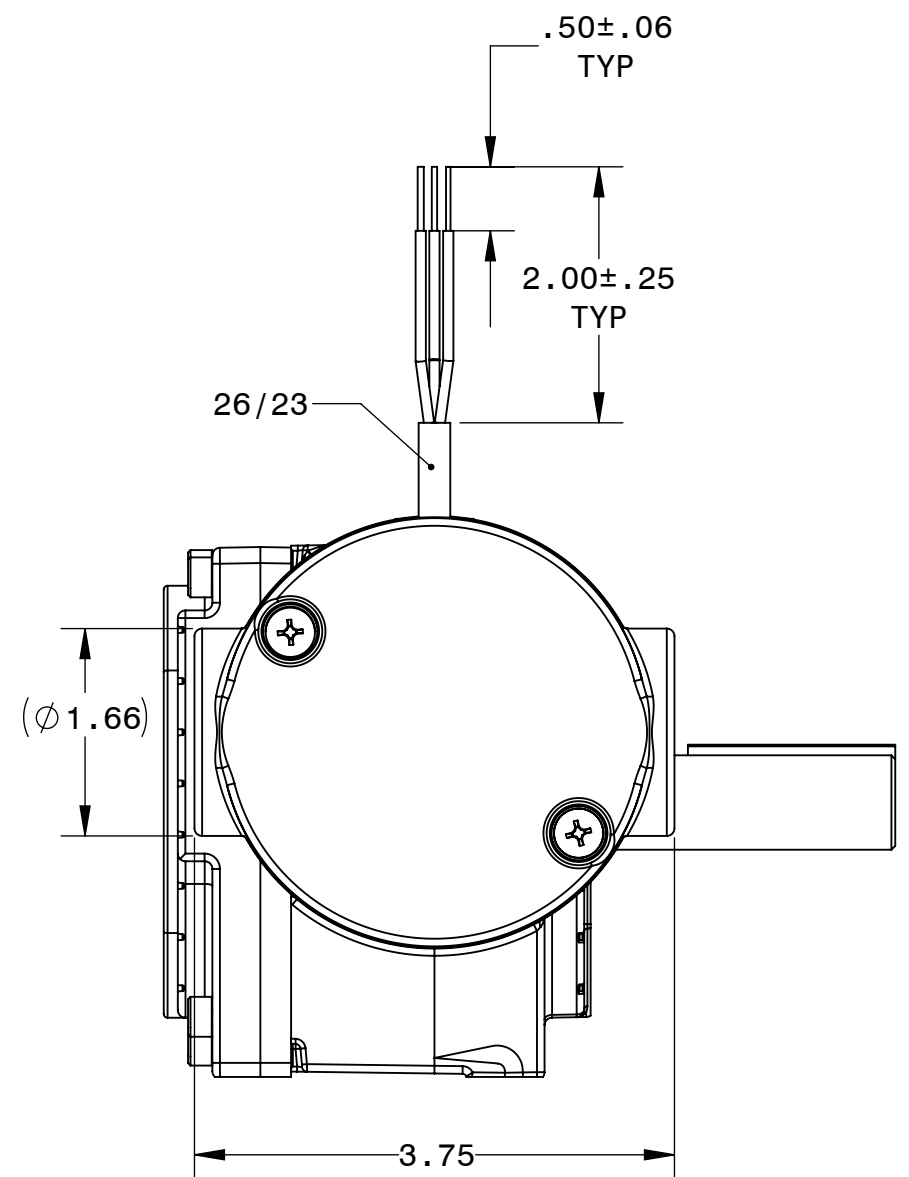


DESCRIPTION:
GEARMOTOR 33A5BEPM-GB

SHEET: 1/1
SCALE: 2:3
C
UNLESS OTHERWISE SPECIFIED:
UNITS ARE IN INCHES [mm]
TOLERANCES: .XX:±.01 .XXX:±.005
ANGLES: X°:±3° X.X°:±0.5°



REPRESENTATIVE OF MODEL NUMBER(S):
6060 6062 6064 6066 6762

