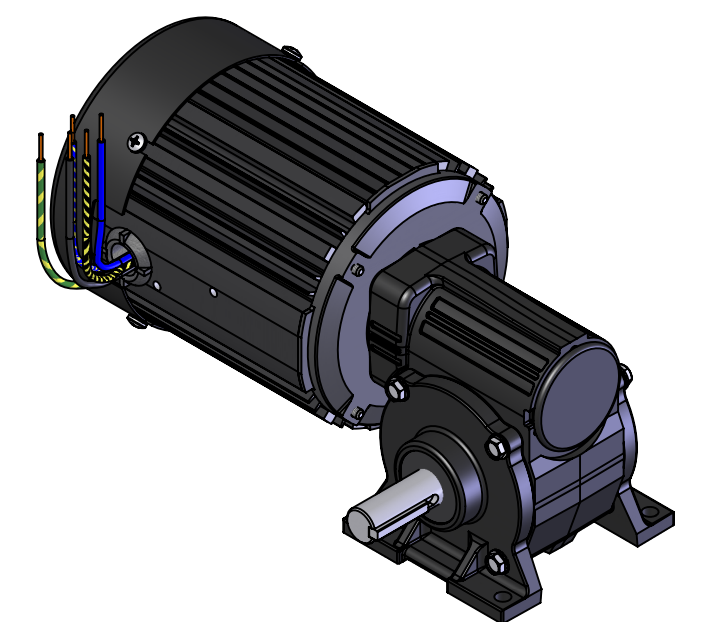
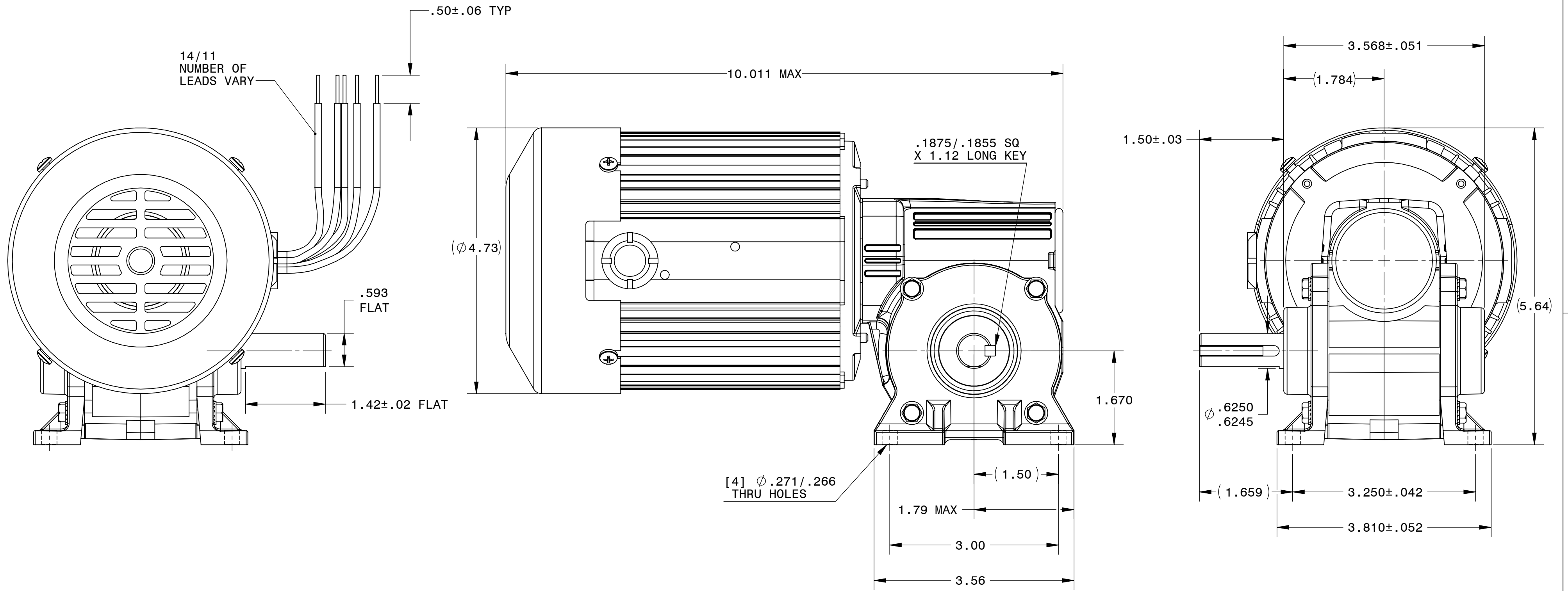
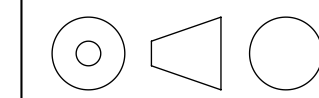


DESCRIPTION:
GEARMOTOR 42R5BFPP/SI/CI-5N

SHEET:	1/1	UNLESS OTHERWISE SPECIFIED:
SCALE:	3:4	UNITS ARE IN INCHES [mm]
C		TOLERANCES: .XX:±.01 .XXX:±.005
		ANGLES: X°:±3° X.X°:±0.5°



REPRESENTATIVE OF MODEL NUMBER(S):

0629 0630 0633 0634 0645 0646 0647 0648 0670 0672 0677 0678