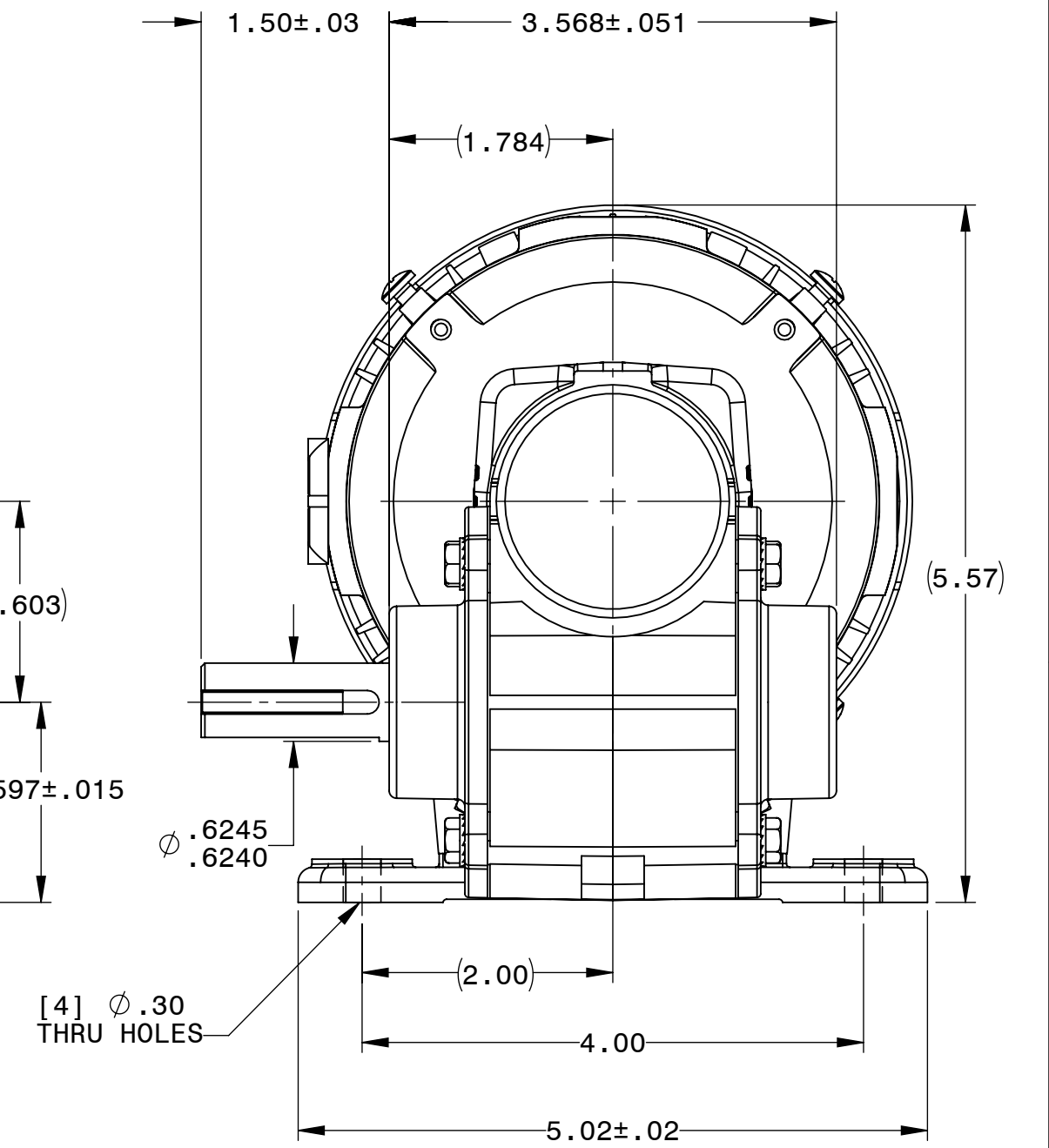
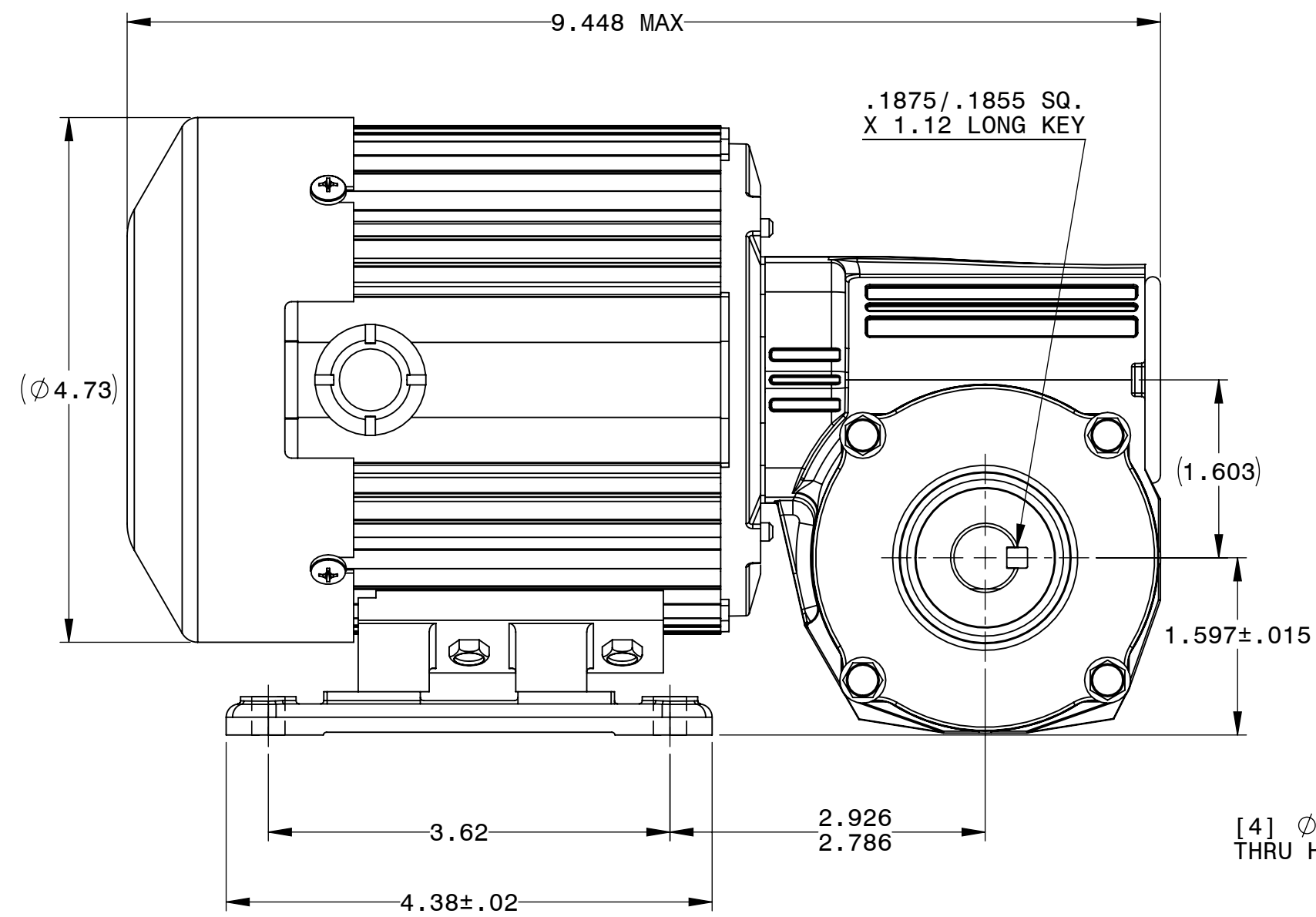
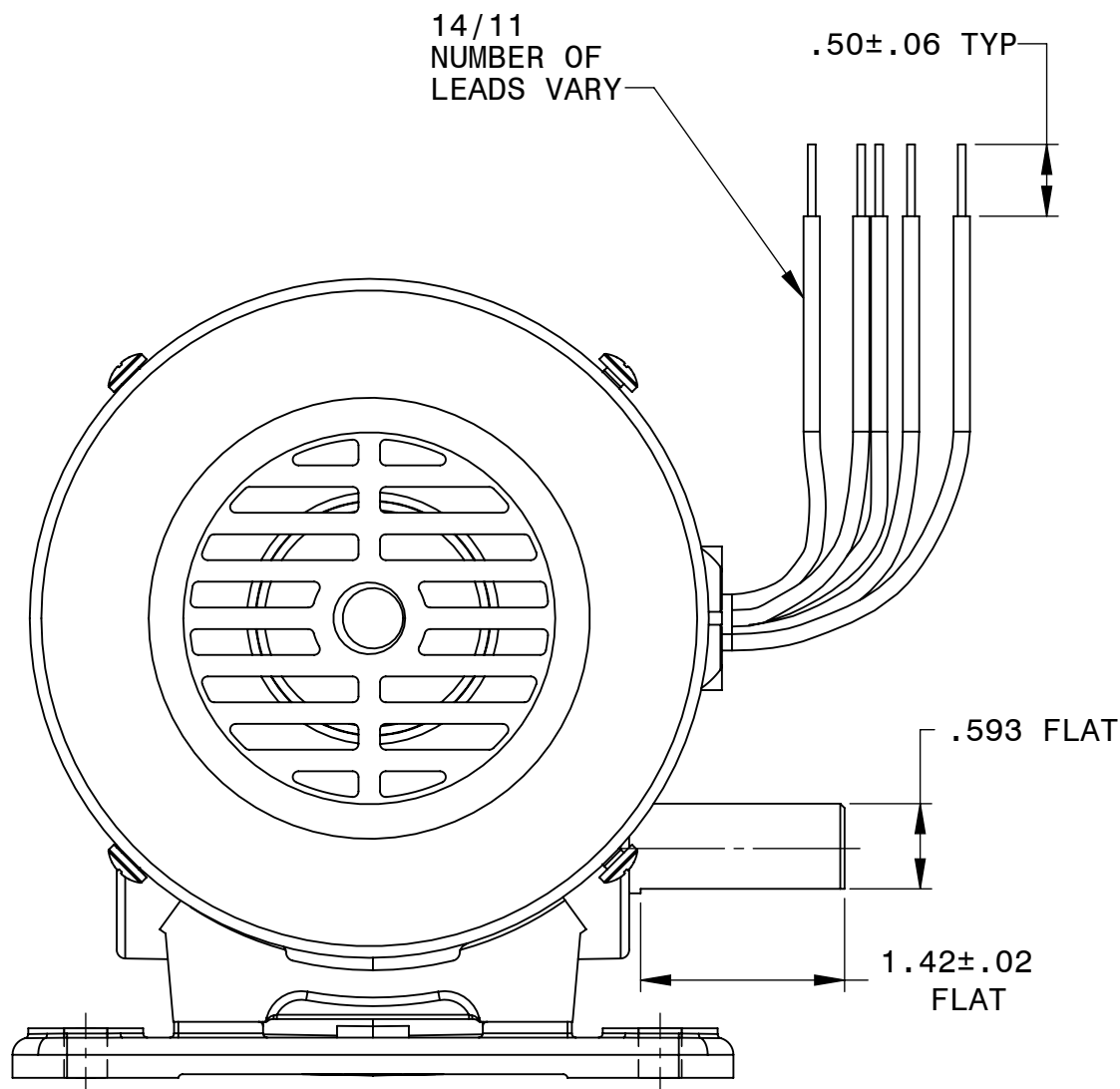




DESCRIPTION:
GEARMOTOR 42R4BFSI/CI-5L

SHEET:	1/1	UNLESS OTHERWISE SPECIFIED:
SCALE:	1:1	UNITS ARE IN INCHES [mm]
C		TOLERANCES: .XX:±.01 .XXX:±.005
		ANGLES: X°:±3° X.X°:±0.5°



REPRESENTATIVE OF MODEL NUMBER(S):
0617 0618 0619 0620 0623 0624 0626 0627

