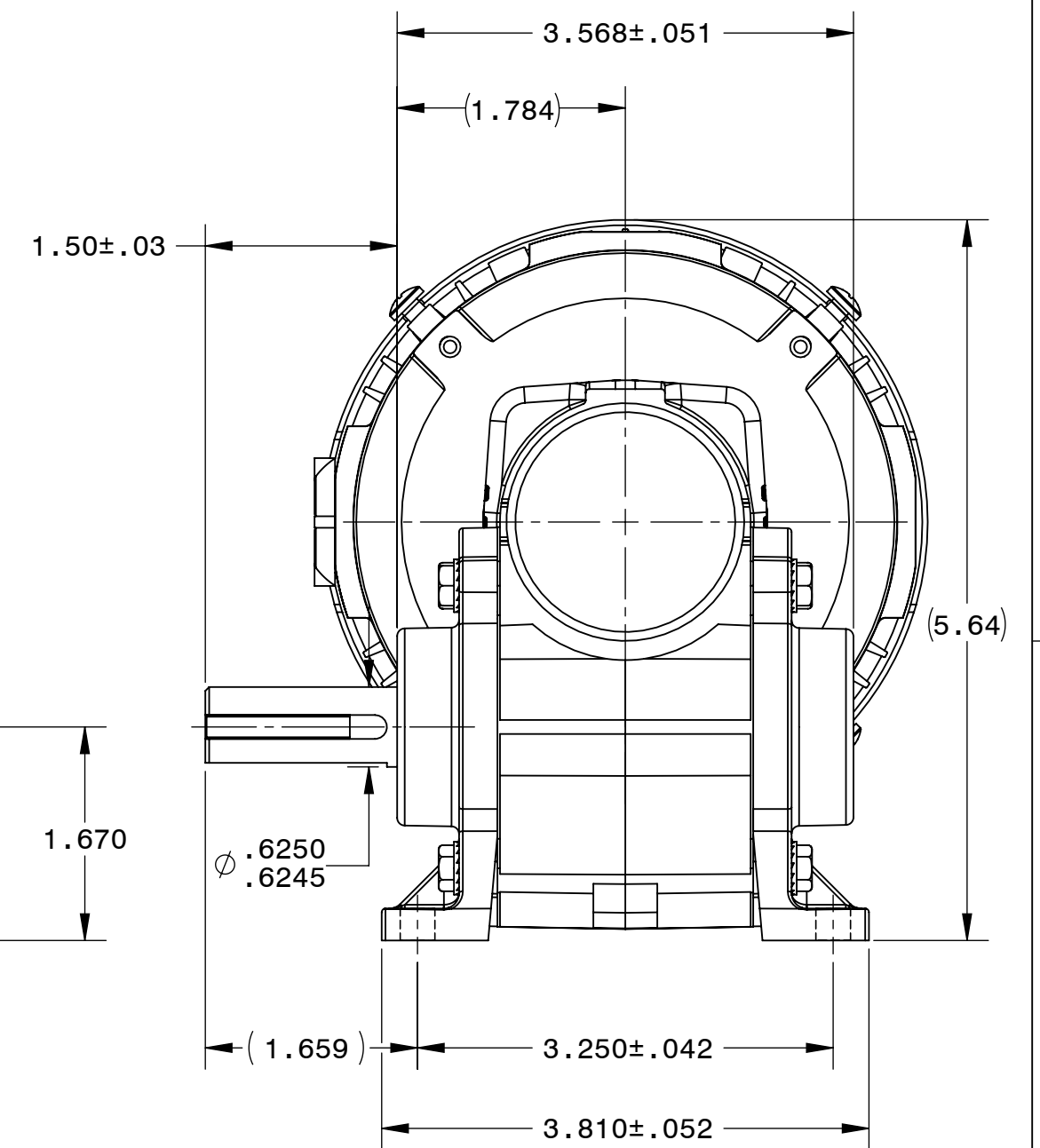
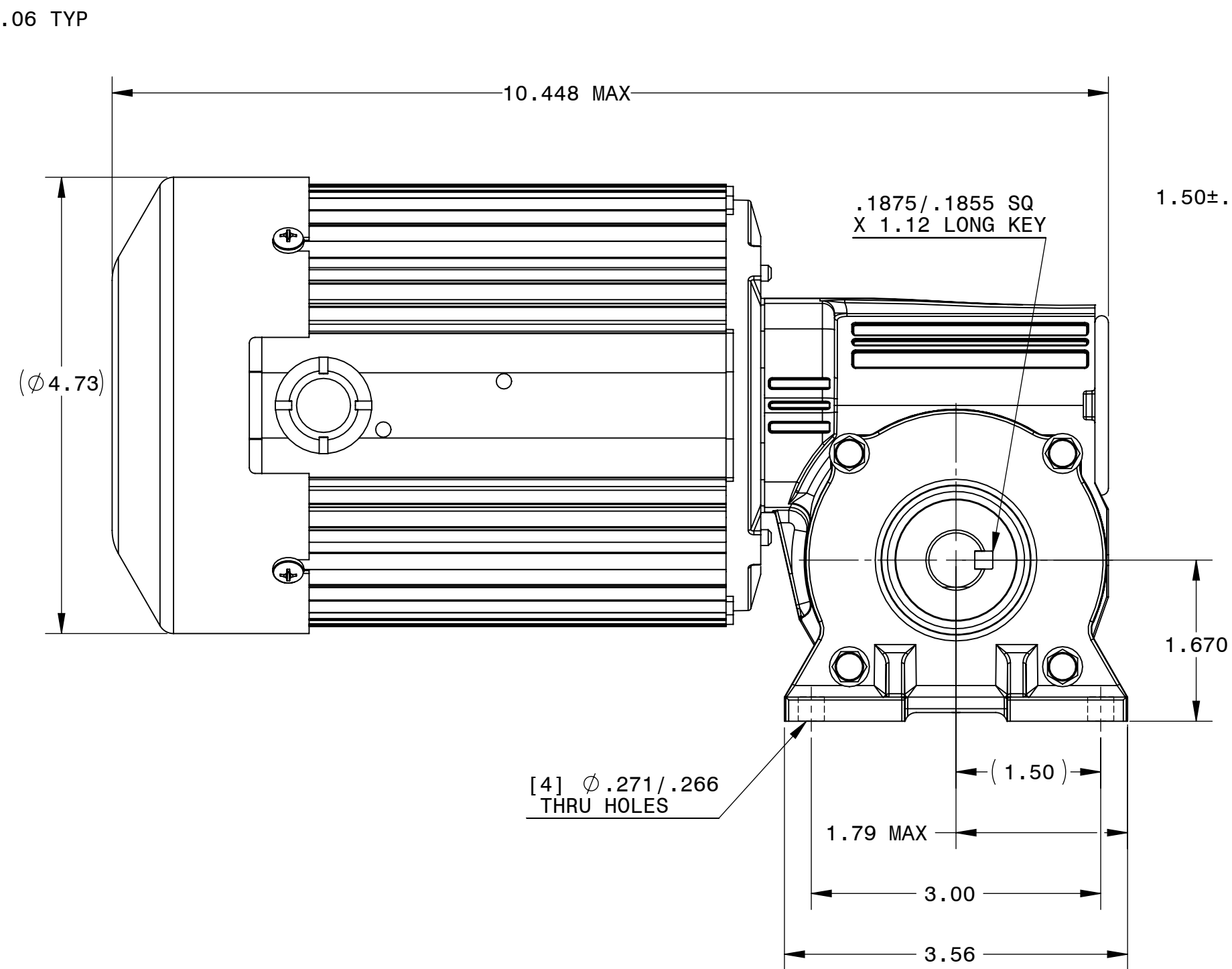
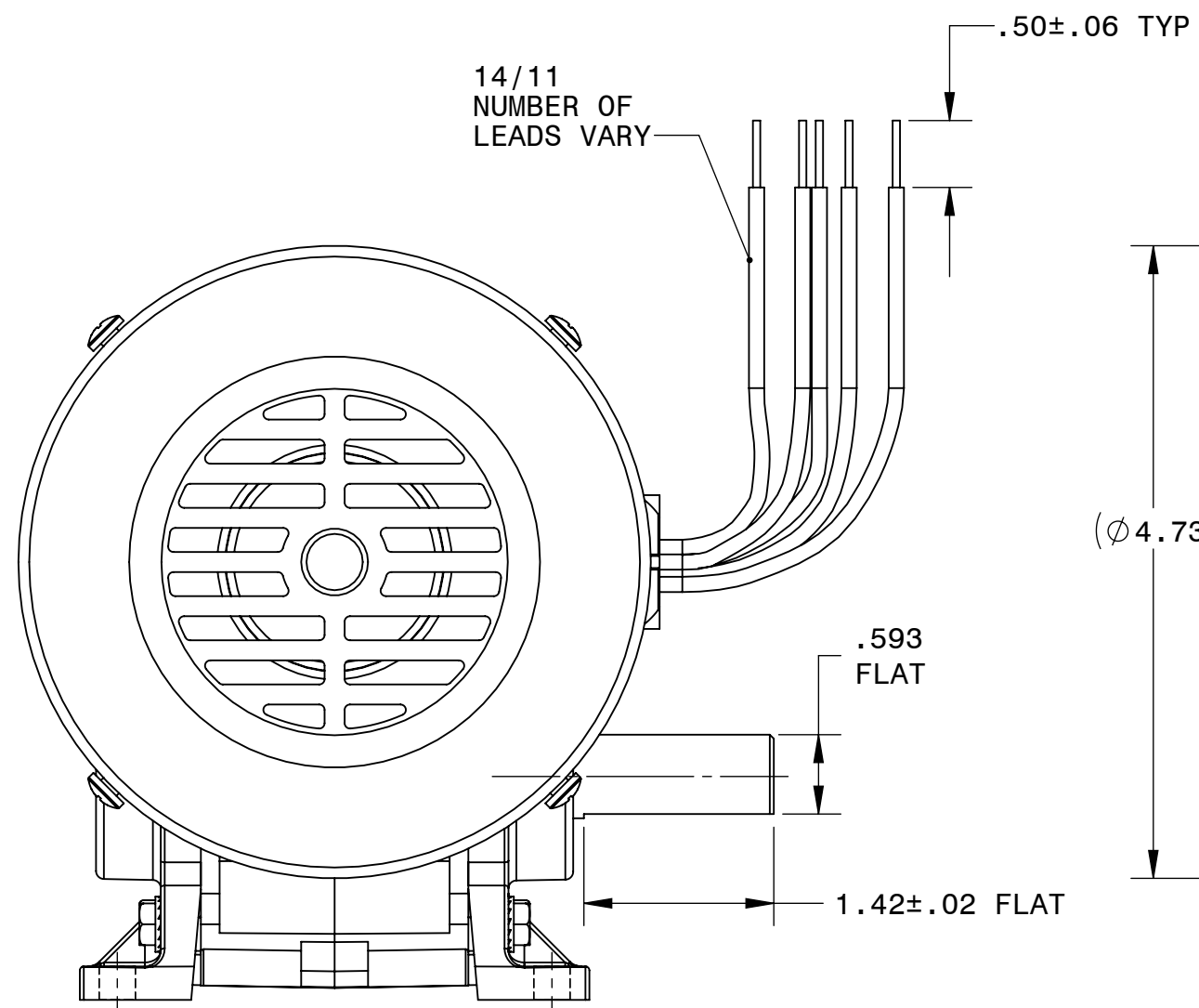




DESCRIPTION:
GEARMOTOR 42R6BFPP-5N

SHEET:	1/1	UNLESS OTHERWISE SPECIFIED:
SCALE:	3:4	UNITS ARE IN INCHES [mm]
C		TOLERANCES: .XX:±.01 .XXX:±.005
		ANGLES: X°:±3° X.X°:±0.5°



REPRESENTATIVE OF MODEL NUMBER(S):

2270 2271 2272 2273 2274 2275 2870 2871 2872 2873 2874 2875

