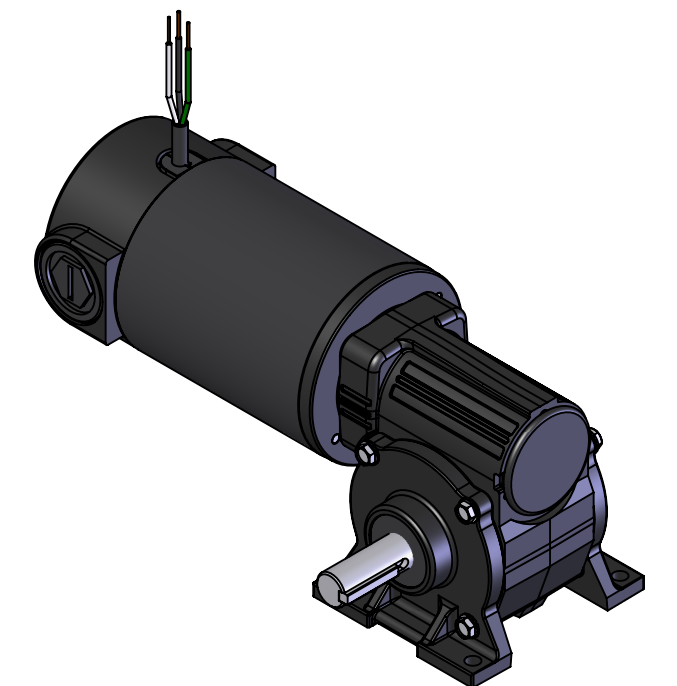
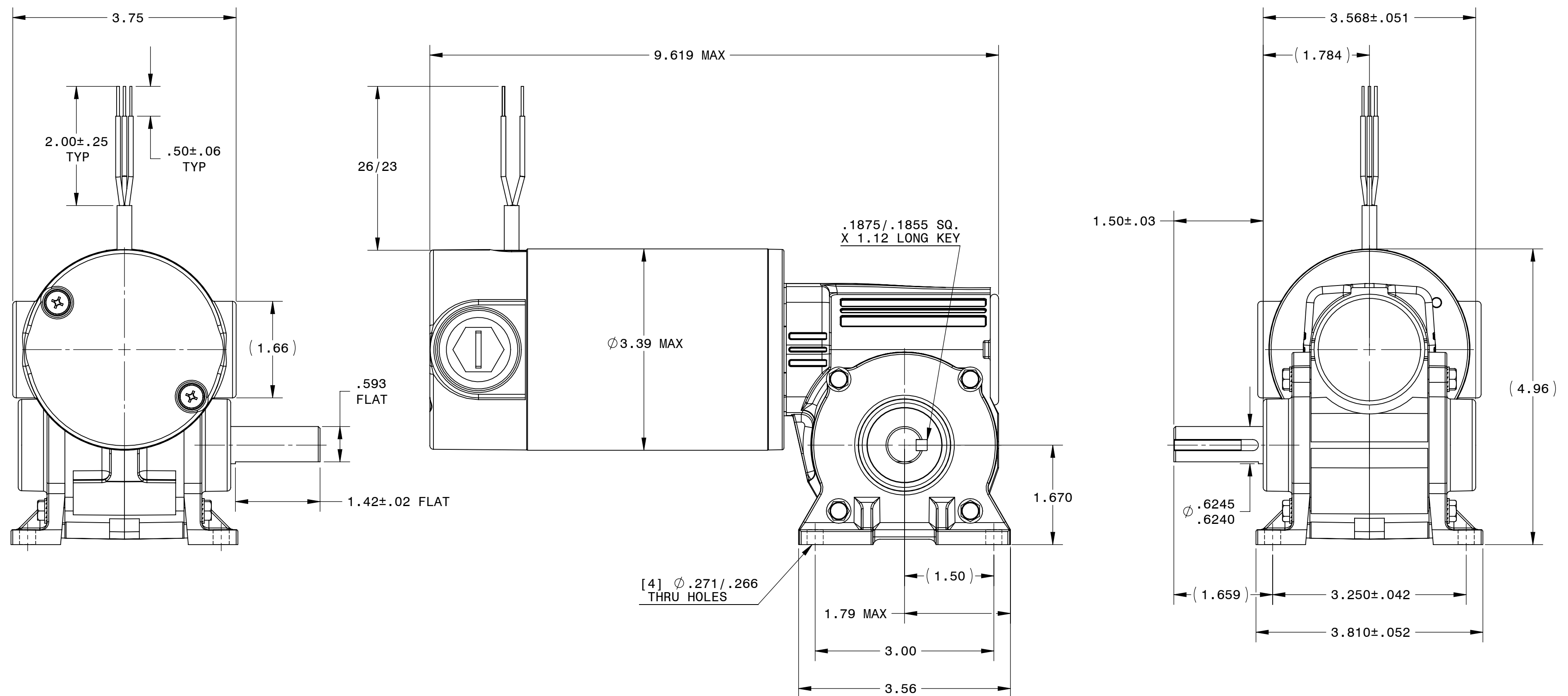




DESCRIPTION:
GEARMOTOR 33A5BEPM-5F

SHEET: 1/1
SCALE: 3:4
C
UNLESS OTHERWISE SPECIFIED:
UNITS ARE IN INCHES [mm]
TOLERANCES: .XX:±.01 .XXX:±.005
ANGLES: X°:±3° X.X°:±0.5°



REPRESENTATIVE OF MODEL NUMBER(S):
6115 6121 6122 6124 6140 6141 6142 6144