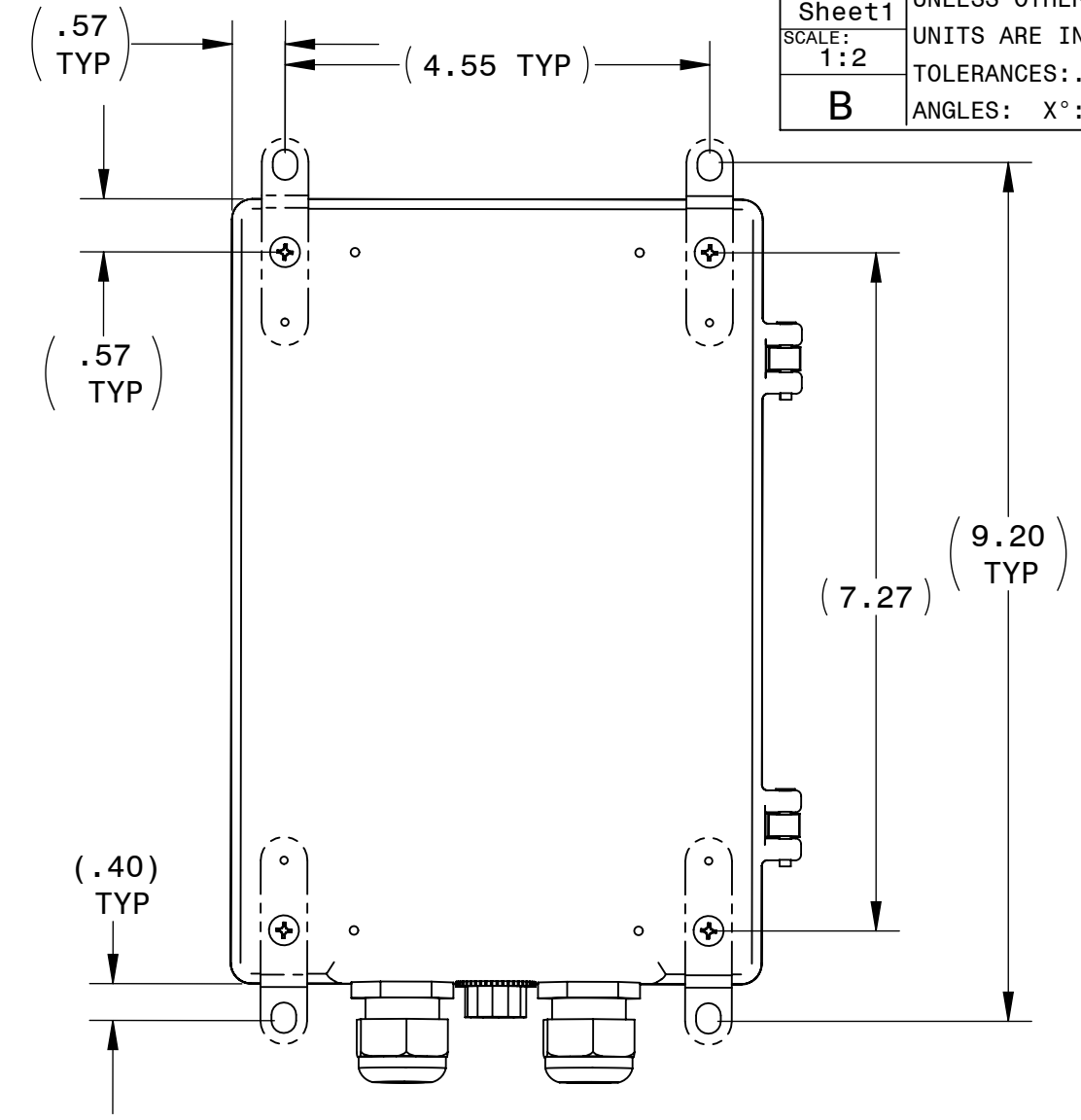
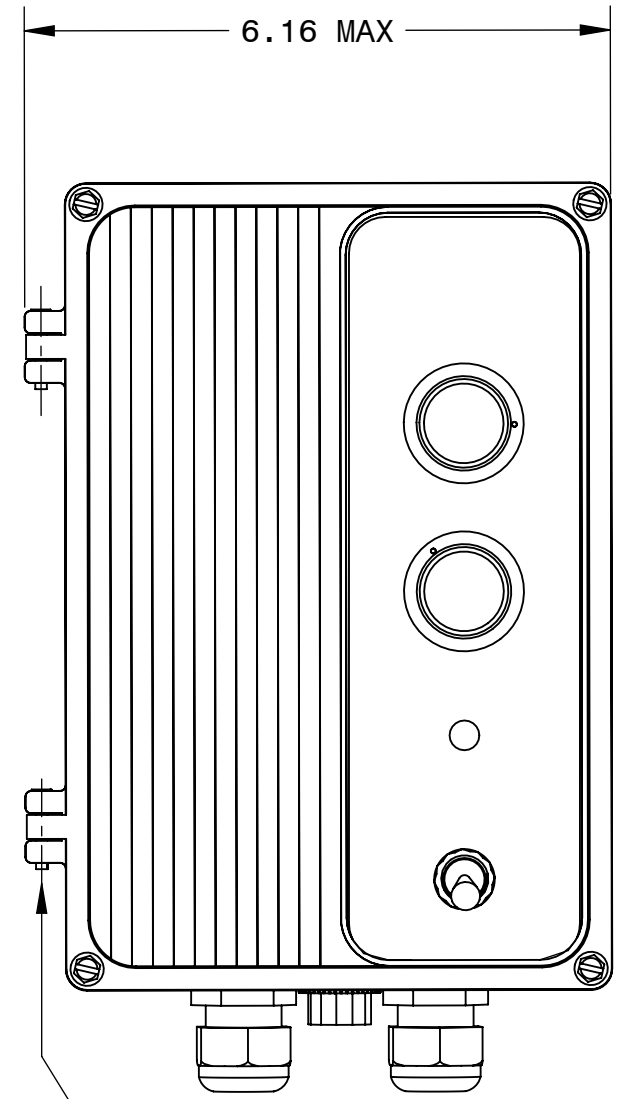
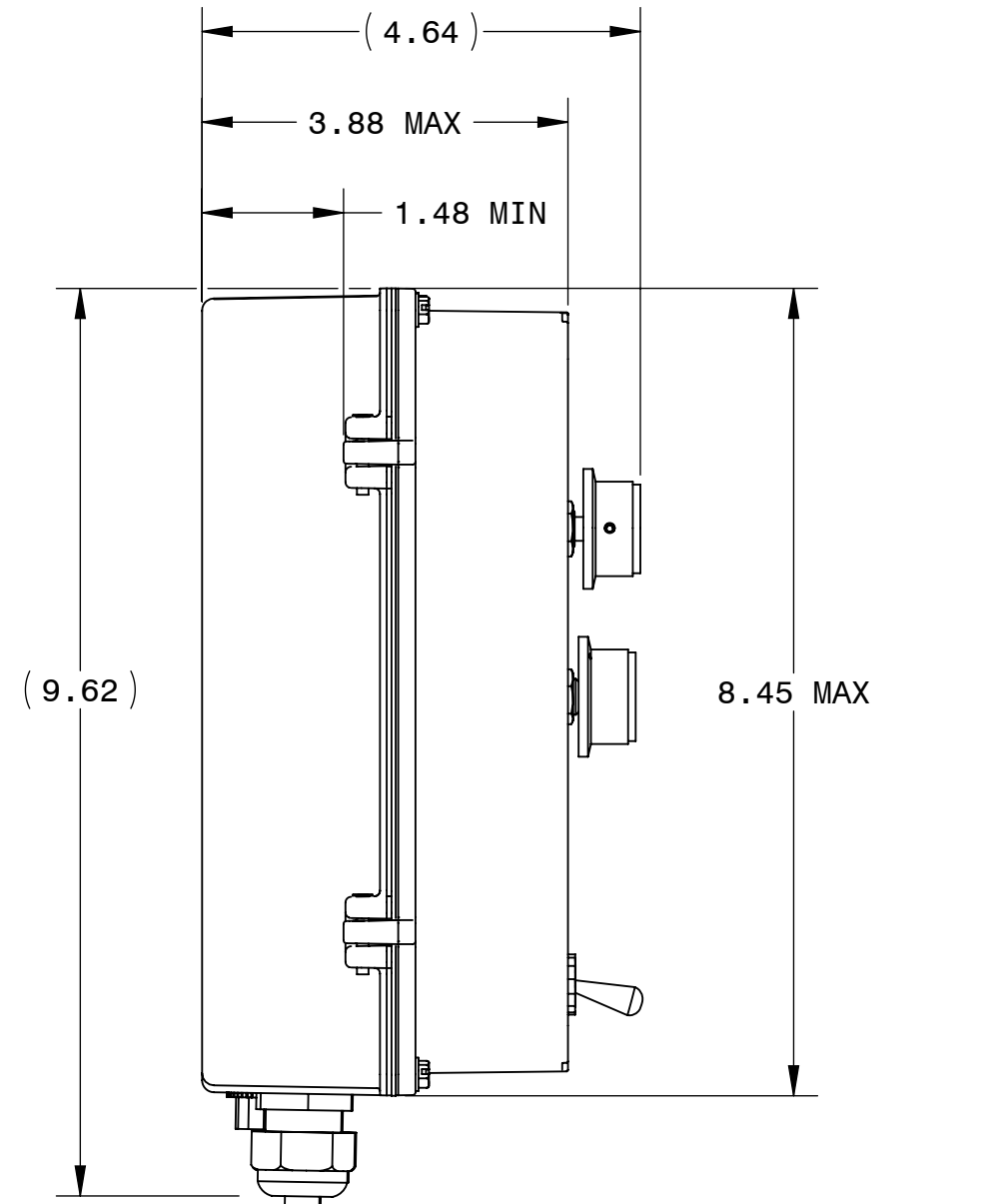
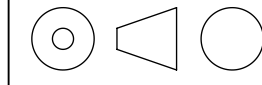


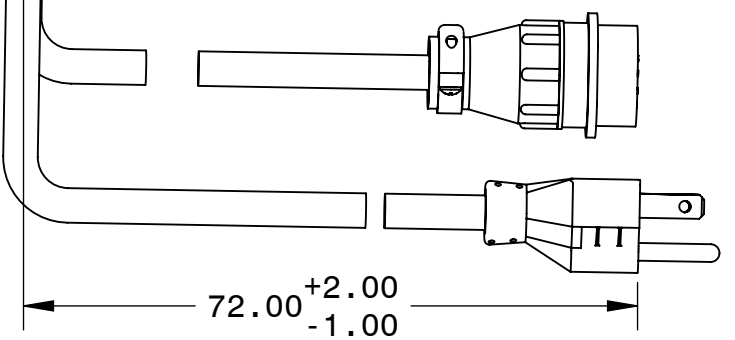
**BODINE ELECTRIC COMPANY**

PART NO./REV:	INFM0177	A
DESCRIPTION:	CONTROL ABL-3912E, ABL-3913E	
SHEET:	Sheet1	UNLESS OTHERWISE SPECIFIED: UNITS ARE IN INCHES [mm] TOLERANCES: .XX:±.01 .XXX:±.005 ANGLES: X°:±3° X.X°:±0.5°
SCALE:	1:2	
<b>B</b>		



TOTAL WIDTH WITH COVER OPEN  
REQUIRES A CLEARANCE OF 5.97 INCHES  
TO LEFT OF CENTER LINE.

SHOWN WITH OPTIONAL  
MOUNTING BRACKETS IN  
THE VERTICAL POSITION.



REPRESENTATIVE OF MODEL NUMBER(S):  
**3912 3913**

