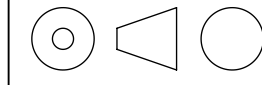
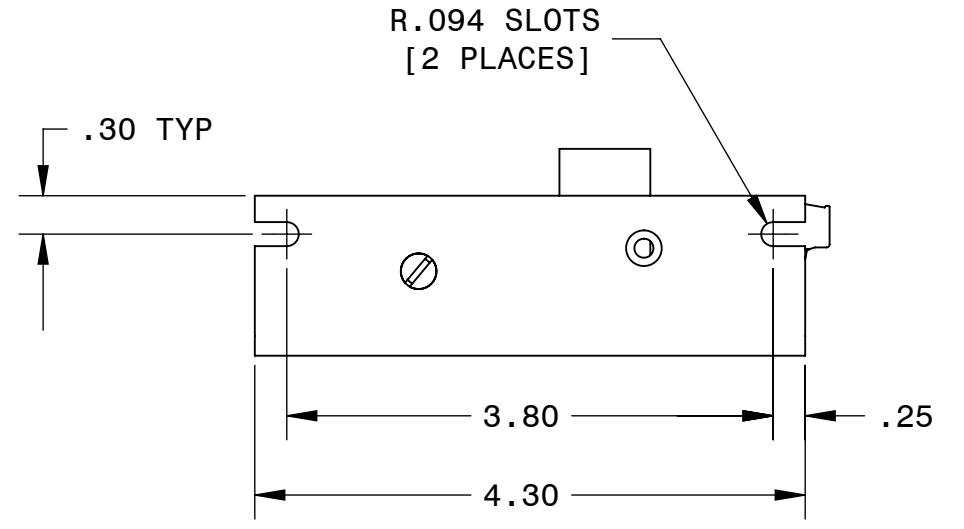
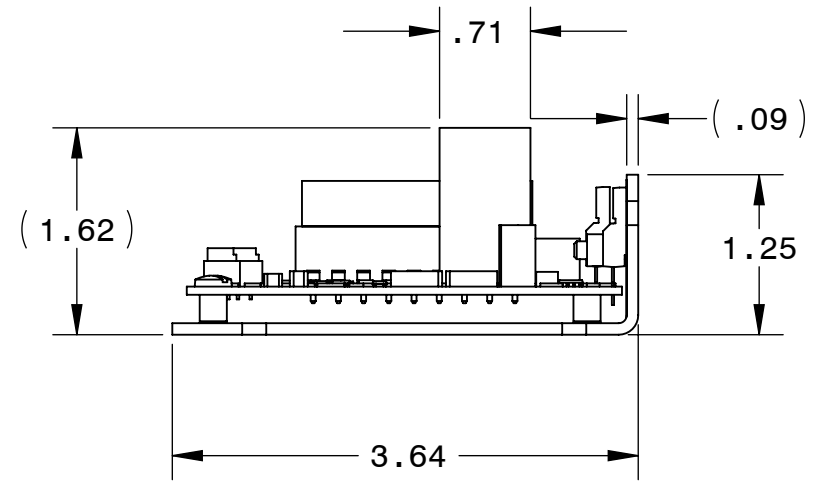
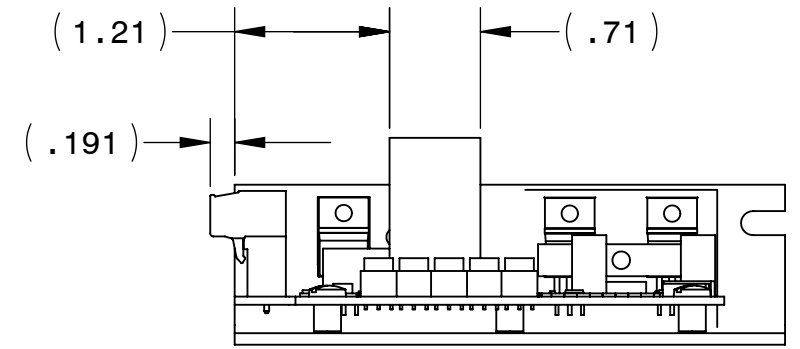
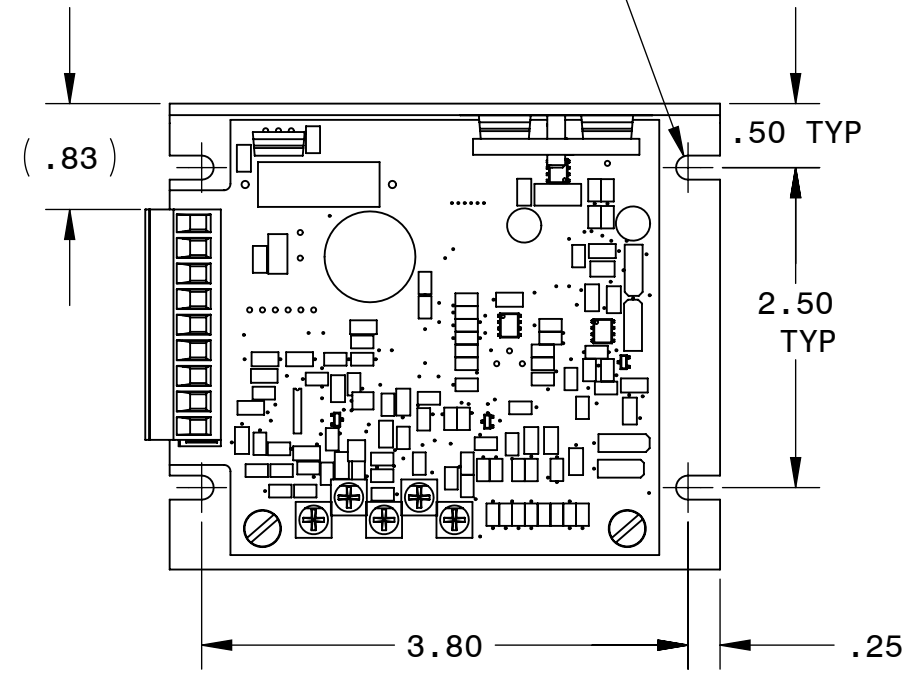


BODINE ELECTRIC COMPANY

|               |                                 |   |
|---------------|---------------------------------|---|
| PART NO./REV: | INFM0185                        | A |
| DESCRIPTION:  | CONTROL WPM-2137C T-BLK         |   |
| SHEET:        | UNLESS OTHERWISE SPECIFIED:     |   |
| Sheet1        | UNITS ARE IN INCHES [mm]        |   |
| SCALE:        | TOLERANCES: .XX:±.01 .XXX:±.005 |   |
| 2:3           | ANGLES: X°:±3° X.X°:±0.5°       |   |
| <b>B</b>      |                                 |   |



R.094 SLOTS  
[4 PLACES]



REPRESENTATIVE OF MODEL NUMBER(S):  
0787 0789

