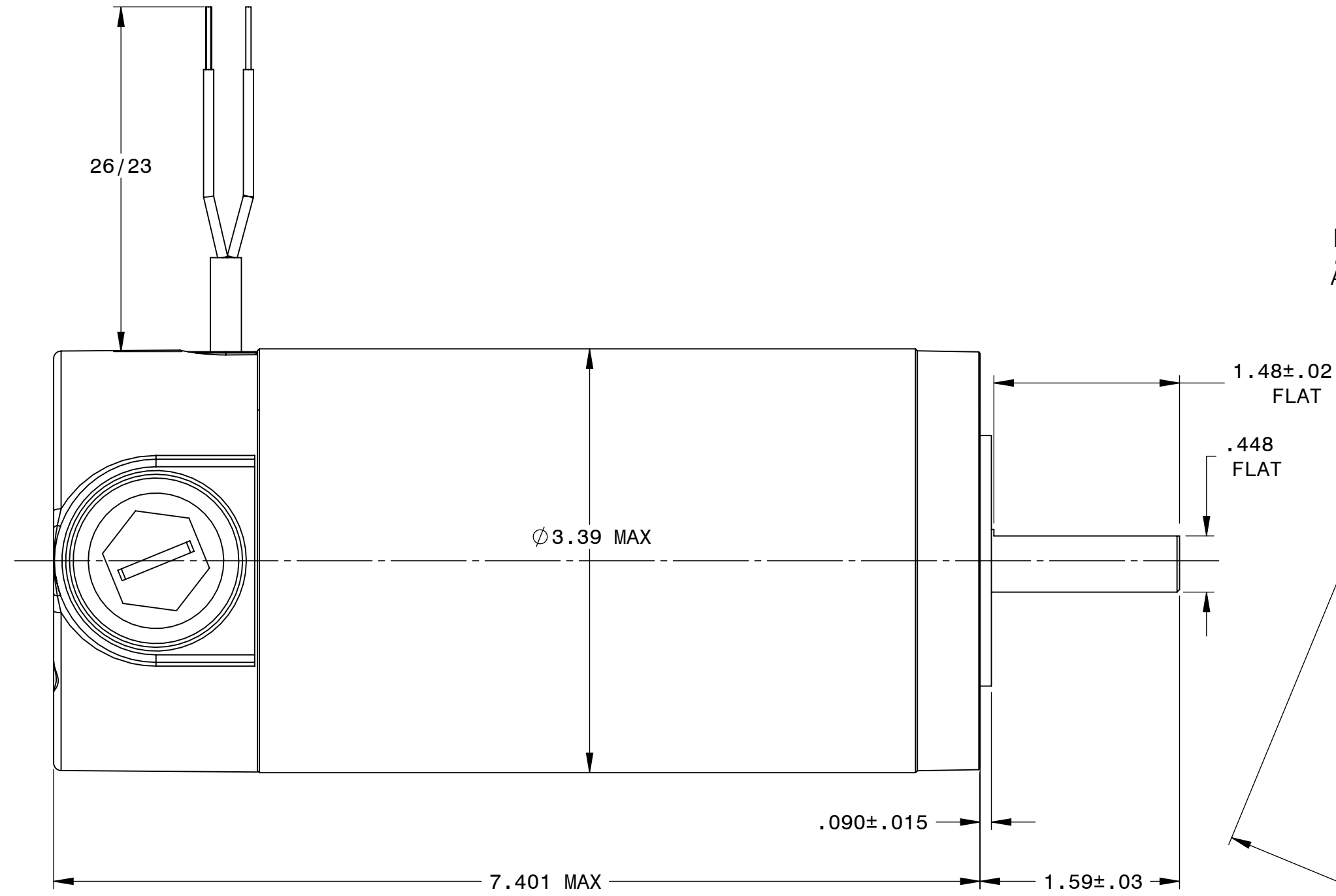
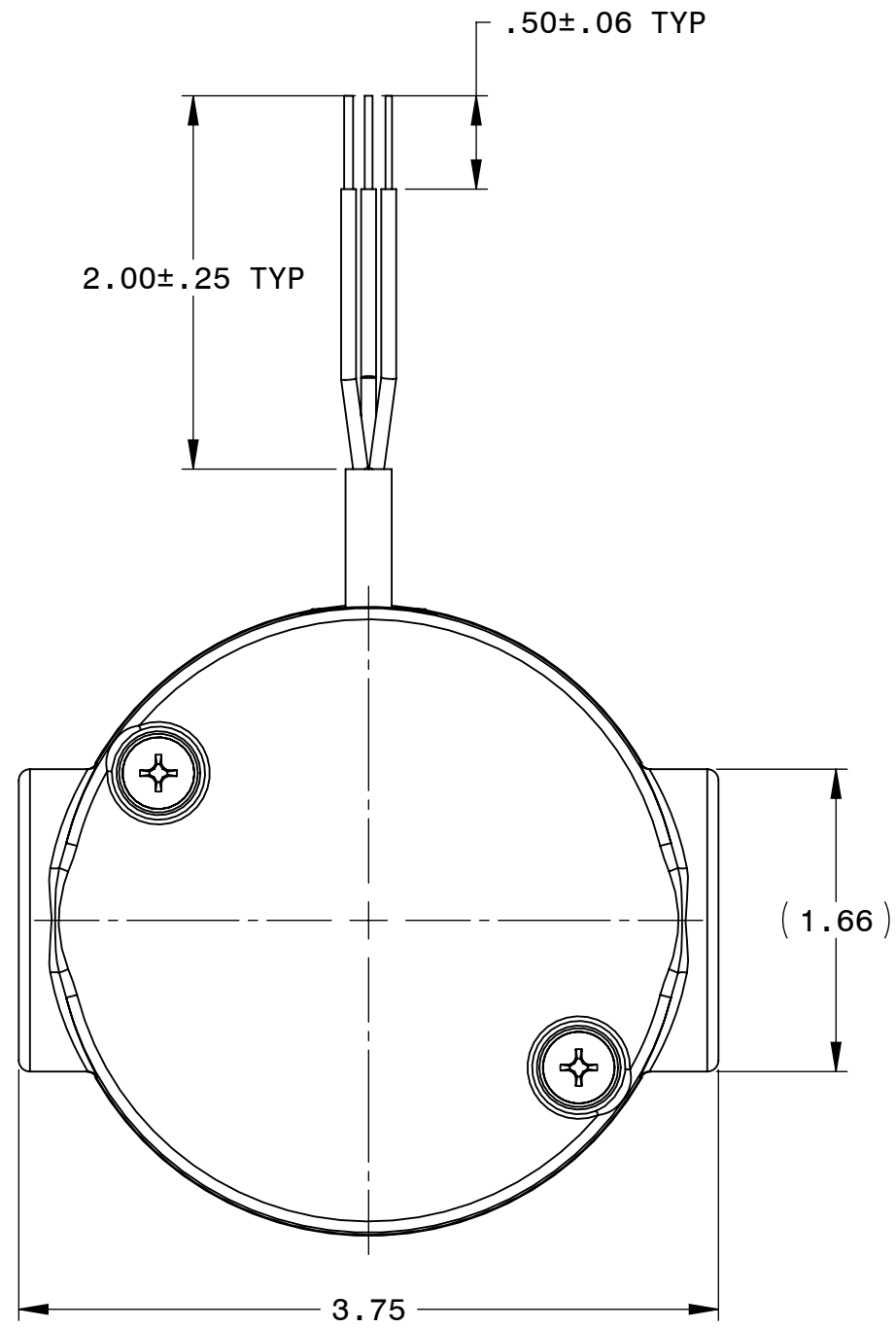
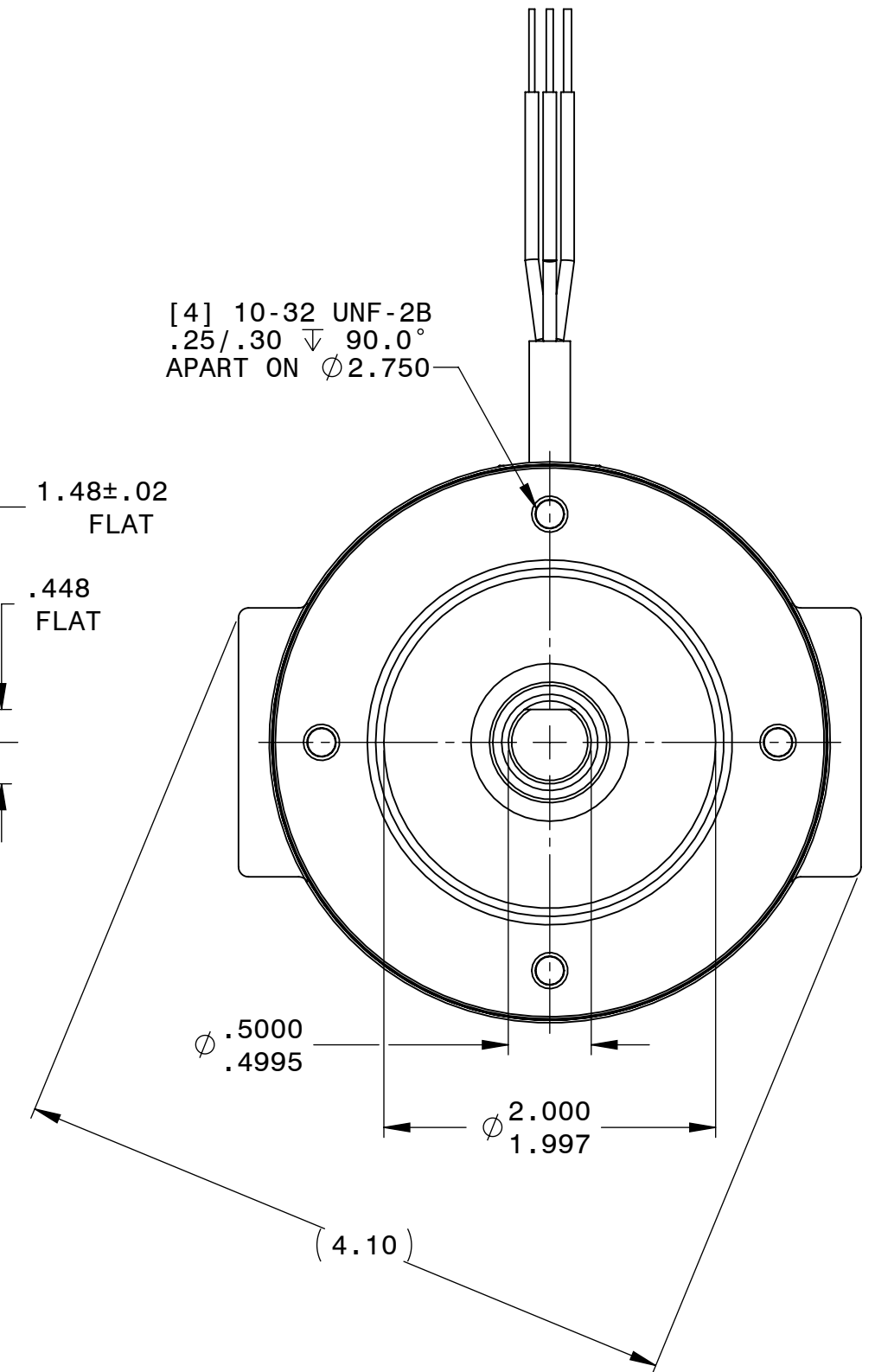


DESCRIPTION:
MOTOR 33A7BEPM

SHEET:	1/1	UNLESS OTHERWISE SPECIFIED:
SCALE:	1:2	UNITS ARE IN INCHES [mm]
C		TOLERANCES: .XX:±.01 .XXX:±.005
		ANGLES: X°:±3° X.X°:±0.5°



[4] 10-32 UNF-2B
.25/.30 ∇ 90.0°
APART ON Ø2.750



REPRESENTATIVE OF MODEL NUMBER(S):
6022 6037

