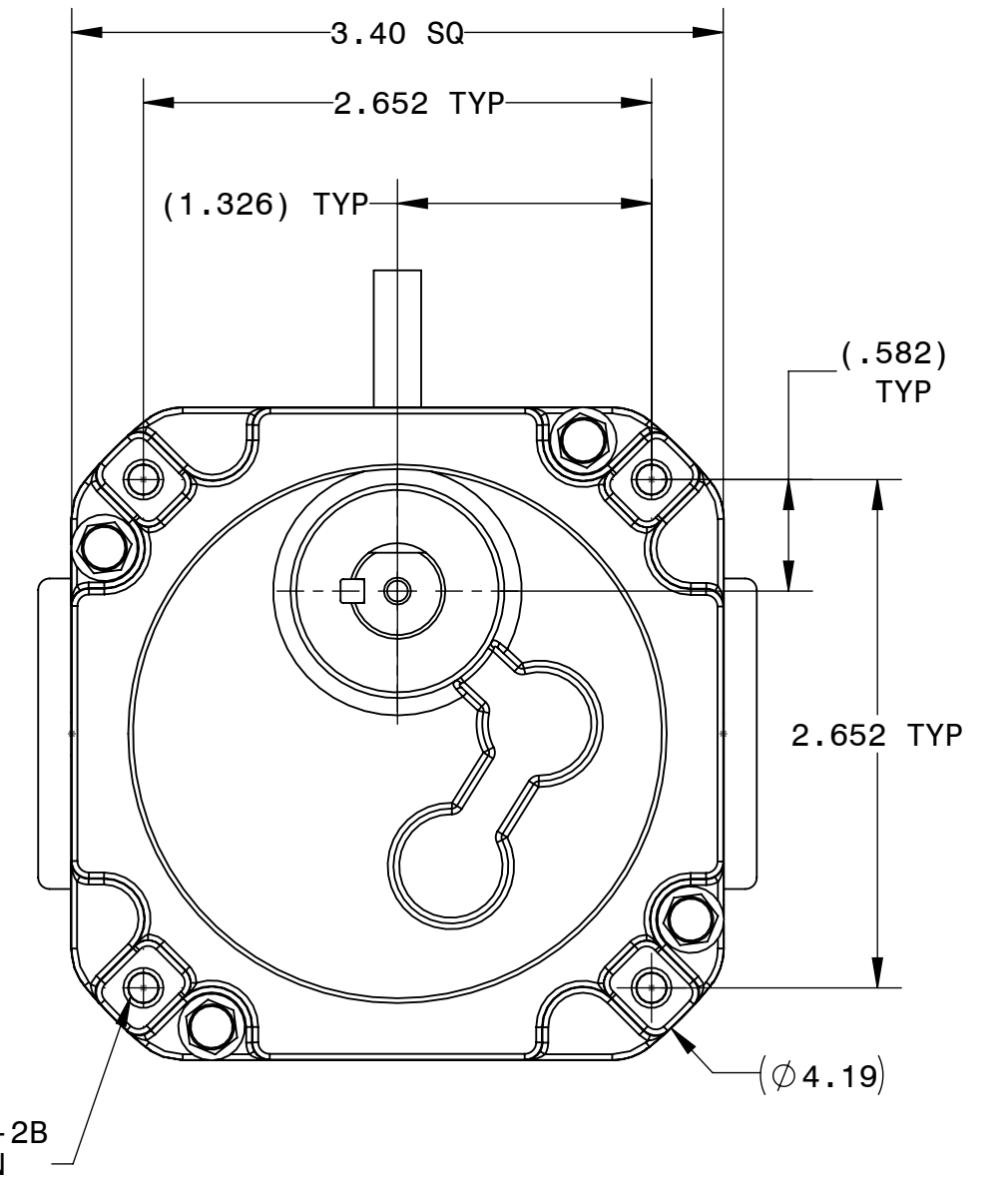
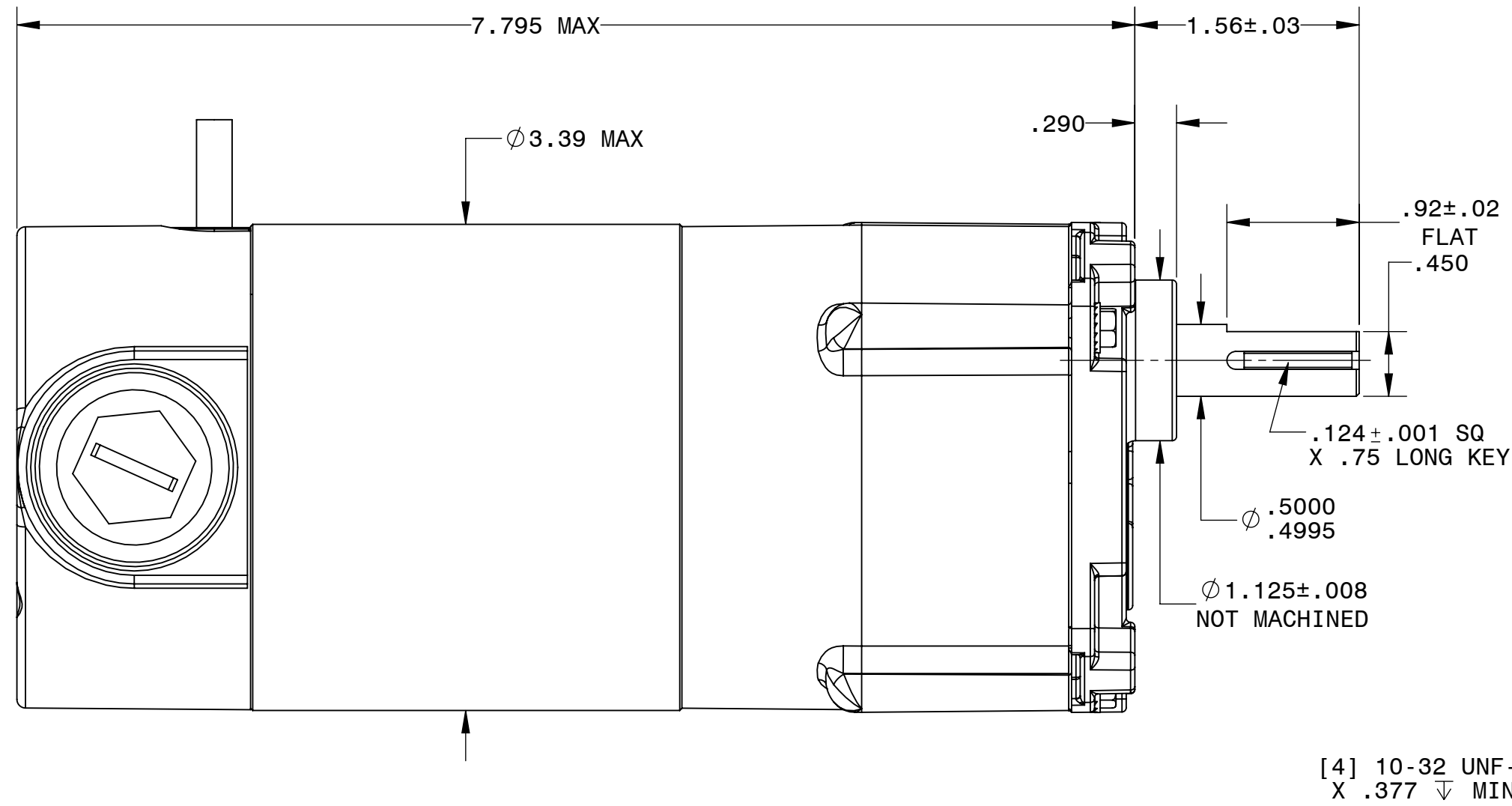
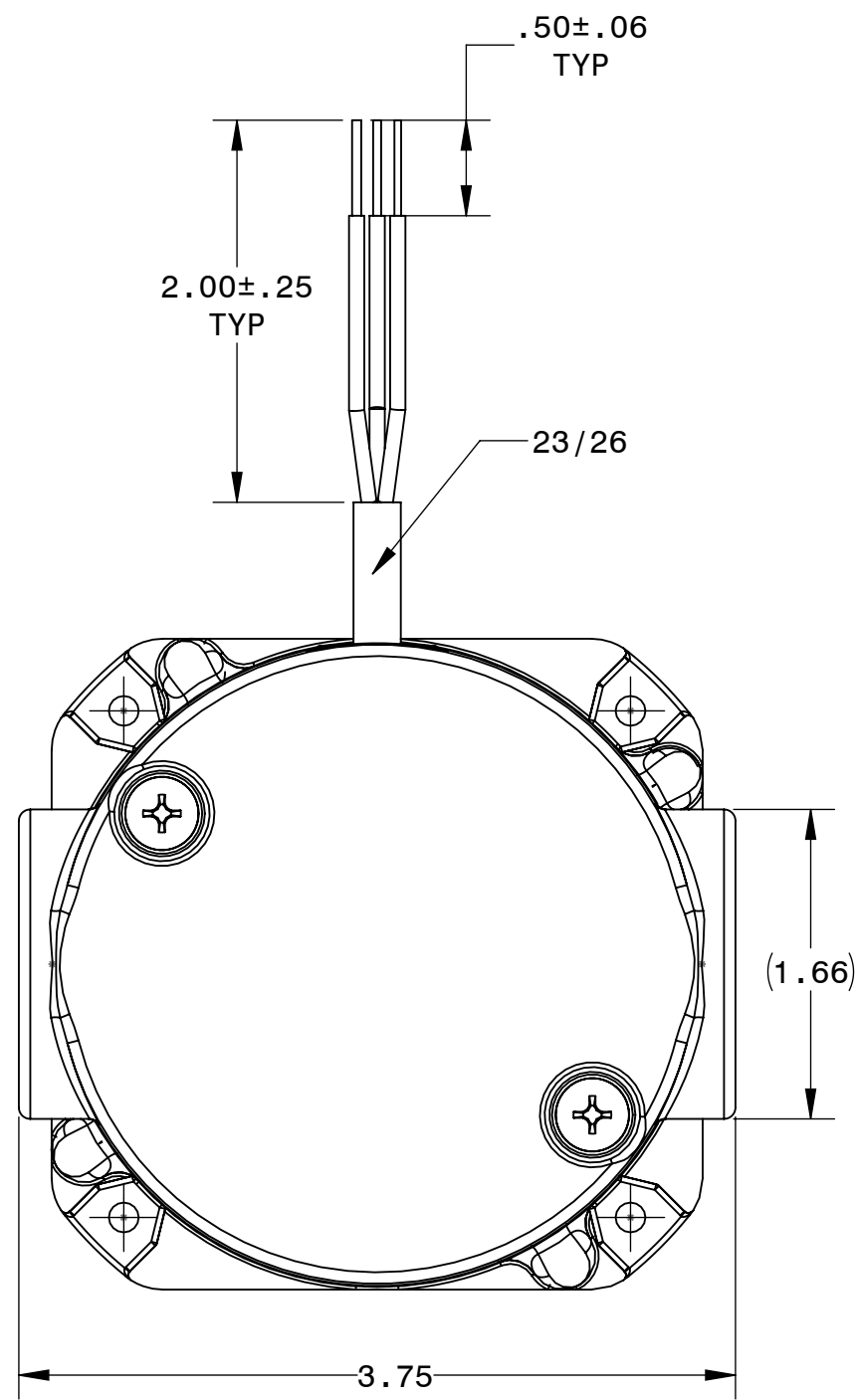


DESCRIPTION: GEARMOTOR 33A3BEPM-Z3/4	
SHEET: 1/1	UNLESS OTHERWISE SPECIFIED:
SCALE: 1:1	UNITS ARE IN INCHES [mm]
C	TOLERANCES: .XX:±.01 .XXX:±.005
	ANGLES: X°:±3° X.X°:±0.5°



[4] 10-32 UNF-2B
X .377 ↓ MIN

REPRESENTATIVE OF MODEL NUMBER(S):
6168 6169 6668 6669

