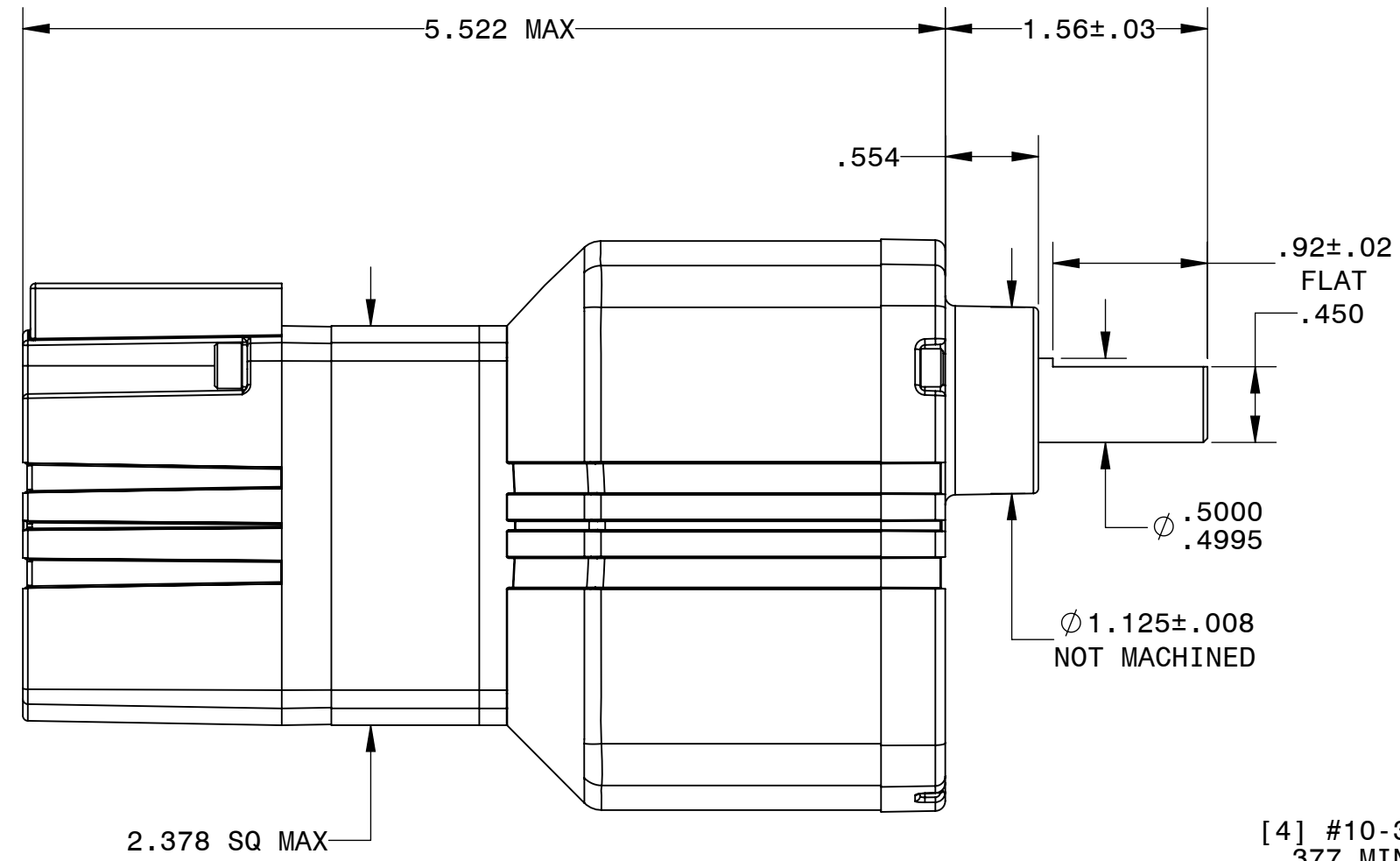
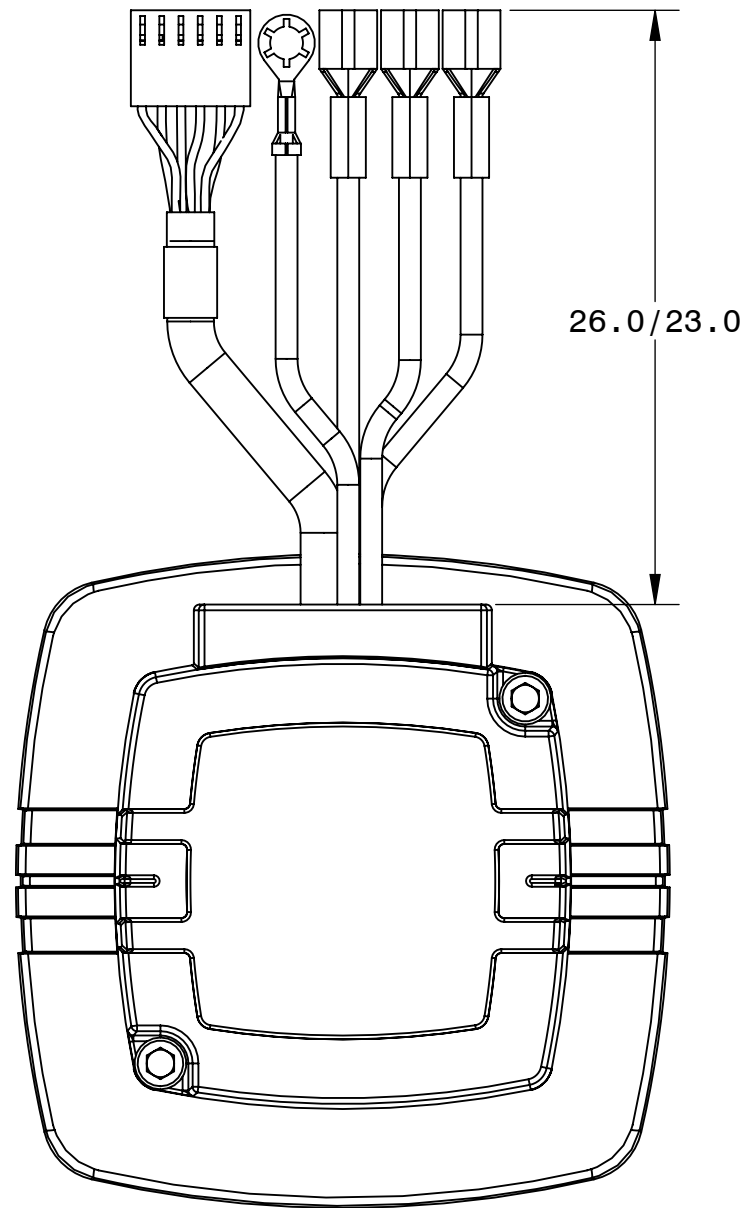


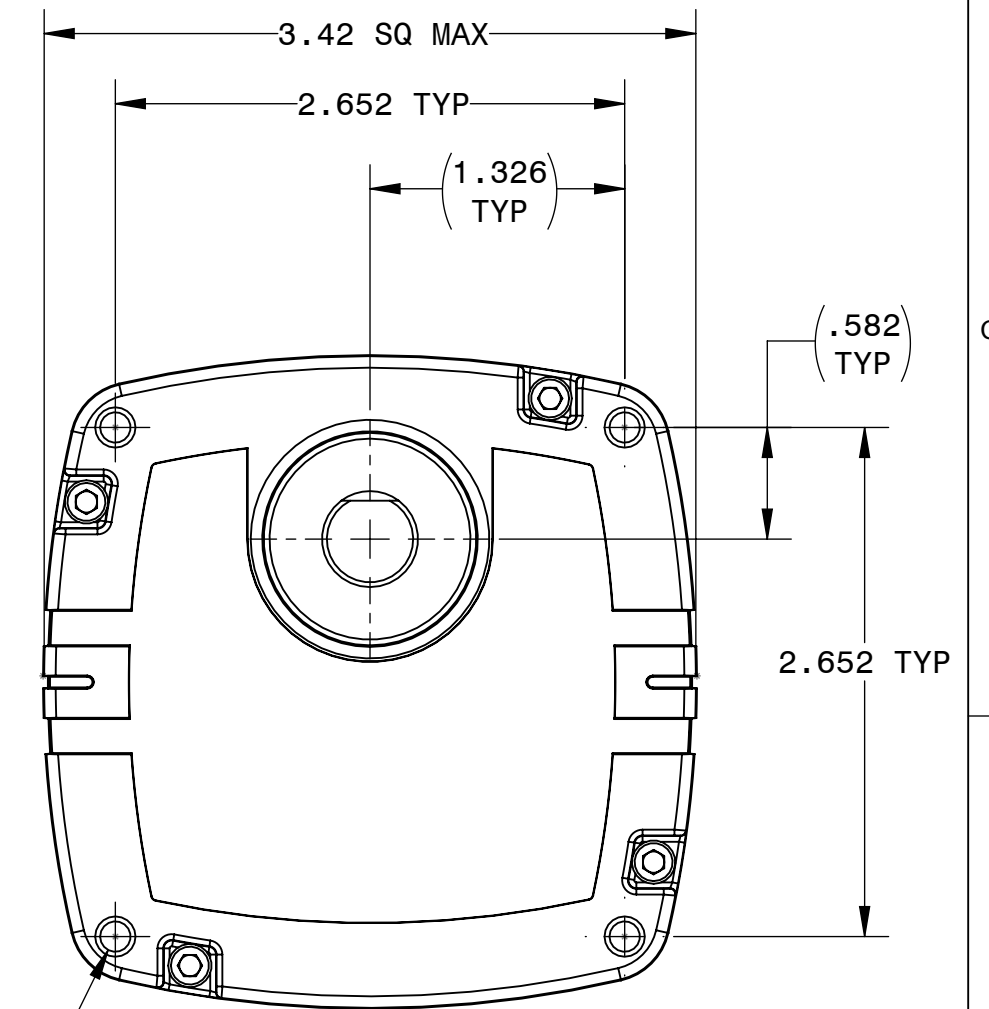
DESCRIPTION:
GEARMOTOR 22B2BEBL-D3/4

SHEET: 1/1
SCALE: 1:1
C

UNLESS OTHERWISE SPECIFIED:
UNITS ARE IN INCHES [mm]
TOLERANCES: .XX:±.01 .XXX:±.005
ANGLES: X°:±3° X.X°:±0.5°



[4] #10-32 UNF-2B
.377 MIN ↓



REPRESENTATIVE OF MODEL NUMBER(S):
3526 3527 3528 3529 3534 3535 3536

