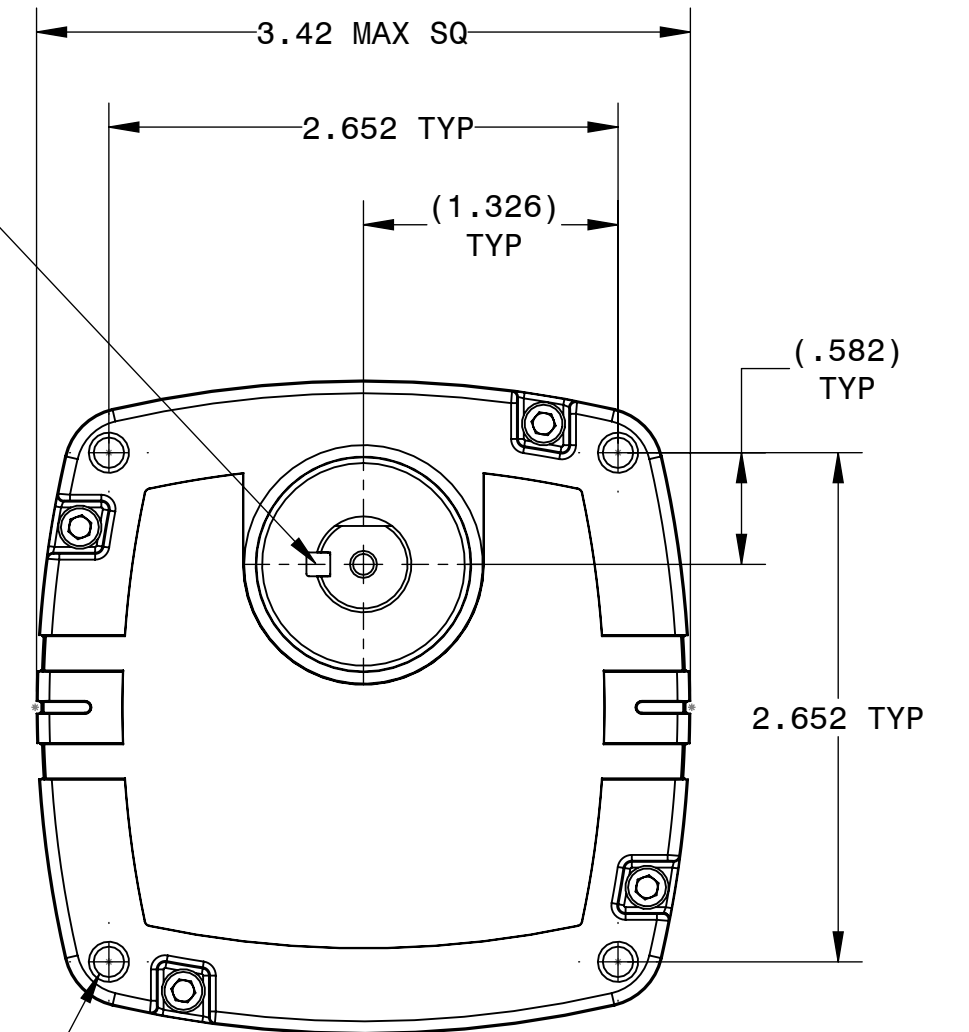
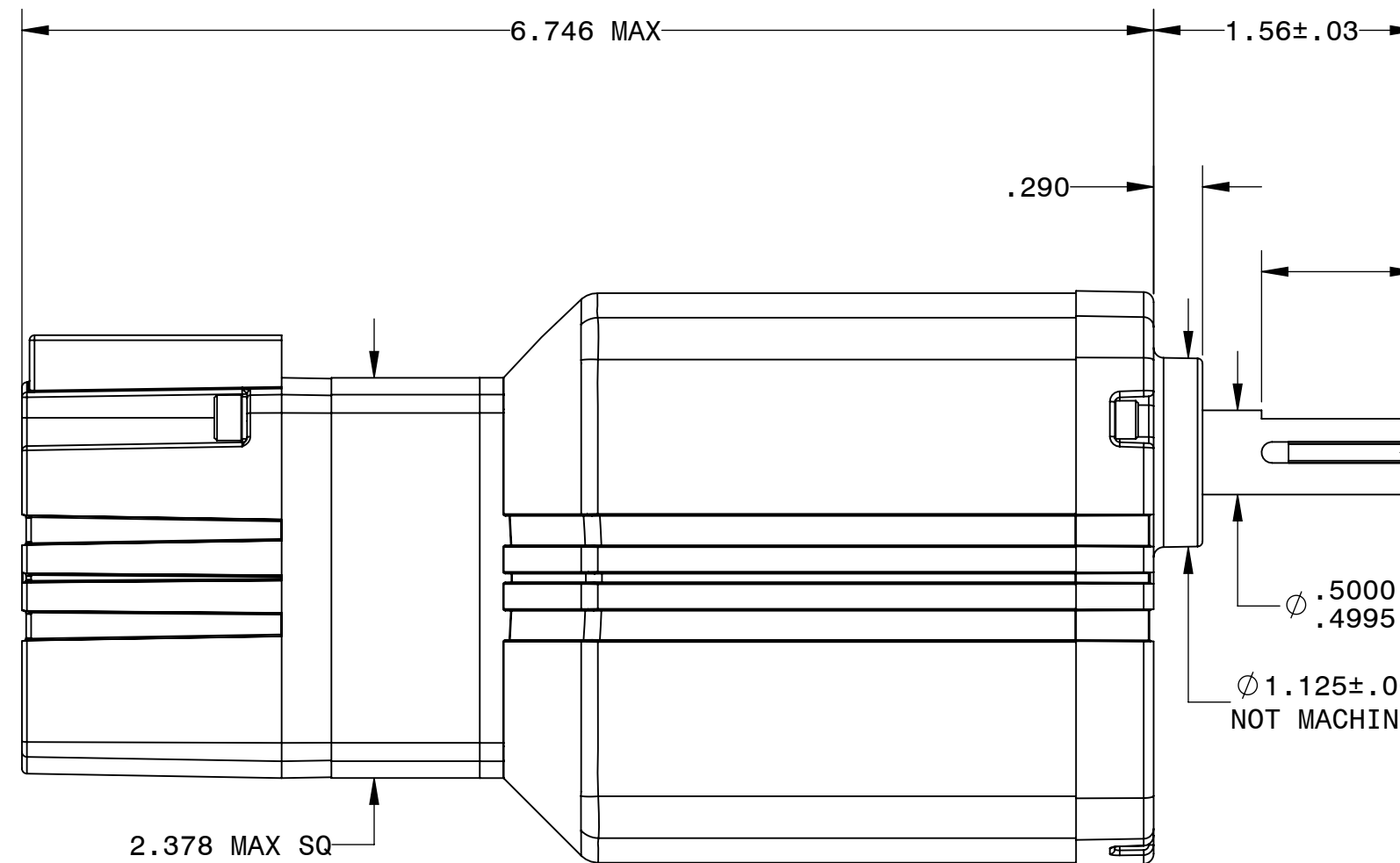
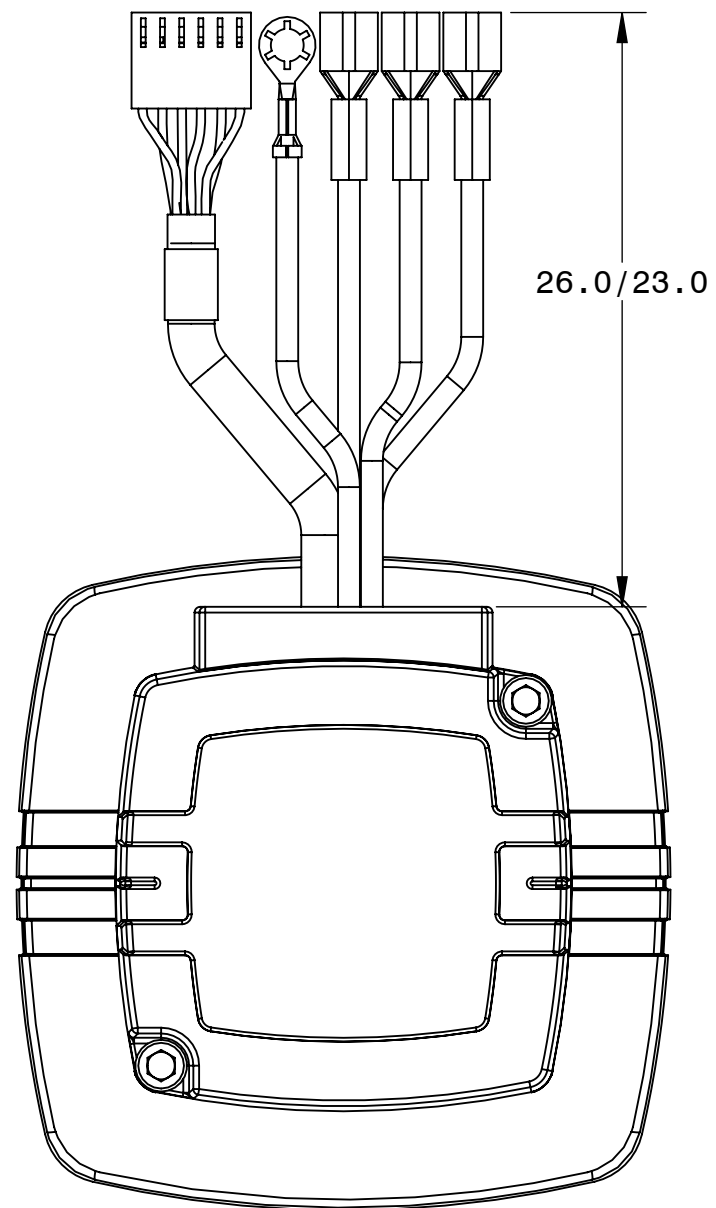


DESCRIPTION:  
GEARMOTOR 22B2BEBL-Z4

SHEET: 1/1  
SCALE: 1:1  
C  
UNLESS OTHERWISE SPECIFIED:  
UNITS ARE IN INCHES [mm]  
TOLERANCES: .XX:±.01 .XXX:±.005  
ANGLES: X°:±3° X.X°:±0.5°



[4] #10-32 UNF-2B  
.455 MIN ↓

REPRESENTATIVE OF MODEL NUMBER(S):  
3562 3563 3564

