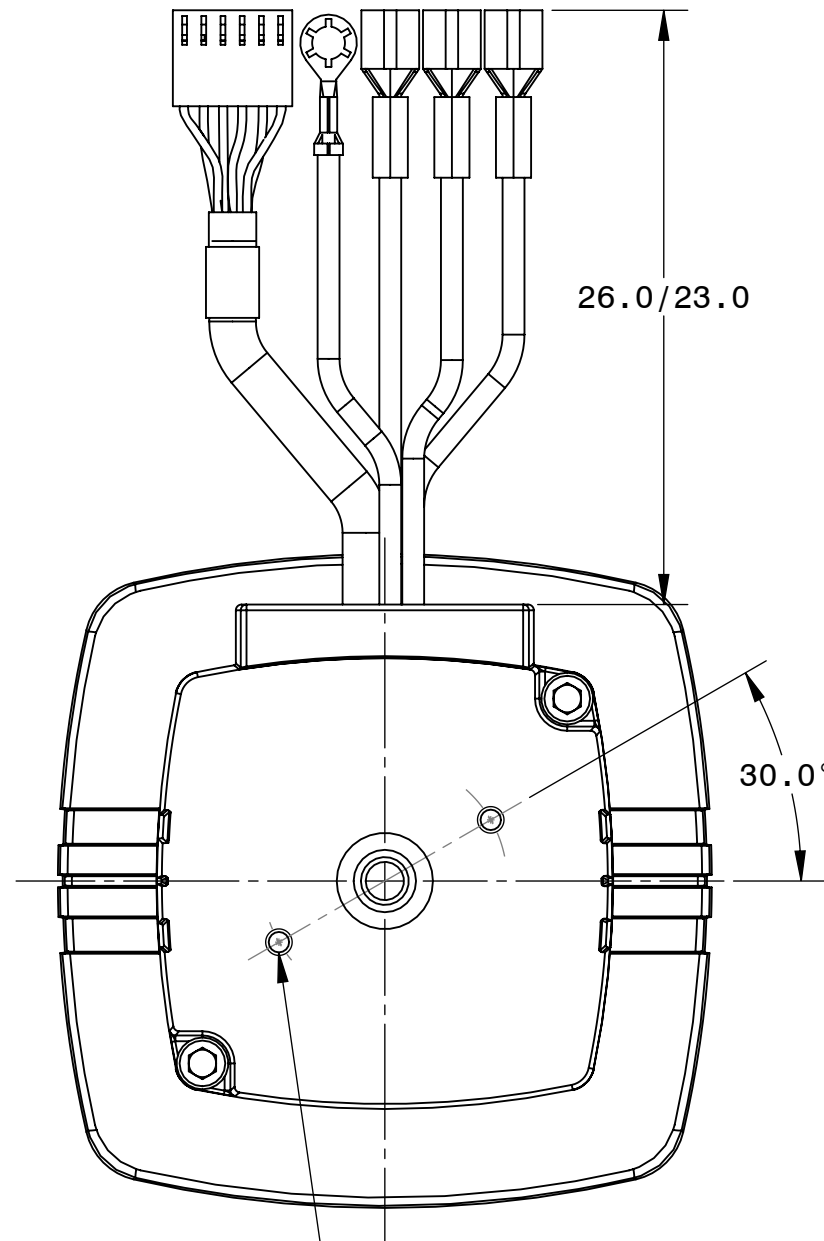
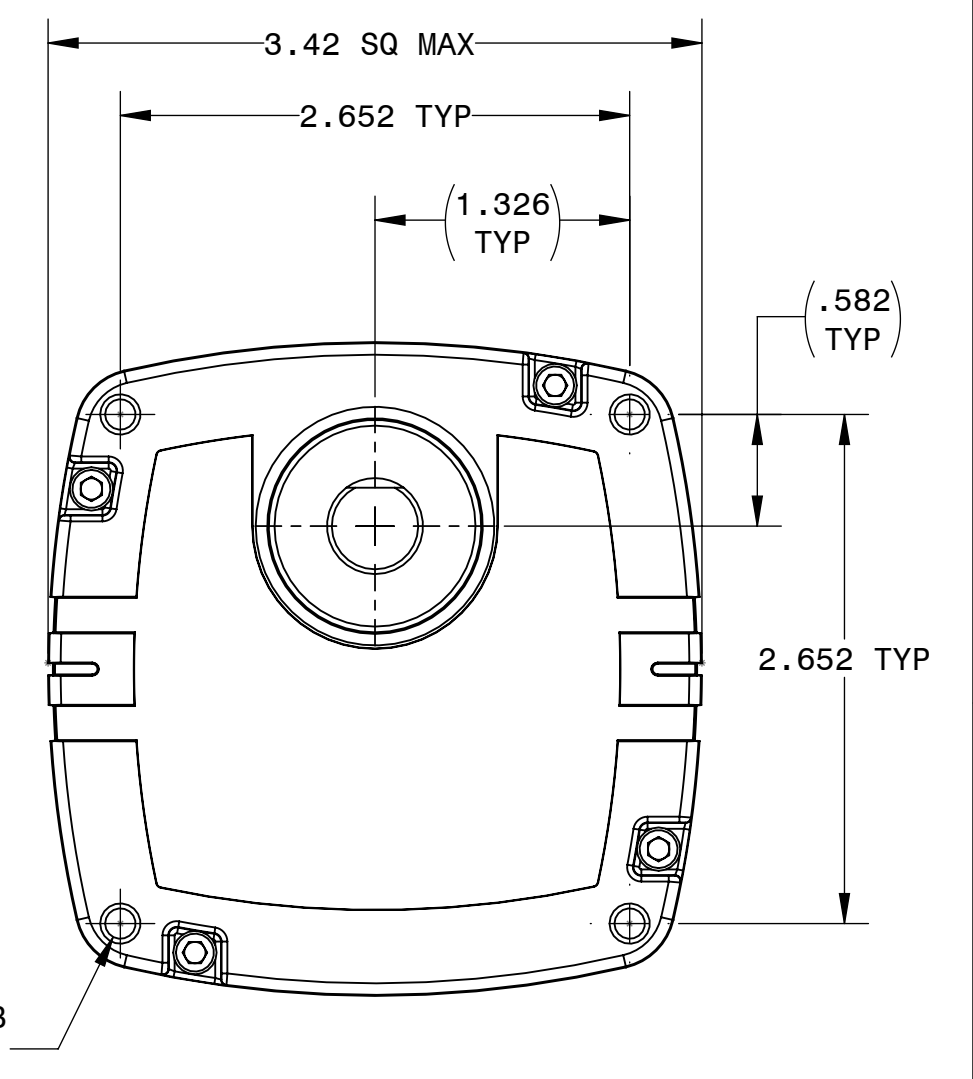
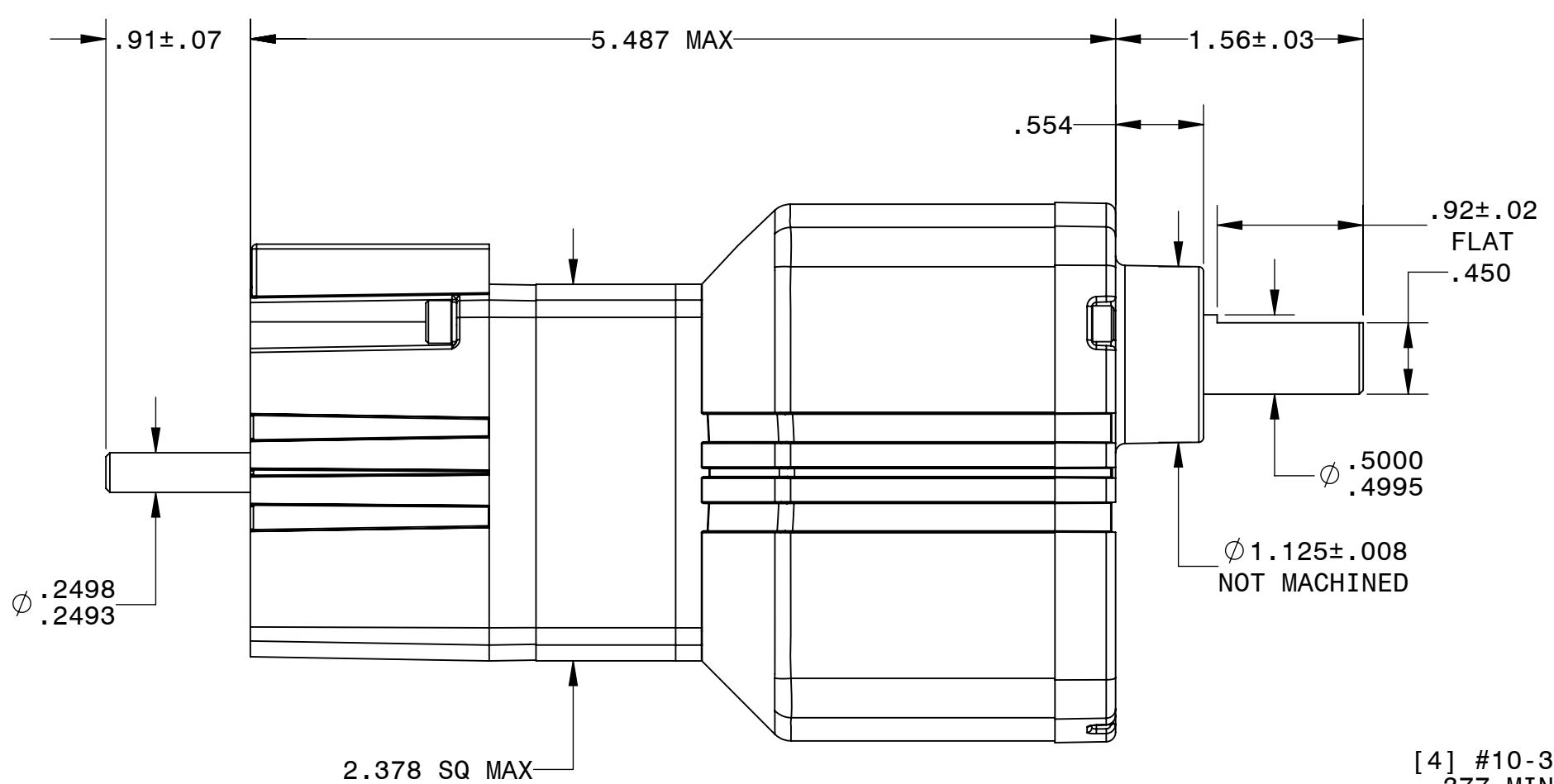


DESCRIPTION:  
GEARMOTOR 22B2FEBL-D3/4

SHEET:	1/1	UNLESS OTHERWISE SPECIFIED:
SCALE:	1:1	UNITS ARE IN INCHES [mm]
<b>C</b>		TOLERANCES: .XX:±.01 .XXX:±.005
		ANGLES: X°:±3° X.X°:±0.5°



[2] #6-32 UNC-2B  
.19 MAX ↓ 180° APART  
ON Ø1.274



REPRESENTATIVE OF MODEL NUMBER(S):  
3626 3627 3628 3629 3634 3635 3636

