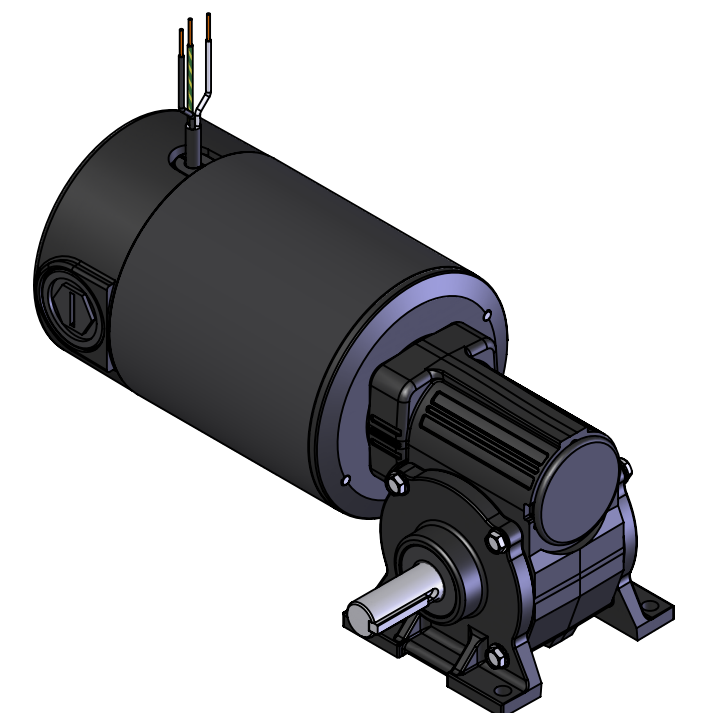
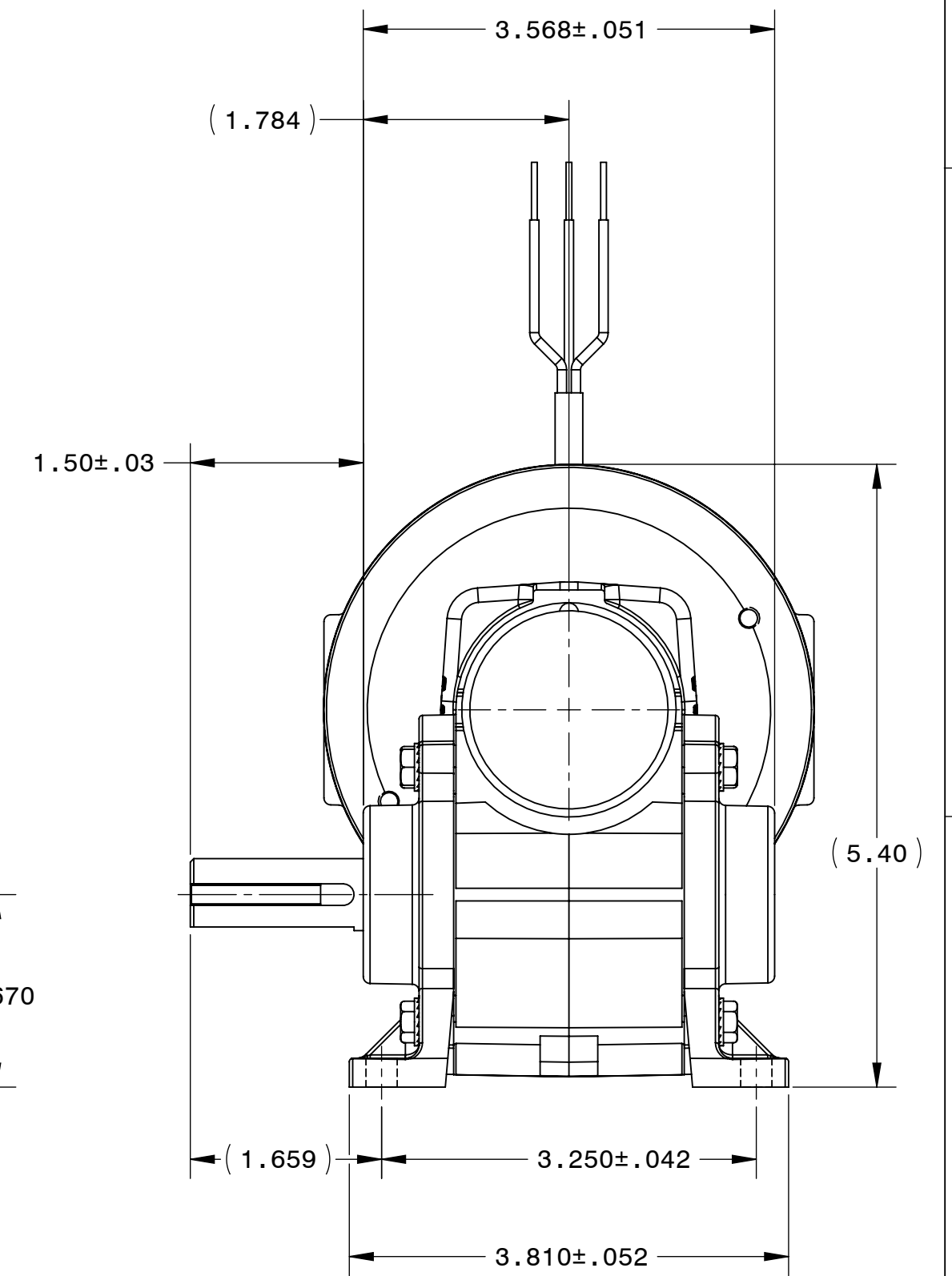
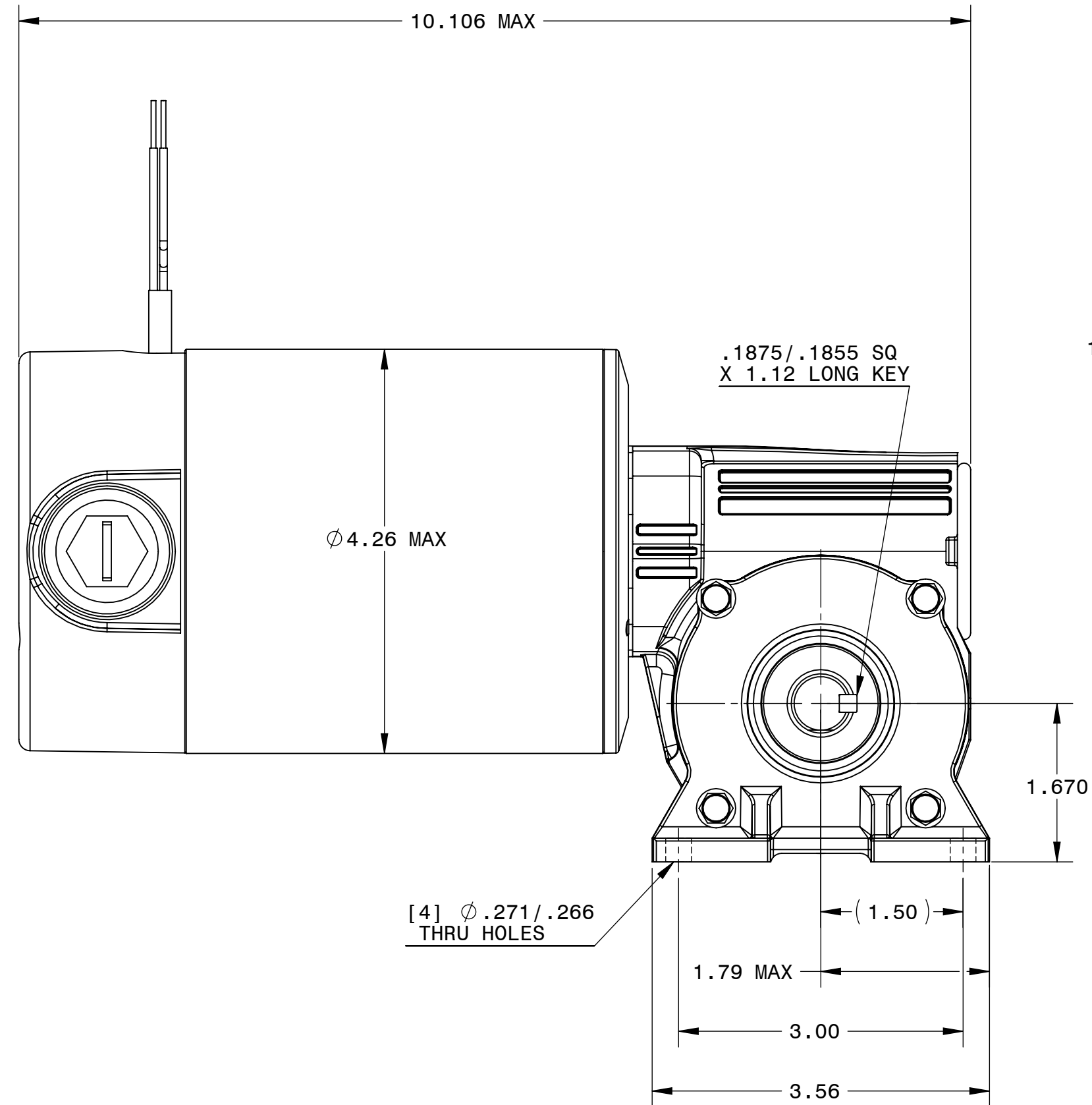
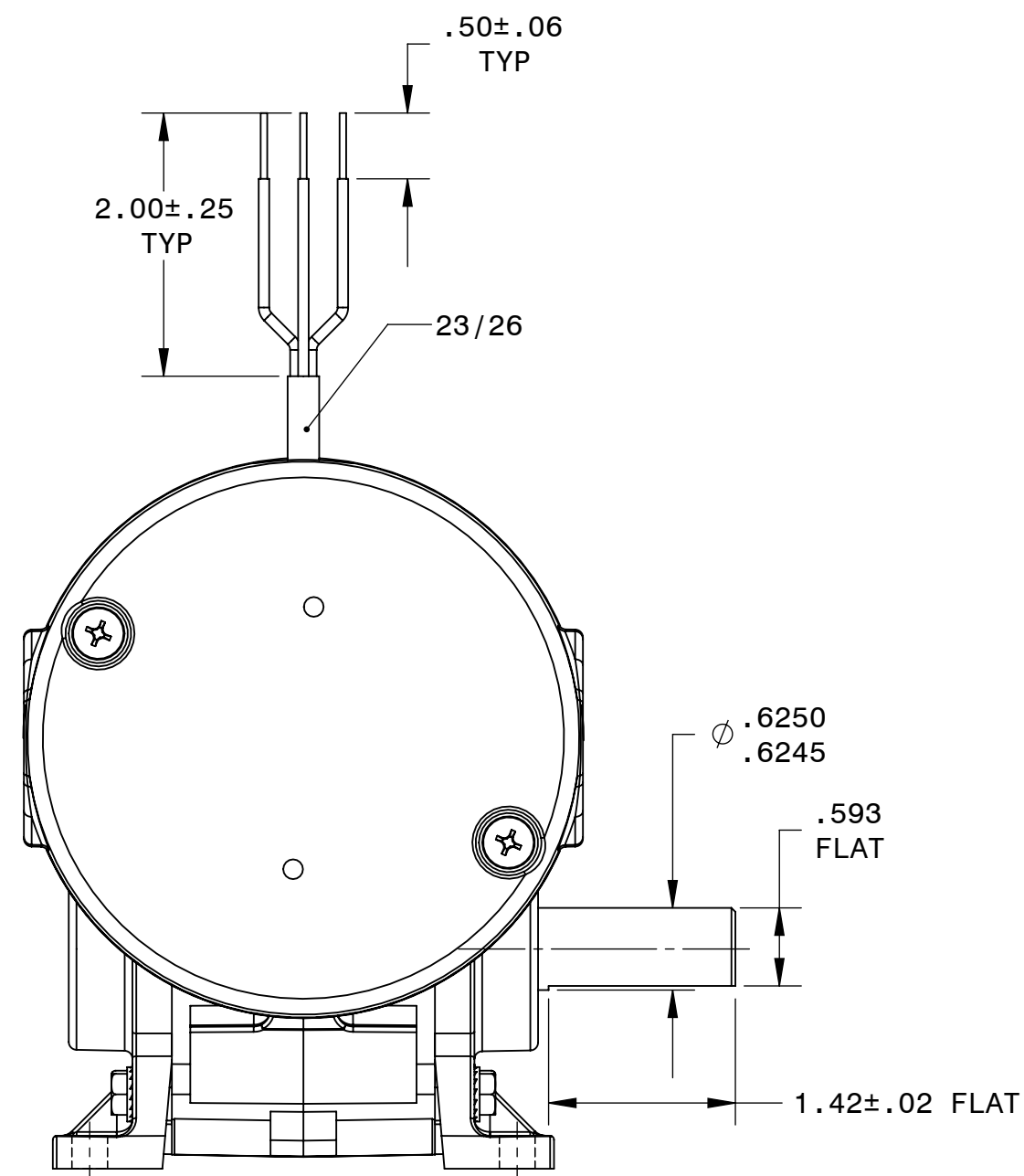


DESCRIPTION: GEARMOTOR 42A5BEPM-5N	
SHEET: 1/1	UNLESS OTHERWISE SPECIFIED:
SCALE: 3:4	UNITS ARE IN INCHES [mm]
C	TOLERANCES: .XX:±.01 .XXX:±.005
	ANGLES: X°:±3° X.X°:±0.5°



REPRESENTATIVE OF MODEL NUMBER(S):

4134 4135 4136 4137 4138 5734 5735 5736 5737 5738