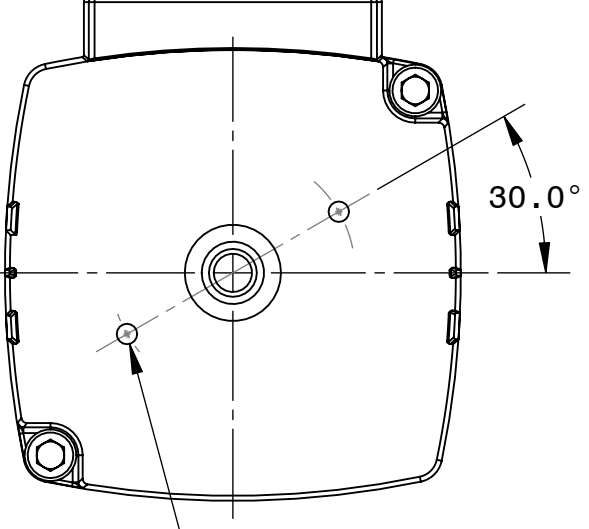
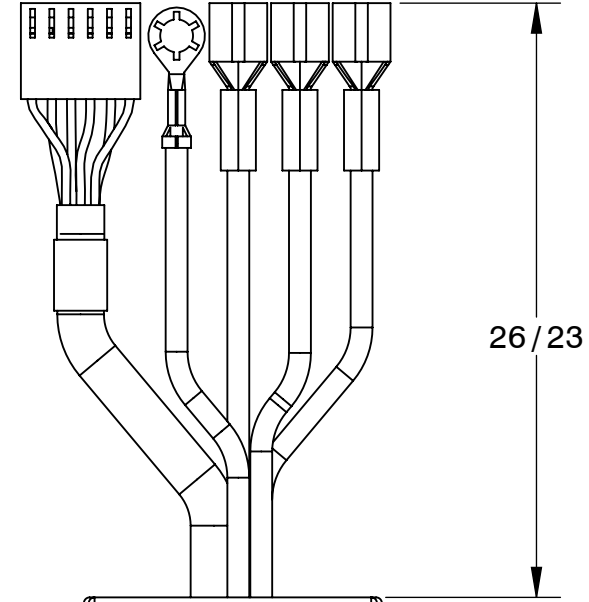
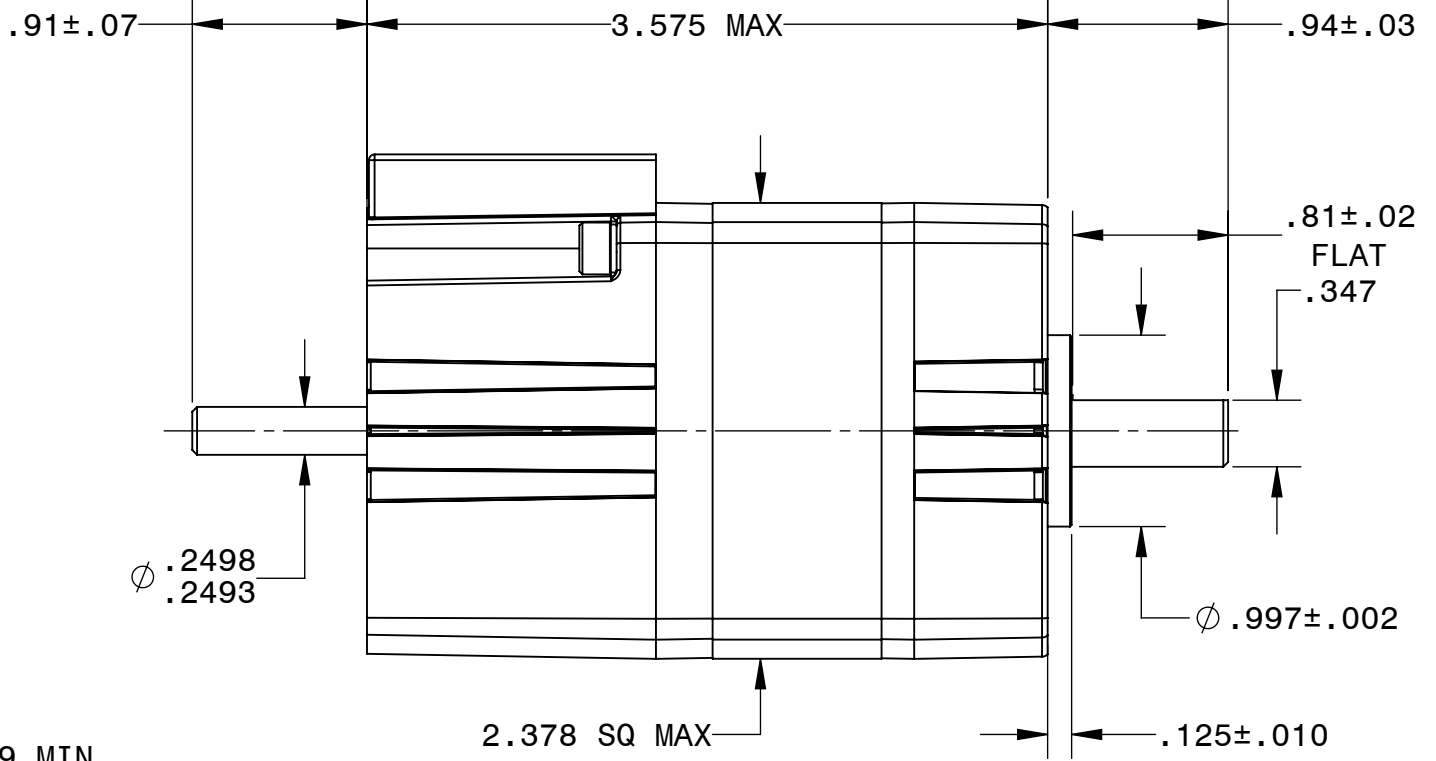


BODINE ELECTRIC COMPANY

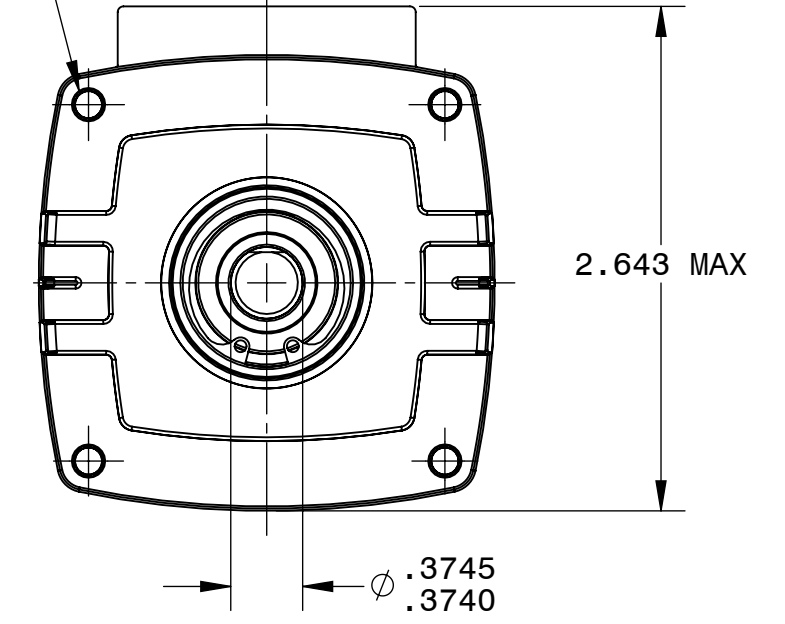
PART NO./REV:	INFM0234	B
DESCRIPTION:	MOTOR 22B2FEBL	
SHEET:	1/1	UNLESS OTHERWISE SPECIFIED:
SCALE:	1:1	UNITS ARE IN INCHES [mm]
		TOLERANCES: .XX:±.01 .XXX:±.005
		ANGLES: X°:±3° X.X°:±0.5°



2X 6-32 UNC-2B  $\nabla$ .19 MIN  
180° APART ON  $\phi$ 1.274



4X 8-32 UNC-2B  
X .35 MIN  $\nabla$   
EQUALLY SPACED  
ON  $\phi$ 2.625



REPRESENTATIVE OF MODEL NUMBER(S):  
3602

