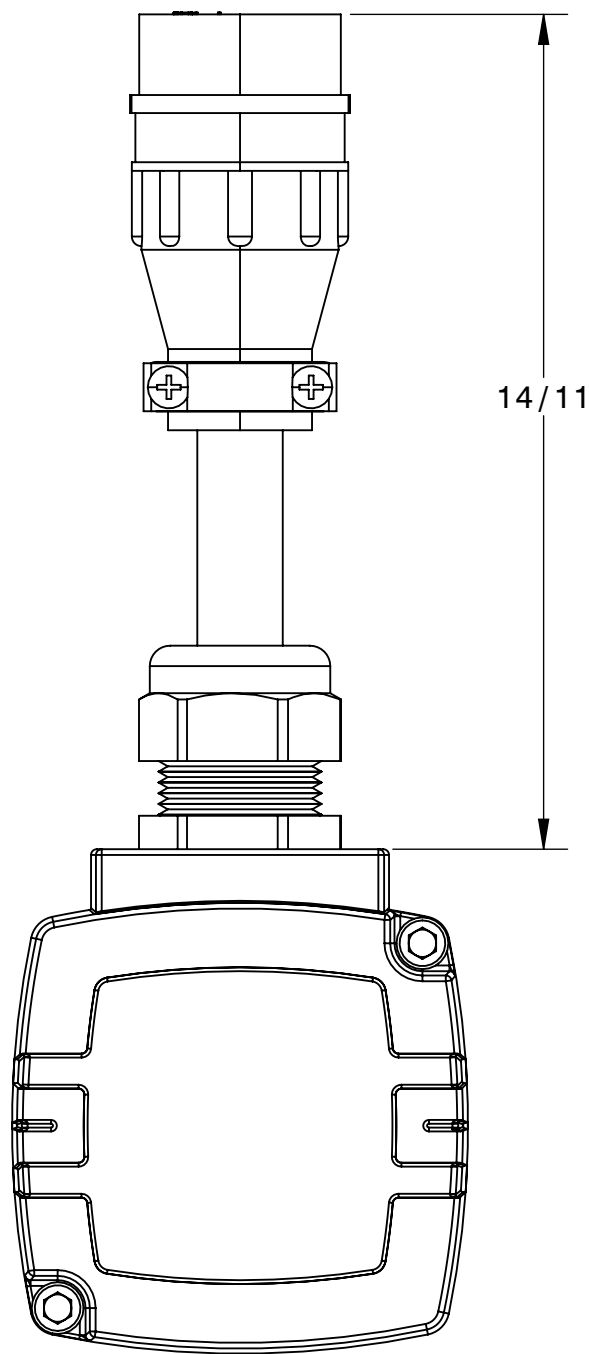
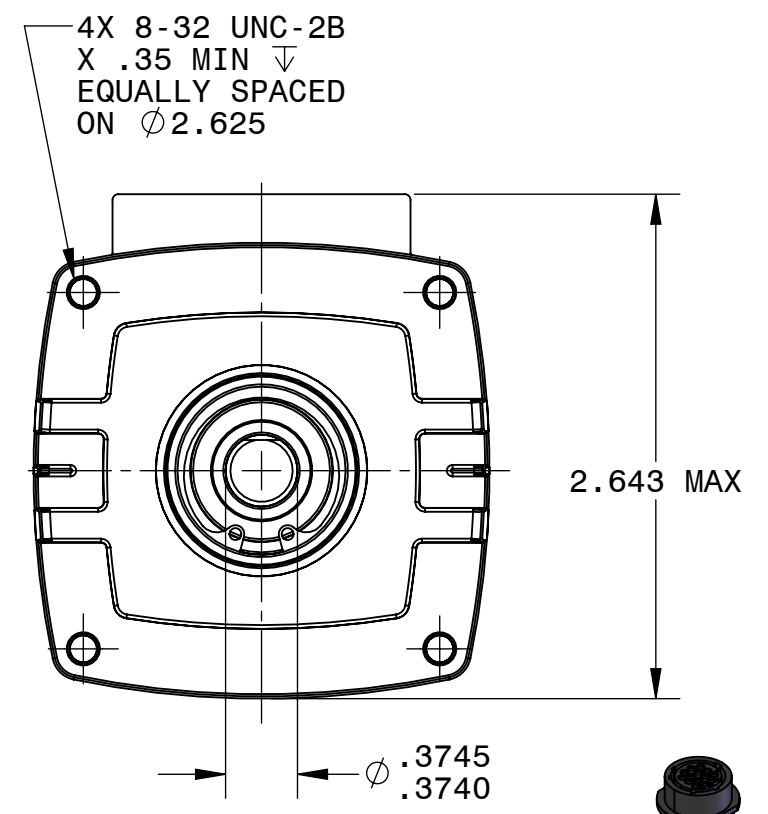
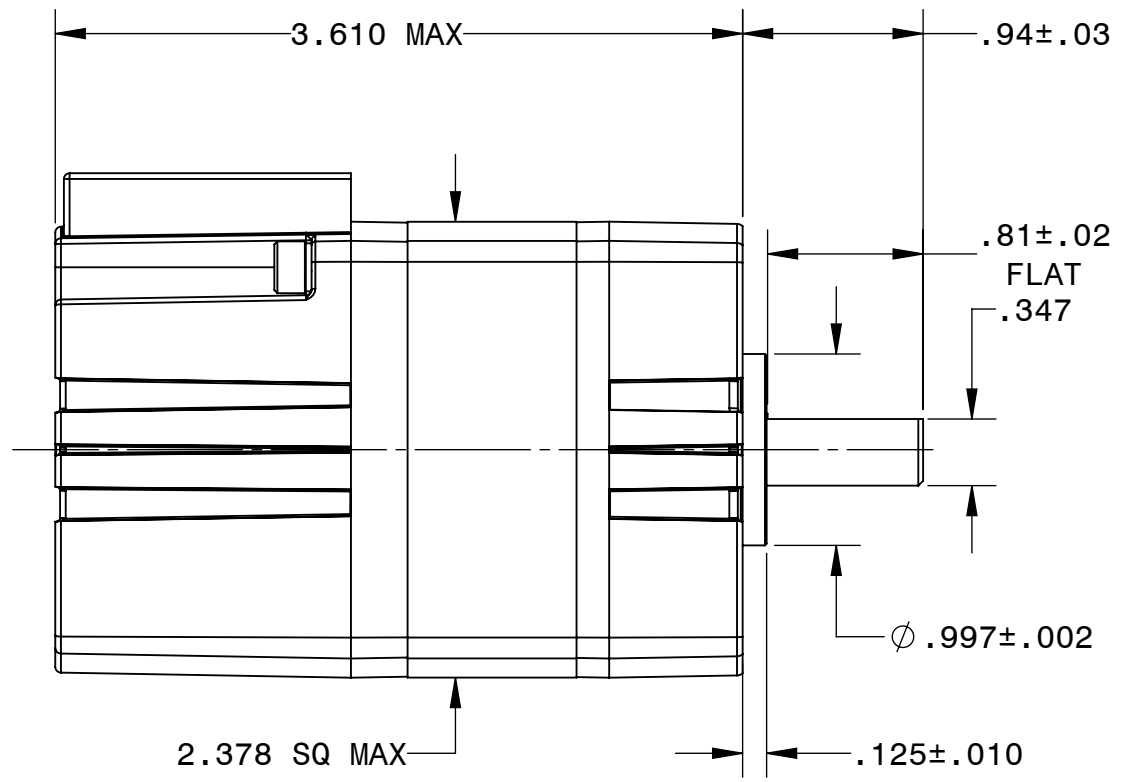


BODINE ELECTRIC COMPANY

PART NO./REV:	INFM0237	B
DESCRIPTION:	MOTOR 22B2BEBL	
SHEET:	1/1	
SCALE:	1:1	
UNLESS OTHERWISE SPECIFIED:	TOLERANCES: .XX:±.01 .XXX:±.005	
	ANGLES: X°:±3° X.X°:±0.5°	



14/11



REPRESENTATIVE OF MODEL NUMBER(S):
3302

