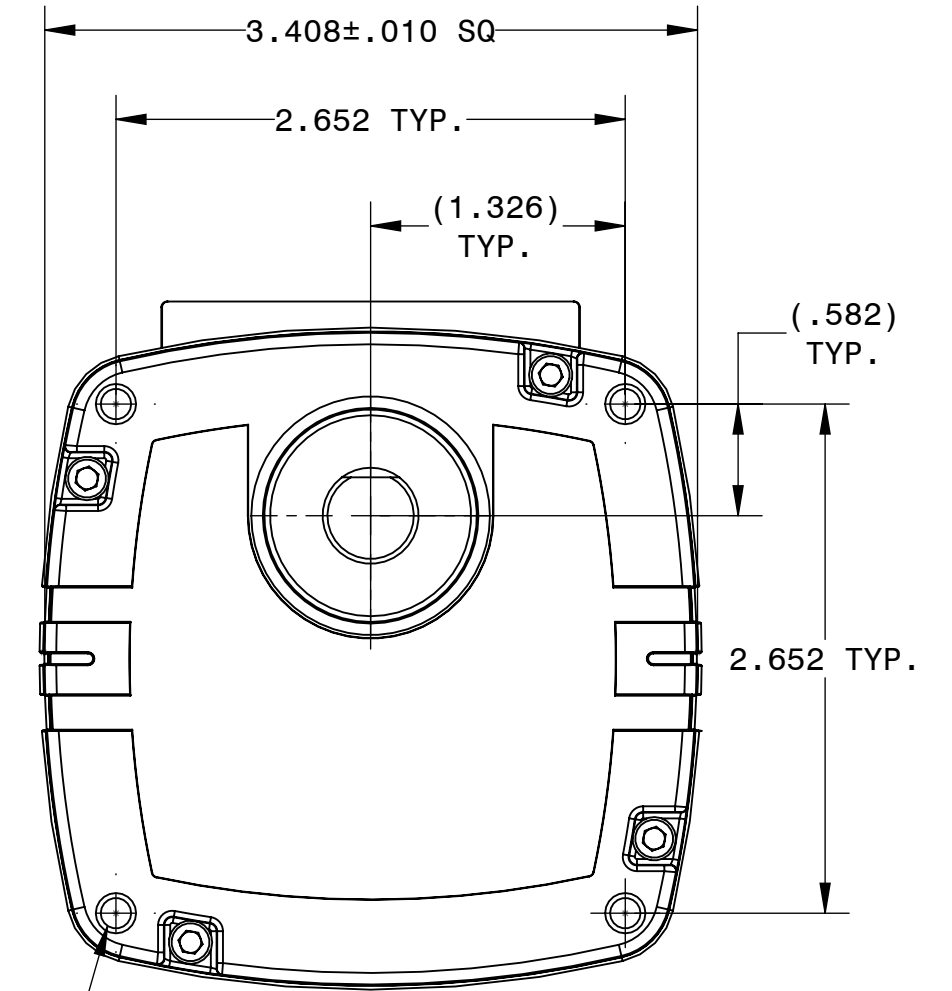
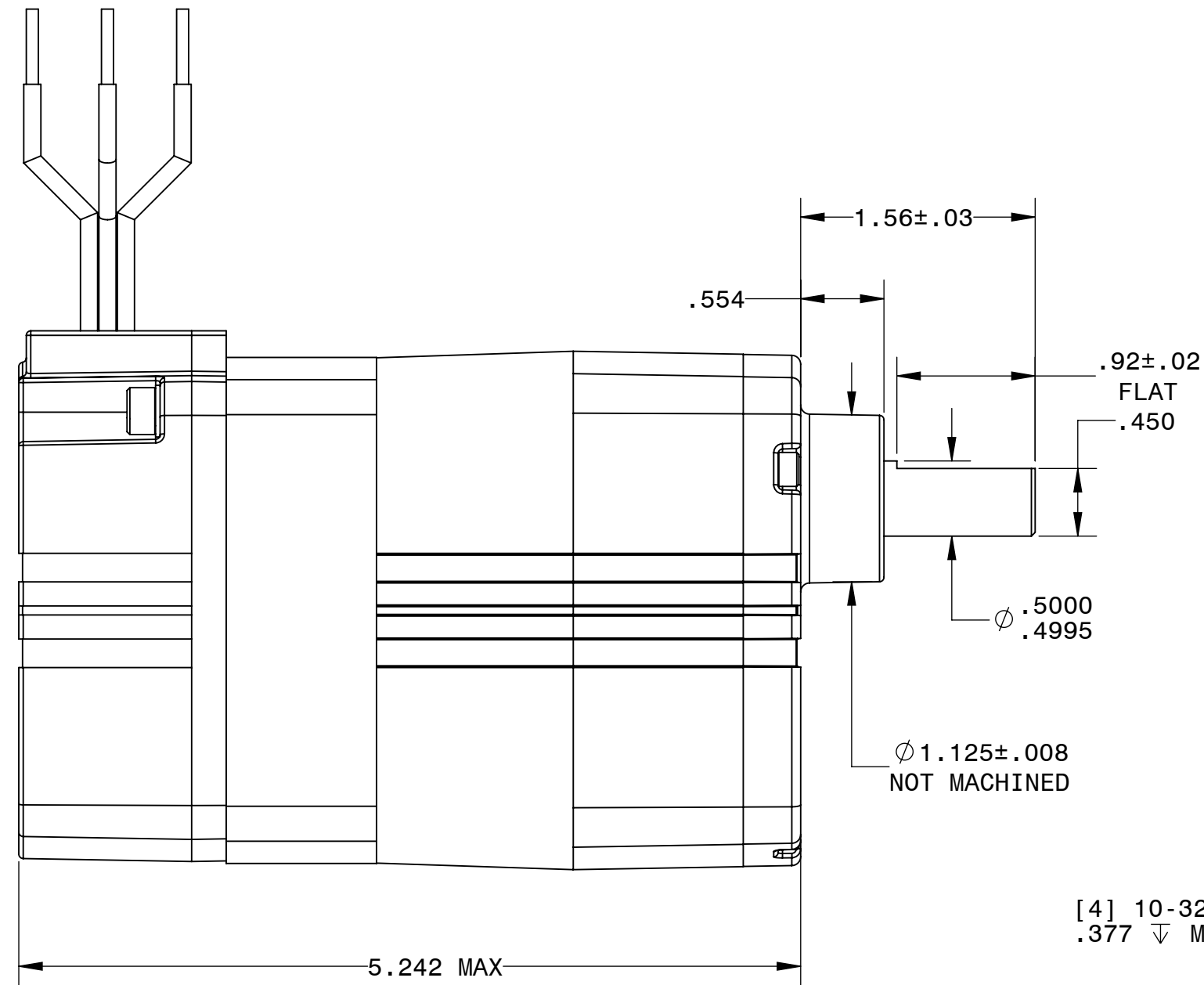
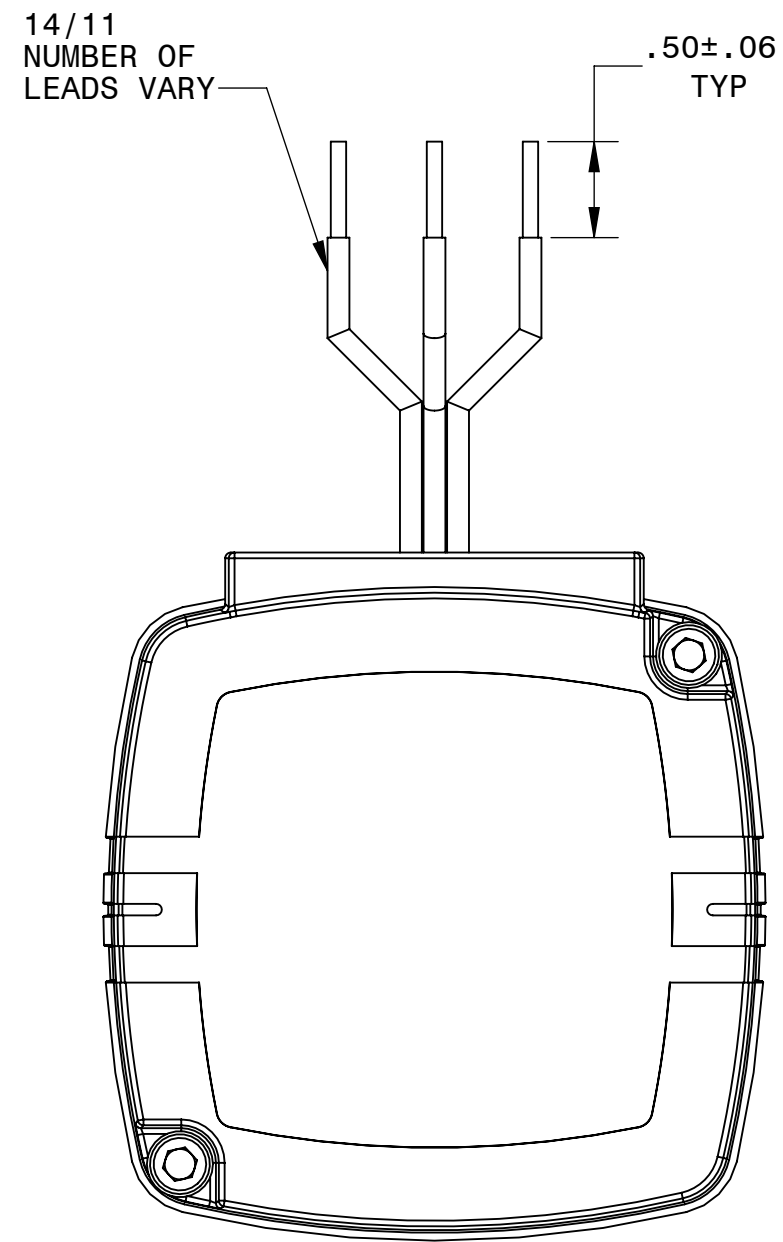
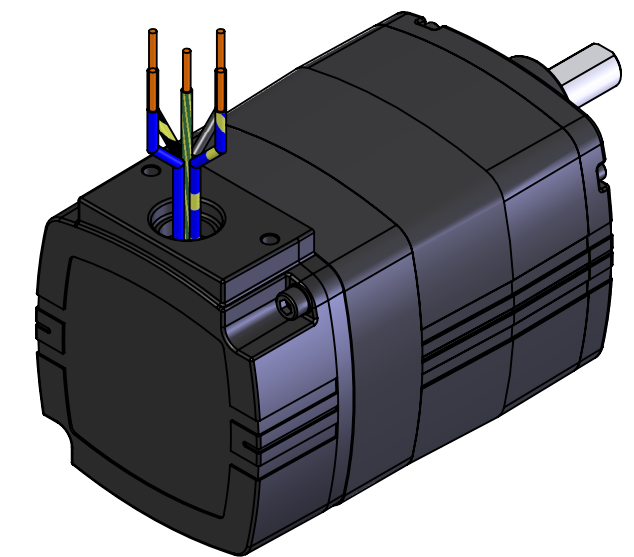




DESCRIPTION: GEARMOTOR 30R1BECI-D4/5	
SHEET: 1/1	UNLESS OTHERWISE SPECIFIED:
SCALE: 1:1	UNITS ARE IN INCHES [mm]
C	TOLERANCES: .XX:±.01 .XXX:±.005
	ANGLES: X°:±3° X.X°:±0.5°



[4] 10-32 UNF-2B
.377 ∇ MIN



REPRESENTATIVE OF MODEL NUMBER(S):
5461 5462 5463