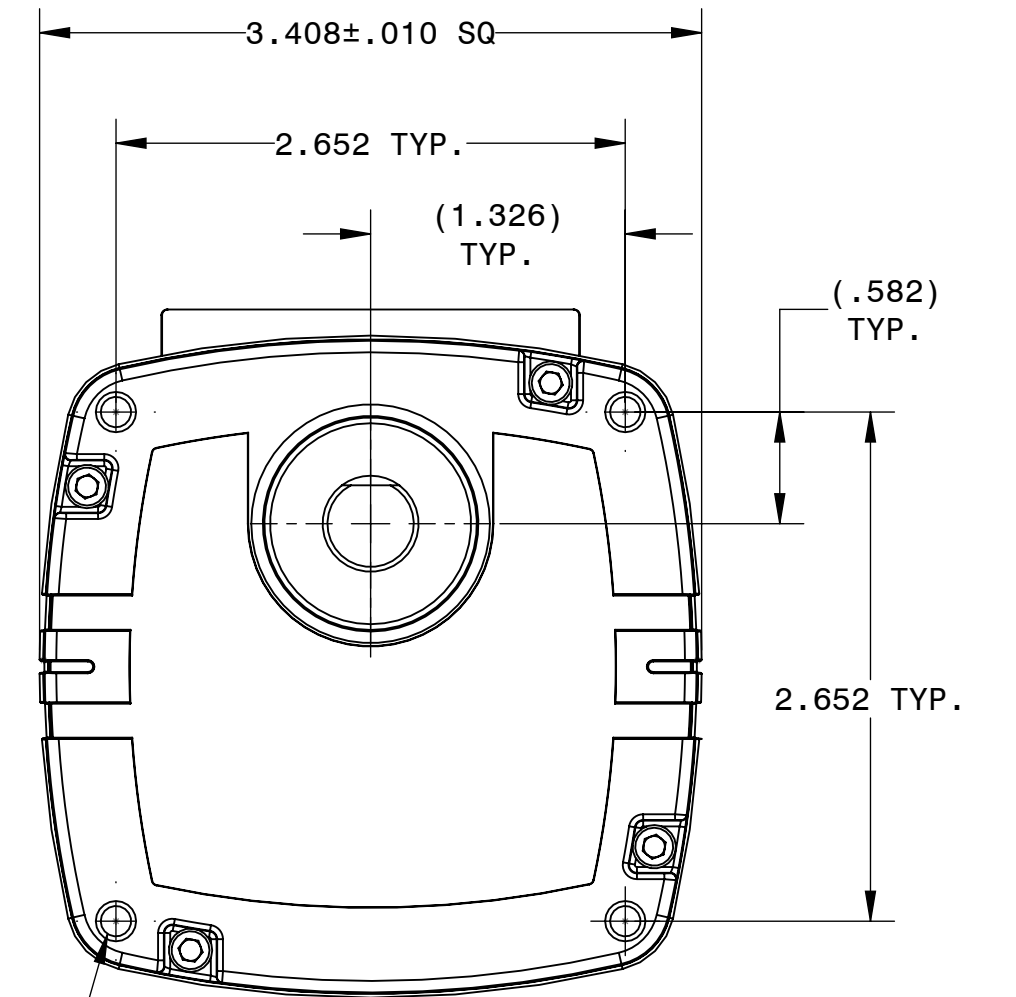
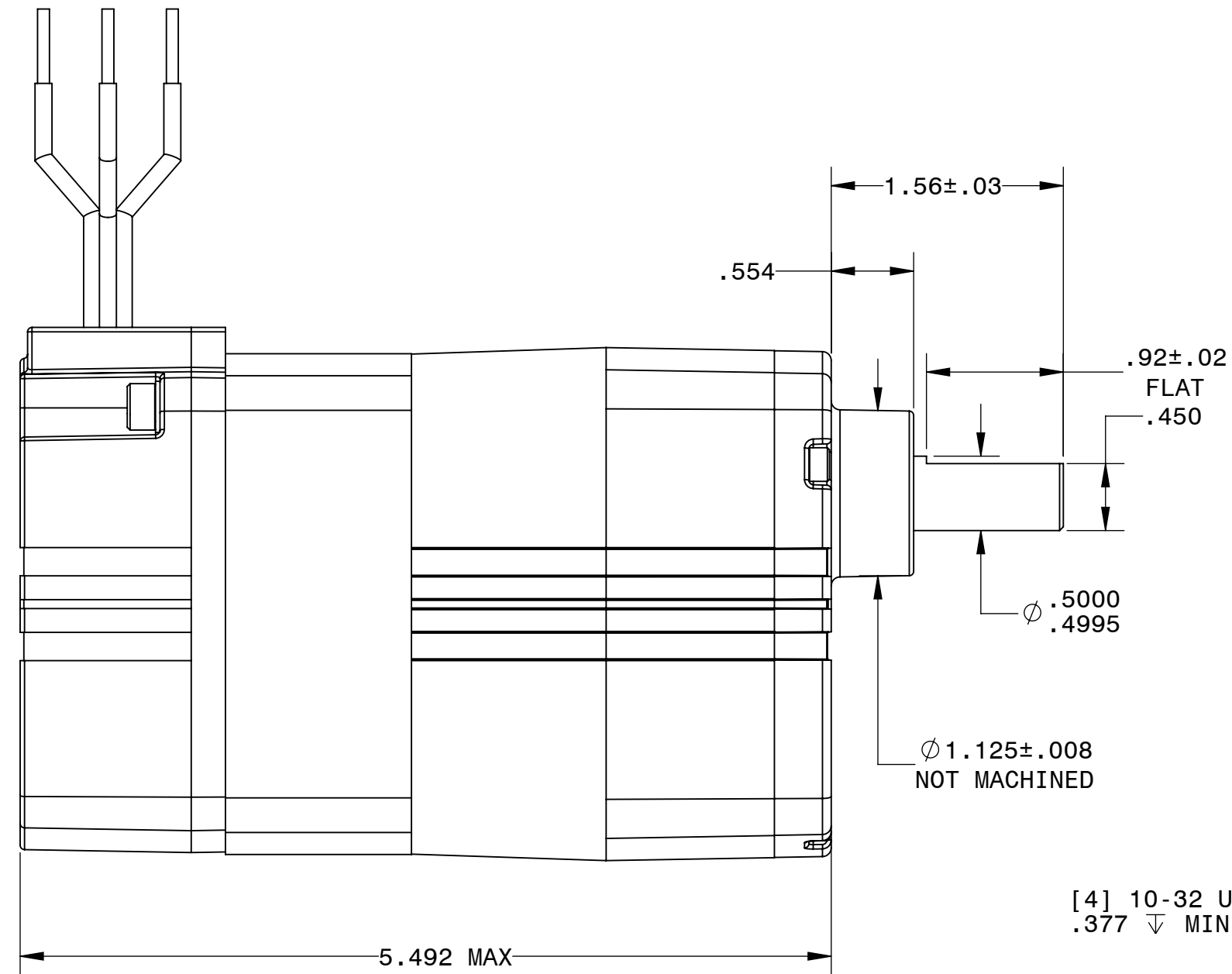
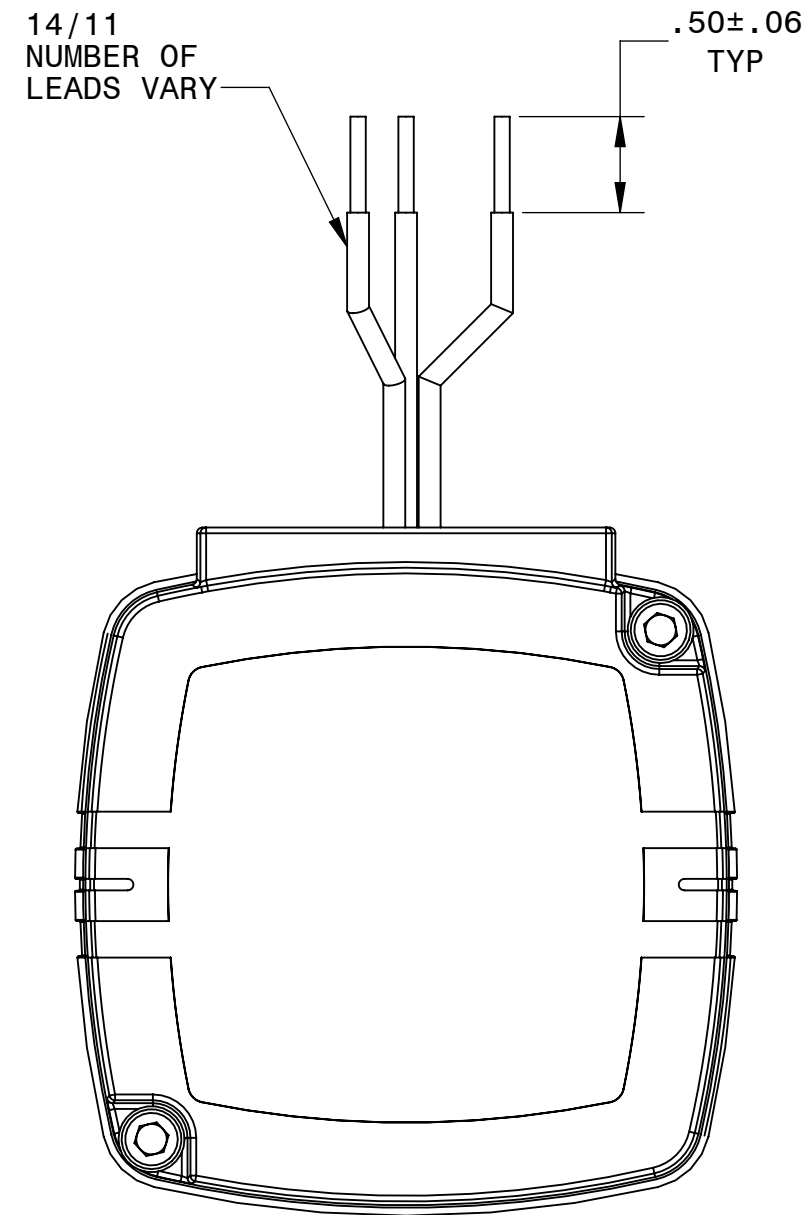


DESCRIPTION: GEARMOTOR 30R2BEPP/CI-D3/4	
SHEET: 1/1	UNLESS OTHERWISE SPECIFIED:
SCALE: 1:1	UNITS ARE IN INCHES [mm]
C	TOLERANCES: .XX:±.01 .XXX:±.005 ANGLES: X°:±3° X.X°:±0.5°



REPRESENTATIVE OF MODEL NUMBER(S):
2210 2212 2214 5470 5471 5472 5473 5474

