

4

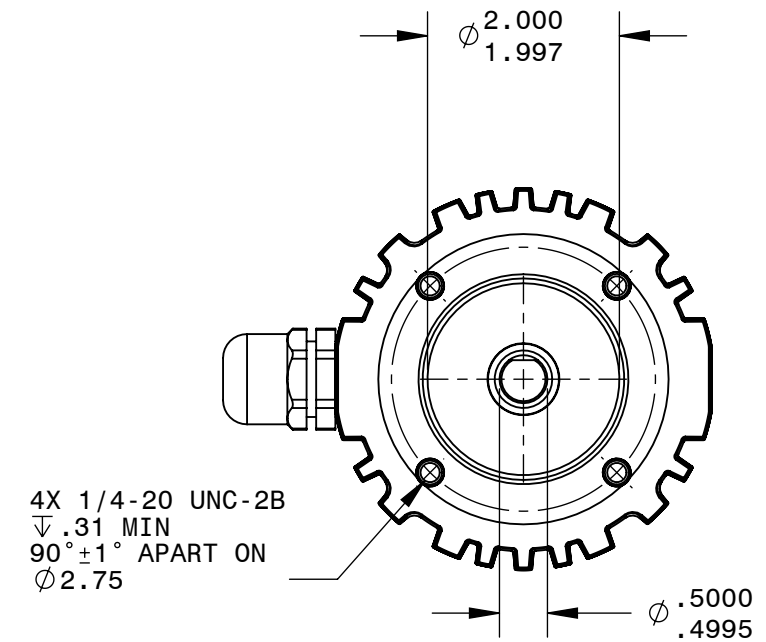
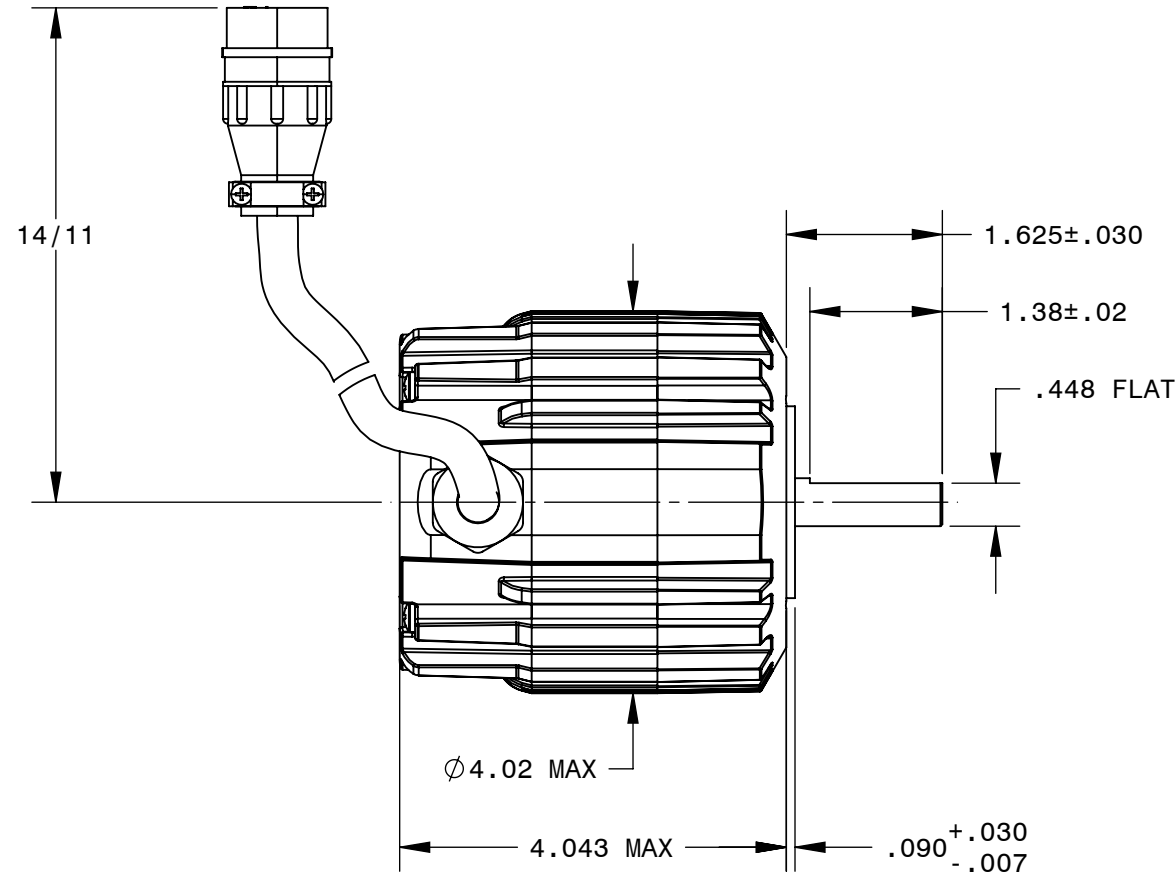
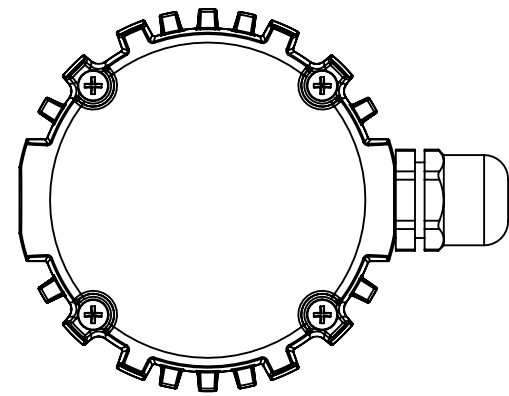
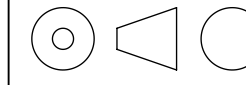
3

2

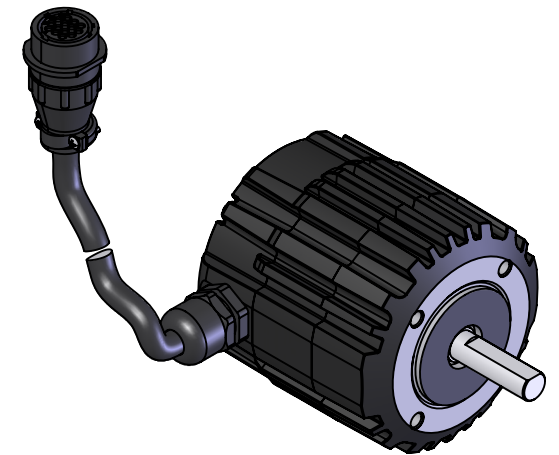
1

BODINE ELECTRIC COMPANY

PART NO./REV: INFM0282 A	
DESCRIPTION: MOTOR 34B3BEBL	
SHEET: 1/1	UNLESS OTHERWISE SPECIFIED:
SCALE: 1:2	UNITS ARE IN INCHES [mm]
B	TOLERANCES: .XX:±.01 .XXX:±.005
	ANGLES: X°:±3° X.X°:±0.5°



REPRESENTATIVE OF MODEL NUMBER(S):
 3306



4

3

2

1