

4

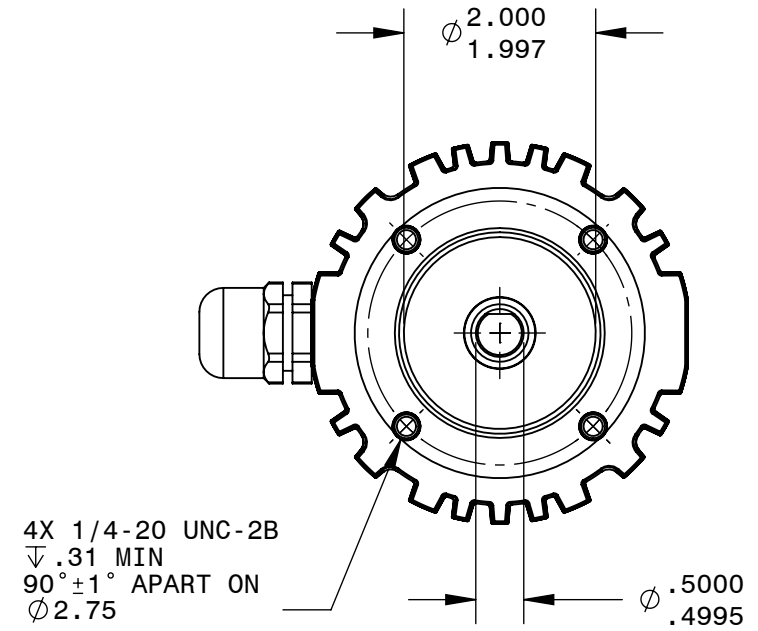
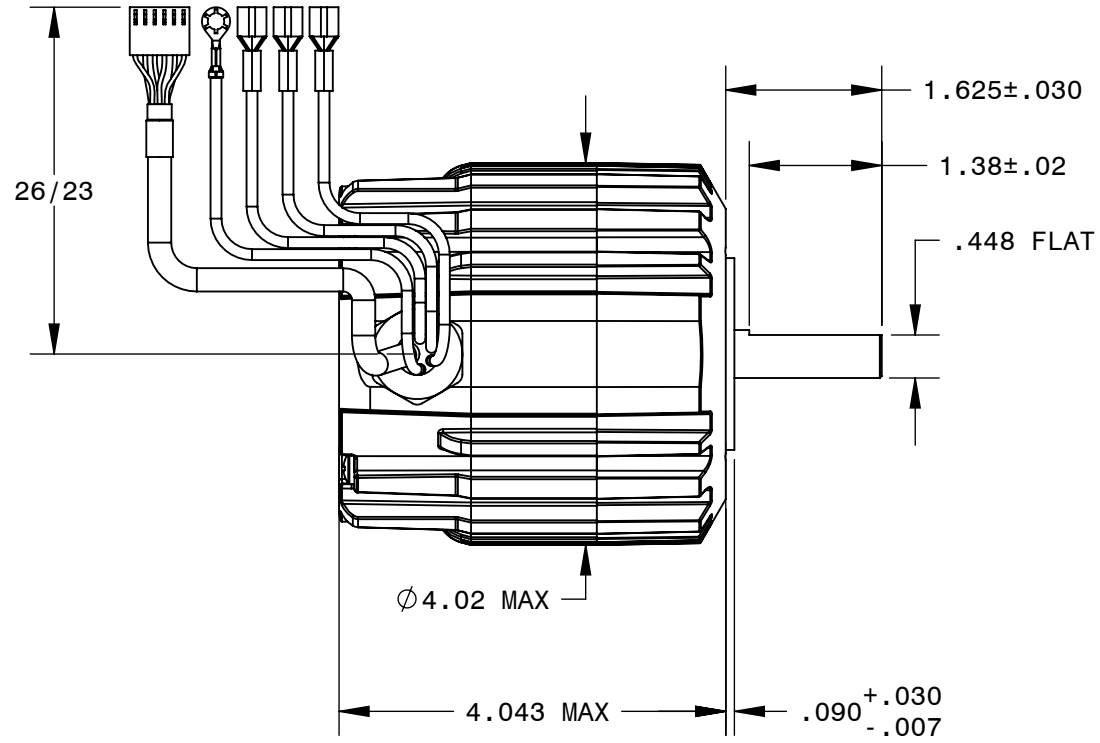
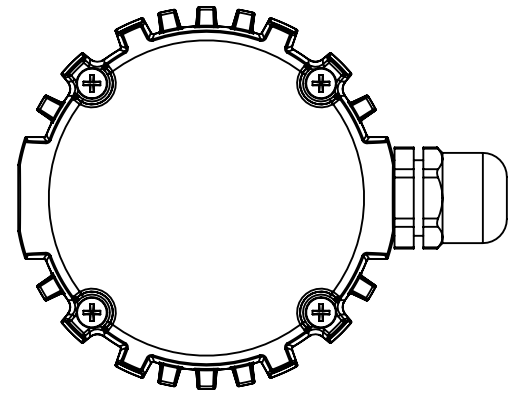
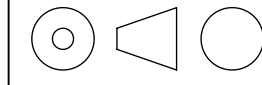
3

2

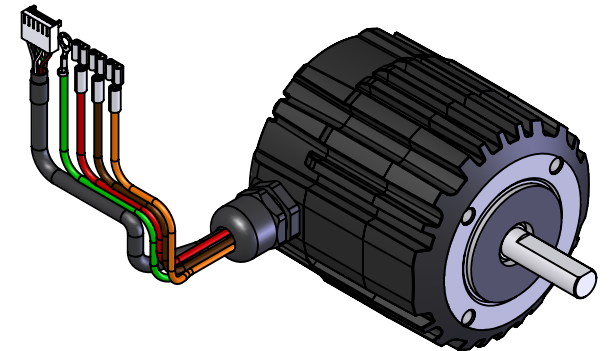
1

# BODINE ELECTRIC COMPANY

PART NO./REV: <b>INFM0283</b>		<b>A</b>
DESCRIPTION: <b>MOTOR 34B3BEBL</b>		
SHEET: <b>1/1</b>	UNLESS OTHERWISE SPECIFIED:	
SCALE: <b>1:2</b>	UNITS ARE IN INCHES [mm]	
<b>B</b>	TOLERANCES: .XX:±.01 .XXX:±.005	
	ANGLES: X°:±3° X.X°:±0.5°	



REPRESENTATIVE OF MODEL NUMBER(S):  
3500



4

3

2

1