

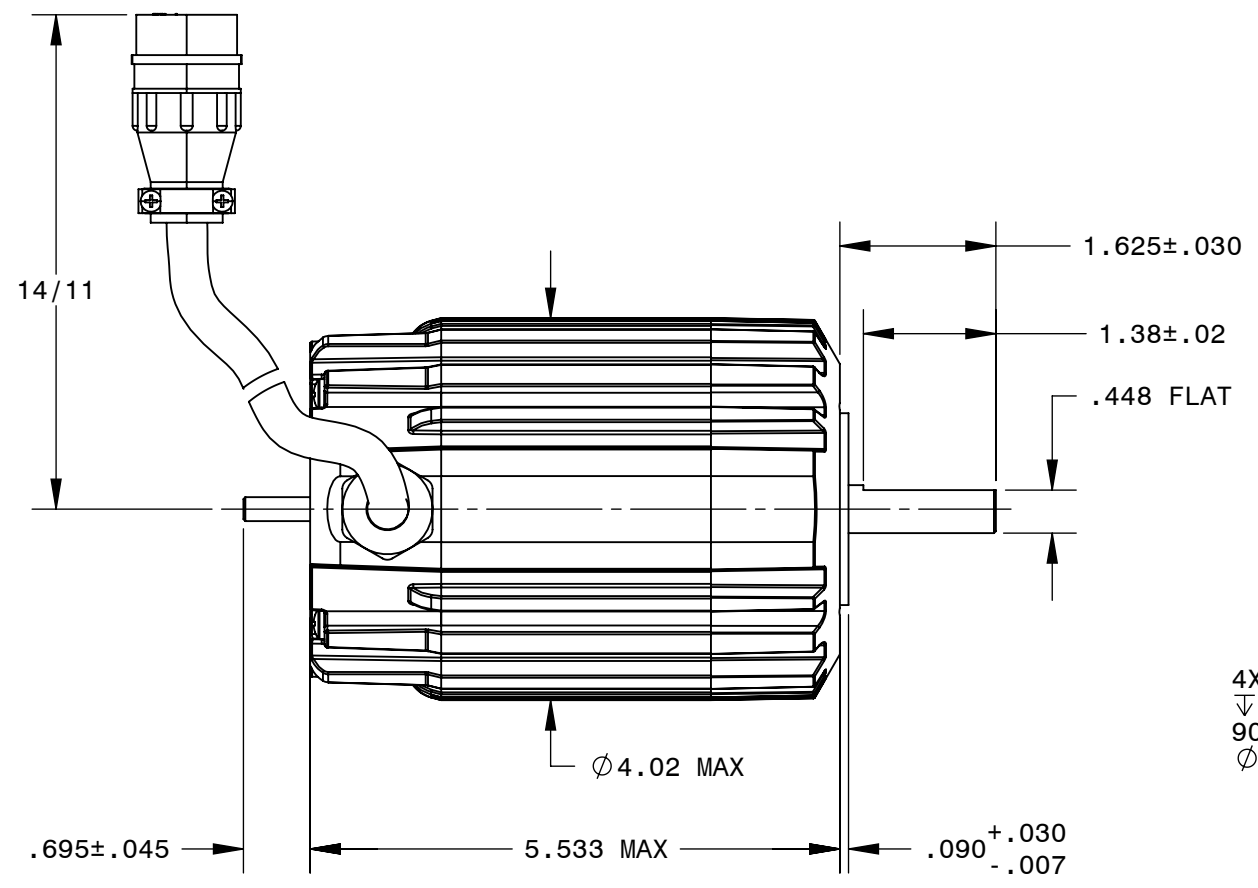
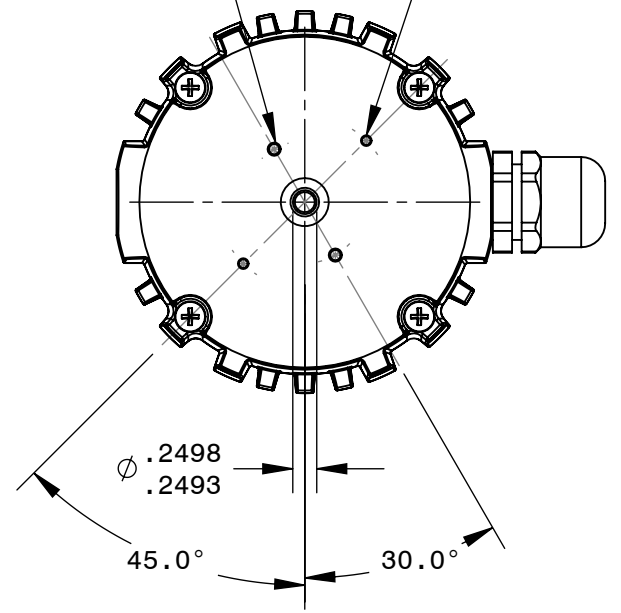
BODINE ELECTRIC COMPANY

PART NO./REV: INFM0285 A	
DESCRIPTION: MOTOR 34B6FEBL	
SHEET: 1/1	UNLESS OTHERWISE SPECIFIED:
SCALE: 1:2	UNITS ARE IN INCHES [mm]
B	TOLERANCES: .XX:±.01 .XXX:±.005 ANGLES: X°:±3° X.X°:±0.5°

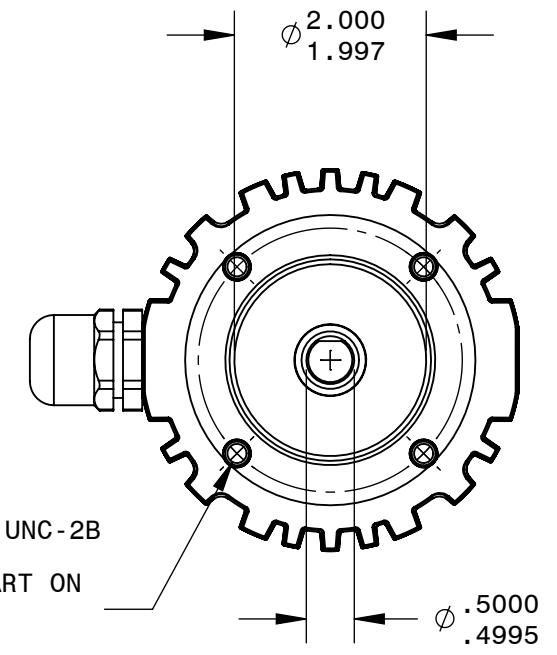


2X 6-32 UNC-2B
↓.19 MAX
180.0° APART ON
Ø1.274

2X 4-40 UNC-2B
↓.19 MAX
180.0° APART ON
Ø1.812



4X 1/4-20 UNC-2B
↓.31 MIN
90°±1° APART ON
Ø2.75



REPRESENTATIVE OF MODEL NUMBER(S):
3409

