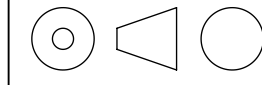


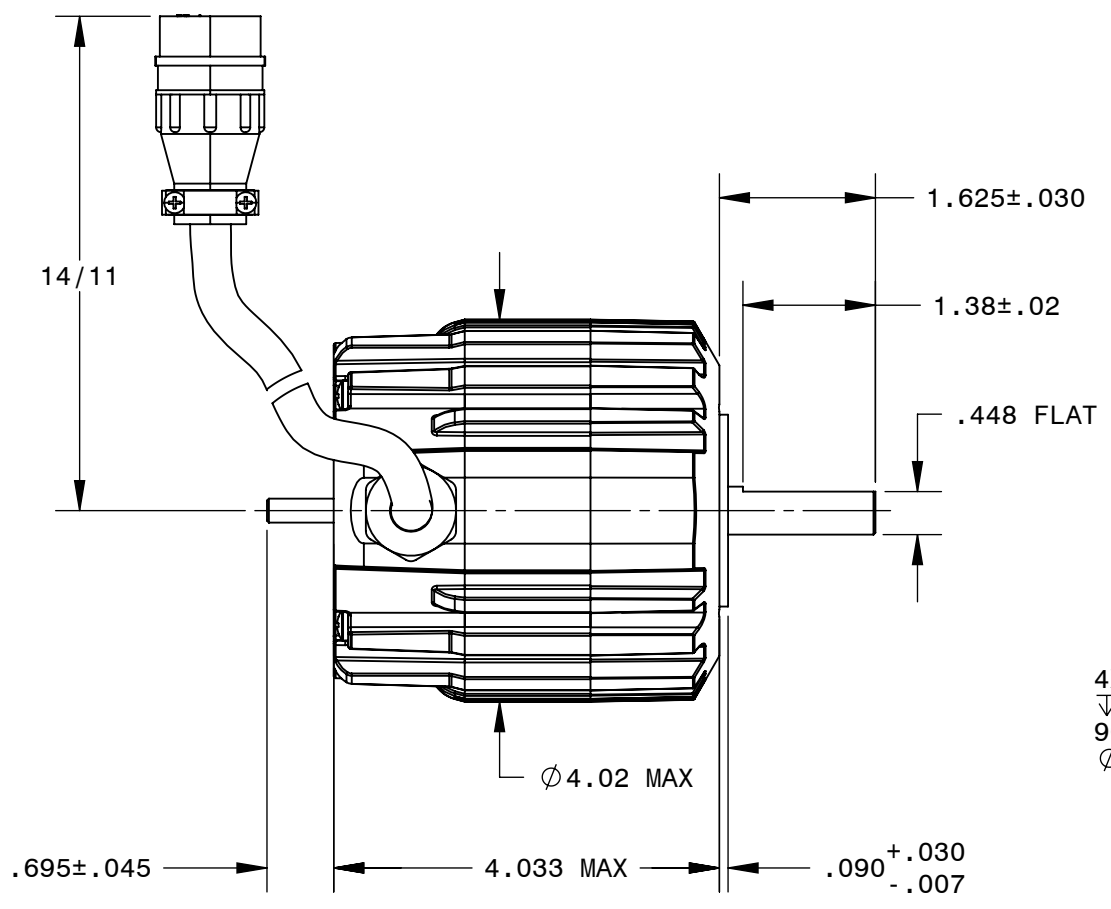
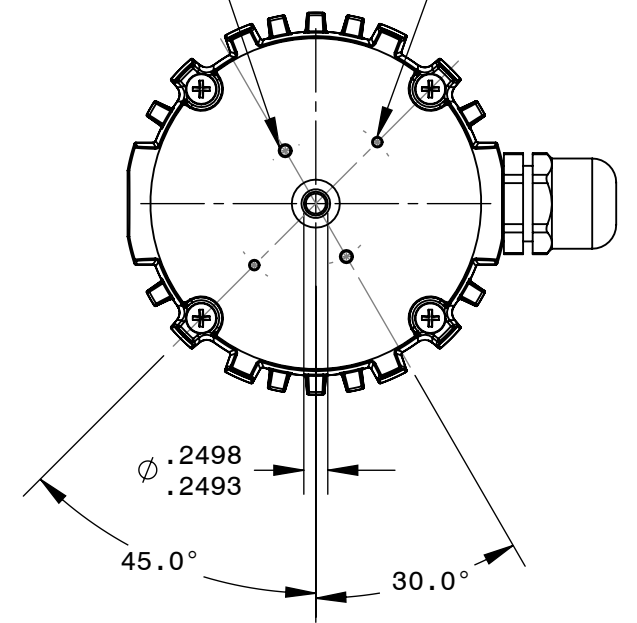
BODINE ELECTRIC COMPANY

PART NO./REV:	INFM0286	A
DESCRIPTION:	MOTOR 34B3FEBL	
SHEET:	1/1	UNLESS OTHERWISE SPECIFIED:
SCALE:	1:2	UNITS ARE IN INCHES [mm]
<b>B</b>		TOLERANCES: .XX:±.01 .XXX:±.005
		ANGLES: X°:±3° X.X°:±0.5°

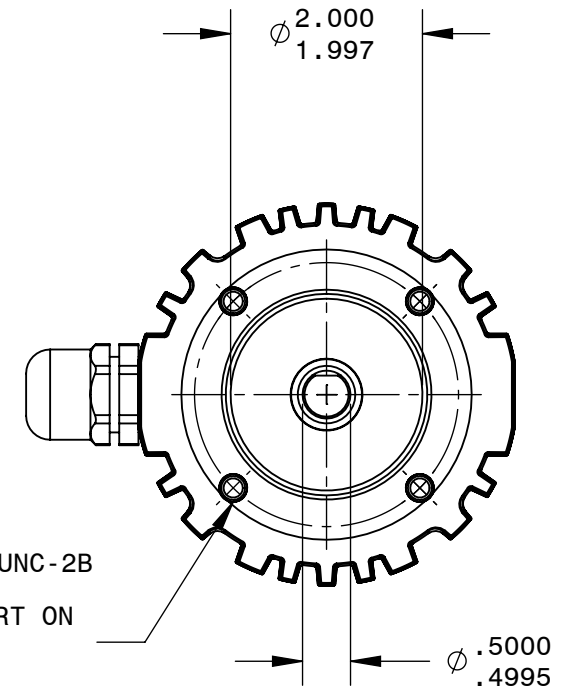


2X 6-32 UNC-2B  
 ↓.19 MAX  
 180.0° APART ON  
 Ø1.274

2X 4-40 UNC-2B  
 ↓.19 MAX  
 180.0° APART ON  
 Ø1.812



4X 1/4-20 UNC-2B  
 ↓.31 MIN  
 90°±1° APART ON  
 Ø2.75



REPRESENTATIVE OF MODEL NUMBER(S):  
 3406

