

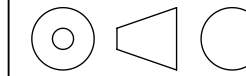
4

3

2

BODINE ELECTRIC COMPANY

PART NO./REV: INFM0293 B	
DESCRIPTION: MOTOR KCI-26 METRIC	
SHEET: 1/1	UNLESS OTHERWISE SPECIFIED:
SCALE: 1:1	UNITS ARE IN mm [INCHES]
ANGLES: X°:±3° X.X°:±0.5°	
B	



D

D

C

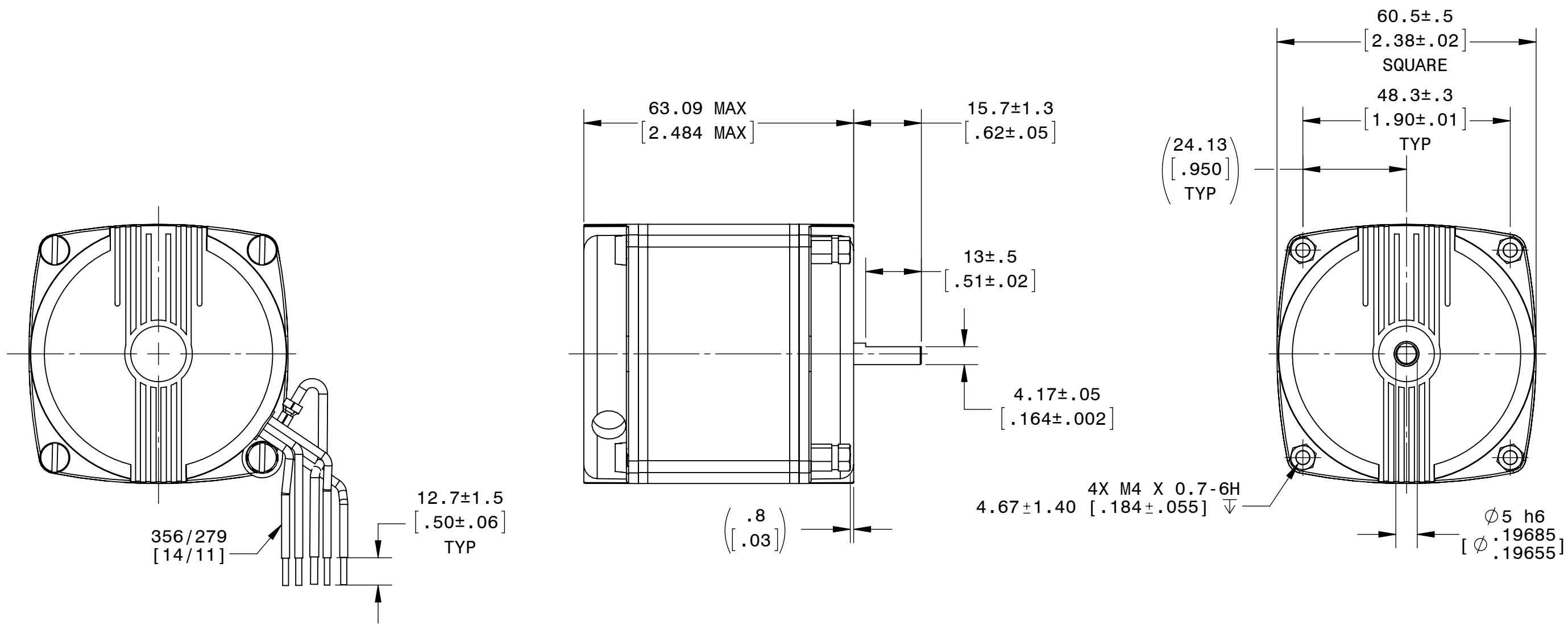
C

B

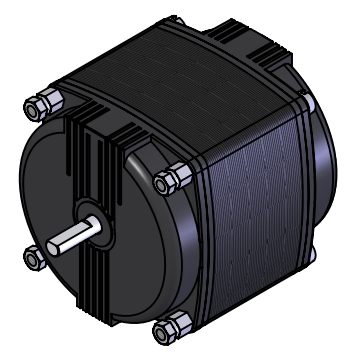
B

A

A



REPRESENTATIVE OF MODEL NUMBER(S):
1713



4

3

2

1