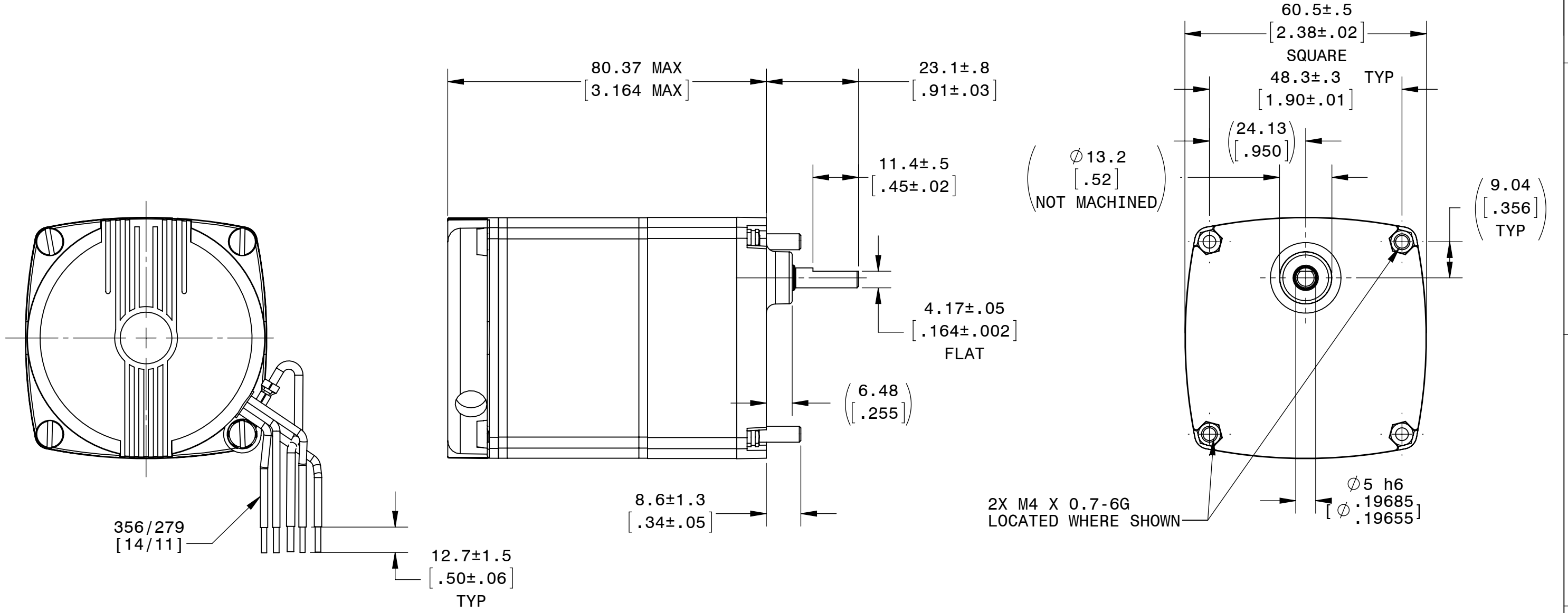


BODINE ELECTRIC COMPANY

PART NO./REV:	INFM0294	B
DESCRIPTION:	GEARMOTOR KCI-26A2 METRIC	
SHEET:	1/1	
SCALE:	1:1	
	UNLESS OTHERWISE SPECIFIED: UNITS ARE IN mm [INCHES] ANGLES: X°:±3° X.X°:±0.5°	
B		



REPRESENTATIVE OF MODEL NUMBER(S):
1752 1753 1754

