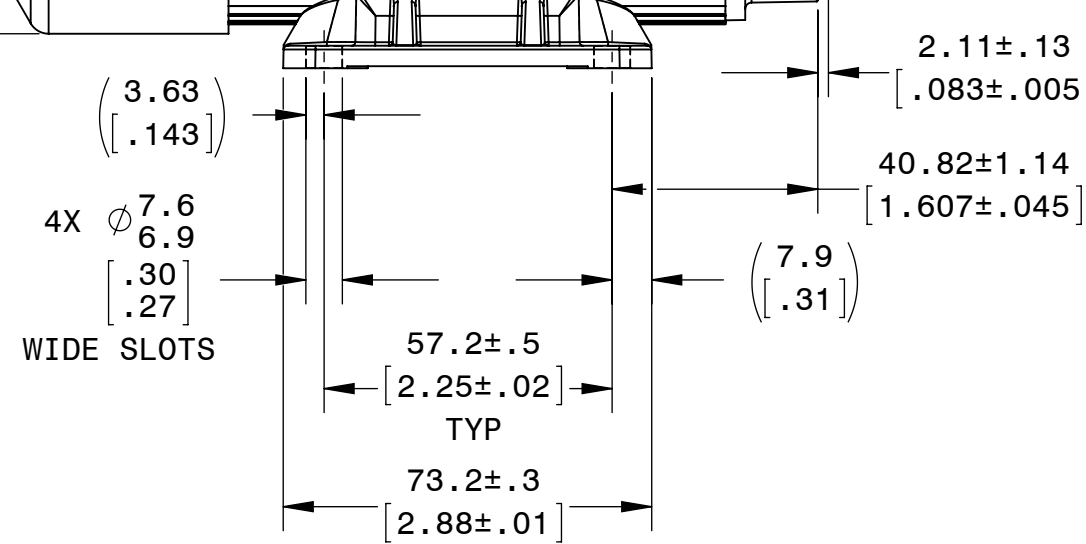
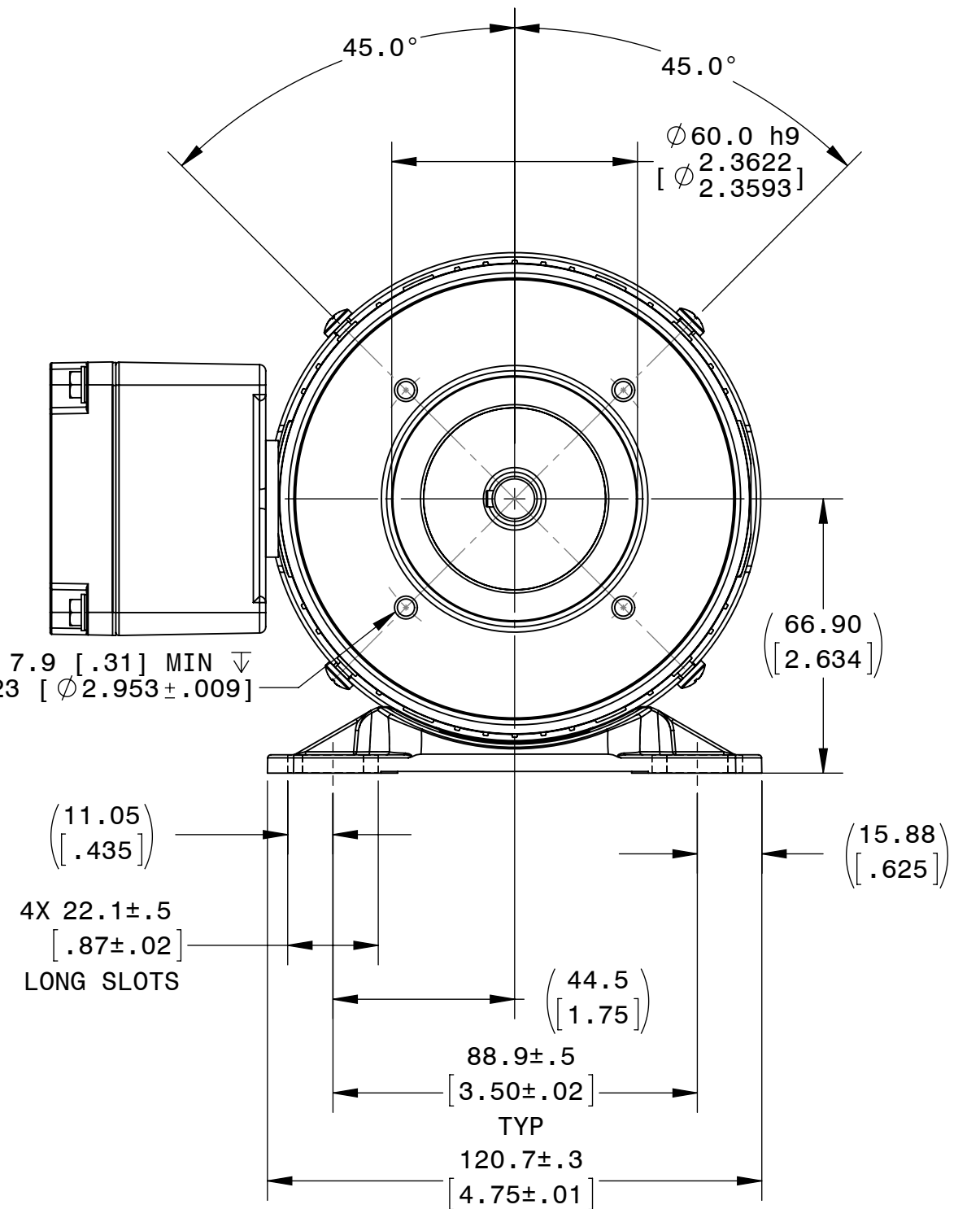
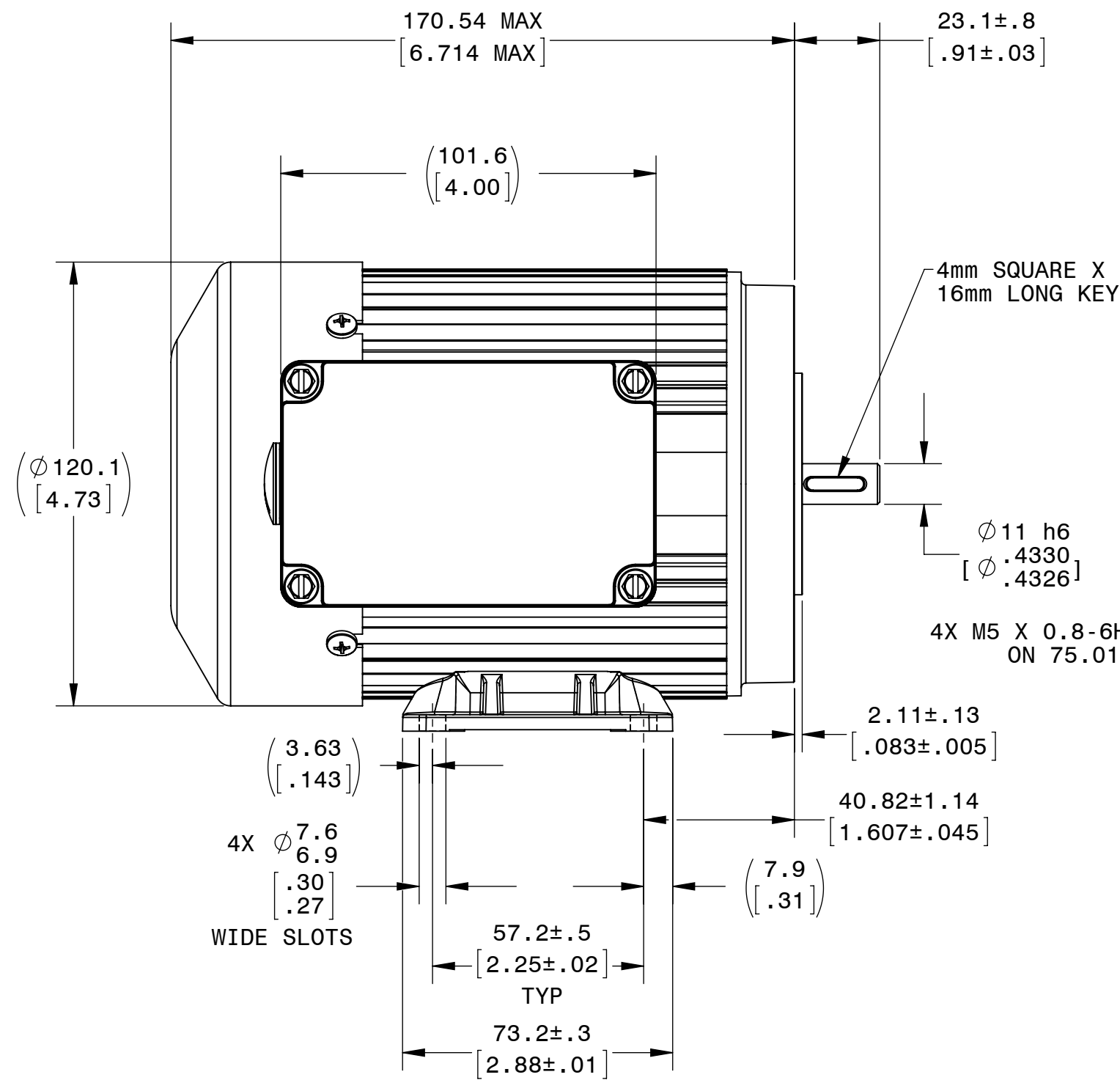
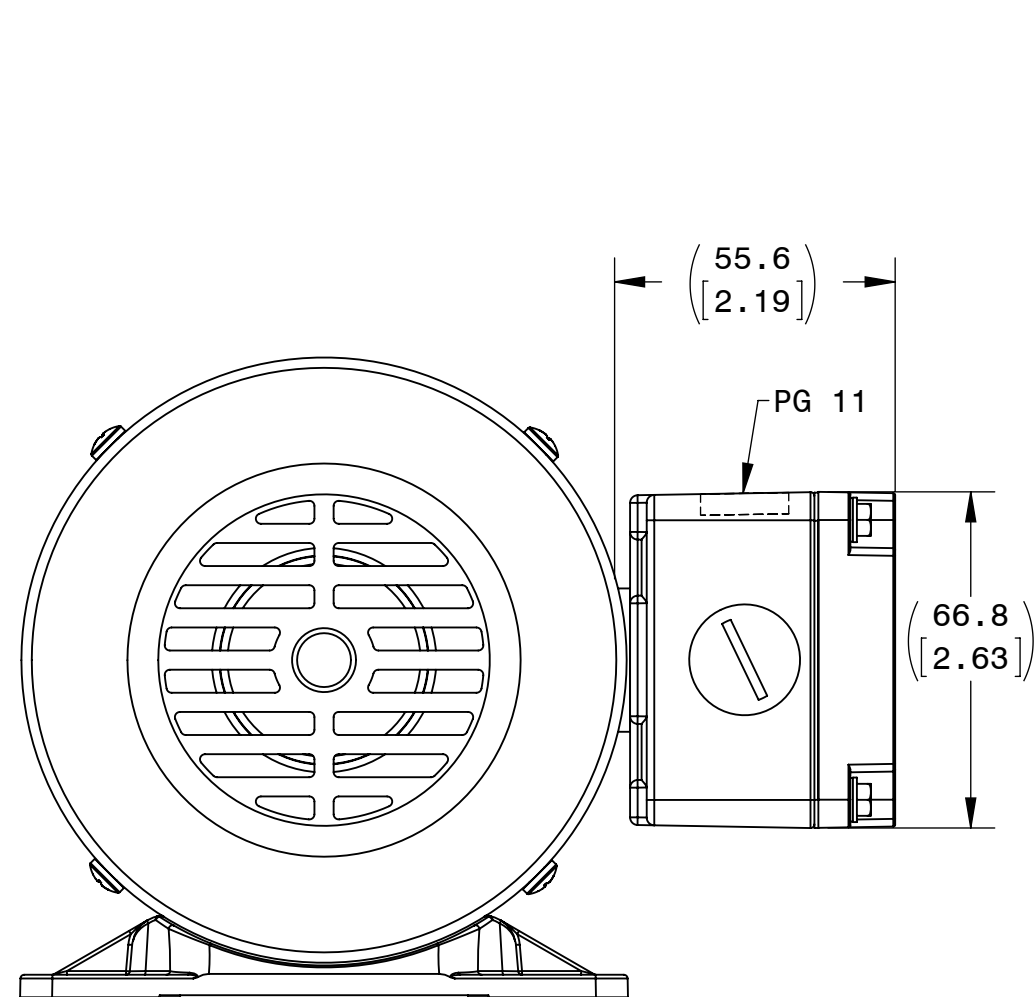


DESCRIPTION:
MOTOR 42R5BFPP/CI METRIC

SHEET: 1/1
SCALE: 2:3
C

UNLESS OTHERWISE SPECIFIED:
UNITS ARE IN mm [INCHES]
ANGLES: X°:±3° X.X°:±0.5°



REPRESENTATIVE OF MODEL NUMBER(S):
1273 1358

