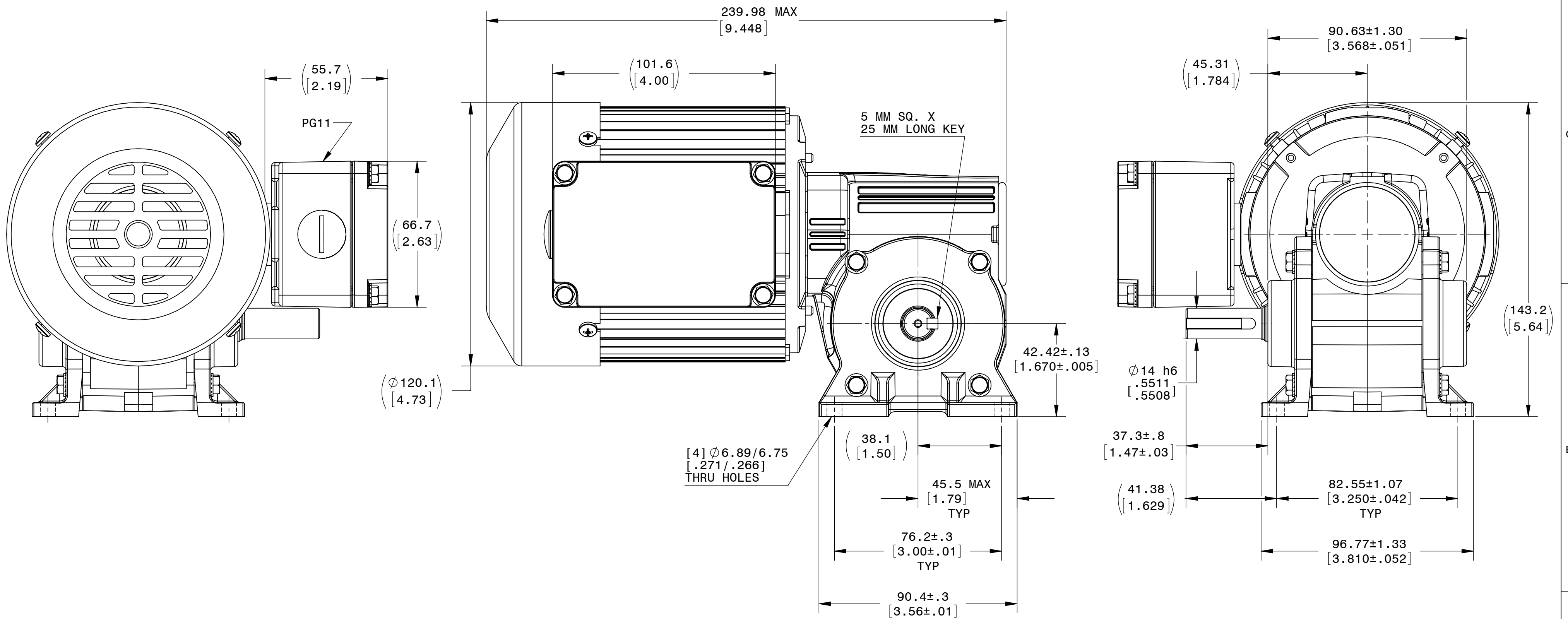


DESCRIPTION:
GEARMOTOR 42R4BFCI-5F METRIC

SHEET: 1/1	UNLESS OTHERWISE SPECIFIED:
SCALE: 3:4	UNITS ARE IN mm [INCHES]
C	ANGLES: X°:±3° X.X°:±0.5°



REPRESENTATIVE OF MODEL NUMBER(S):

1623 1624 1627

