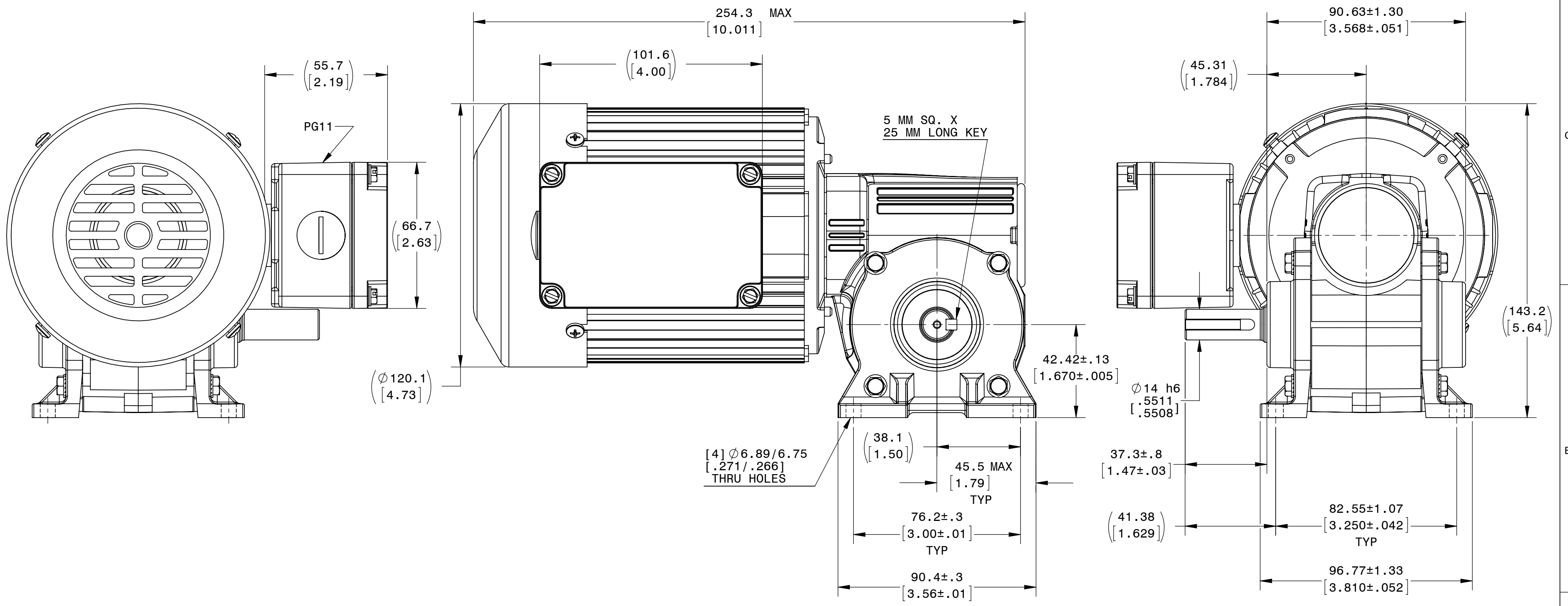


DESCRIPTION:
GEARMOTOR 42R5BFPP/CI-5N METRIC

SHEET: 1/1	UNLESS OTHERWISE SPECIFIED:
SCALE: 3:4	UNITS ARE IN mm [INCHES]
C	ANGLES: X°:±3° X.X°:±0.5°



REPRESENTATIVE OF MODEL NUMBER(S):
1633 1677 1678

