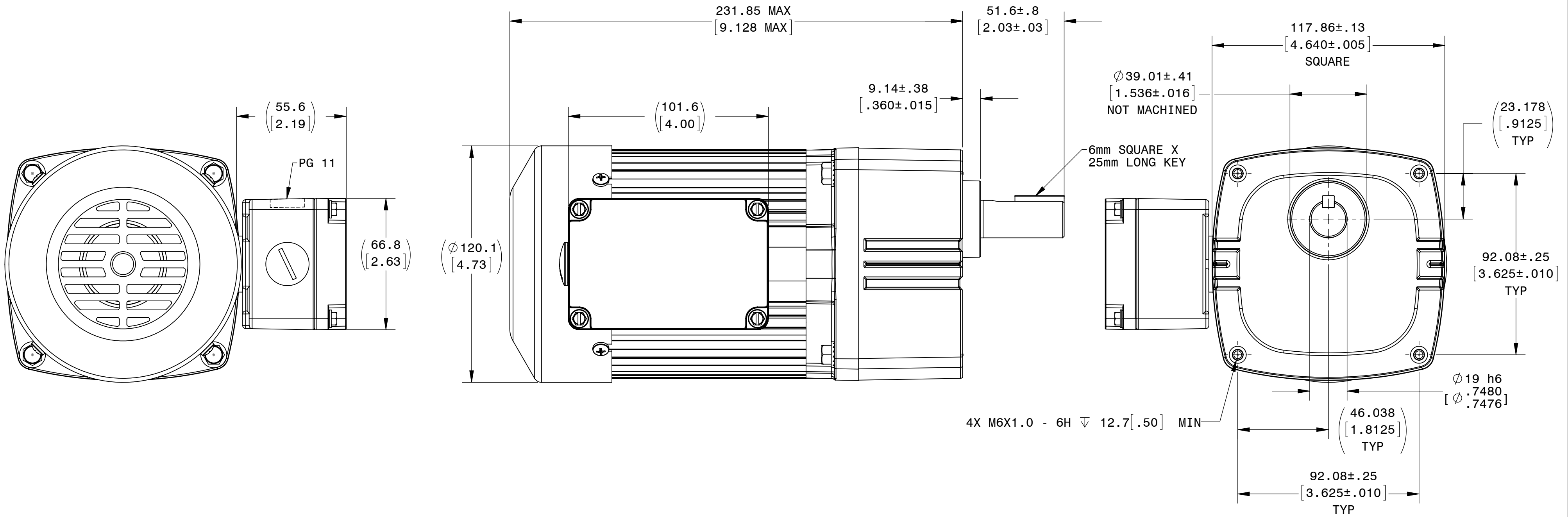




DESCRIPTION:  
GEARMOTOR 42R5BF-E METRIC

SHEET: 1/1  
SCALE: 2:3  
C

UNLESS OTHERWISE SPECIFIED:  
UNITS ARE IN mm [INCHES]  
ANGLES: X°:±3° X.X°:±0.5°



REPRESENTATIVE OF MODEL NUMBER(S):

1653 1665 1669 1671 1679 1680 1681 1683 1685

