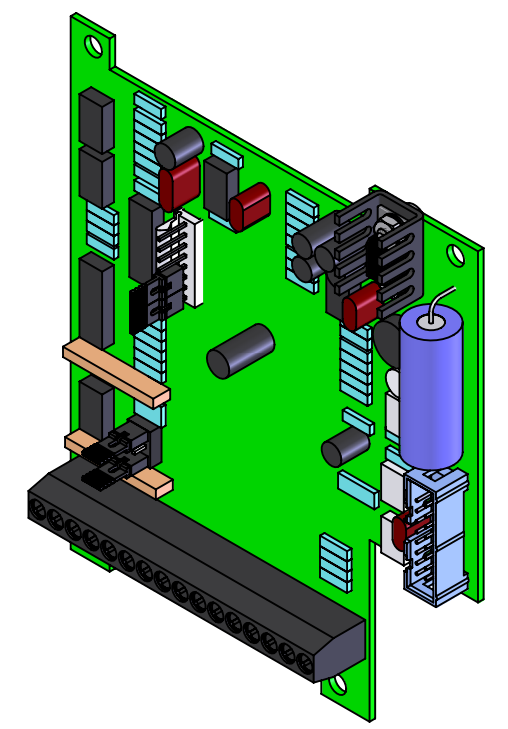
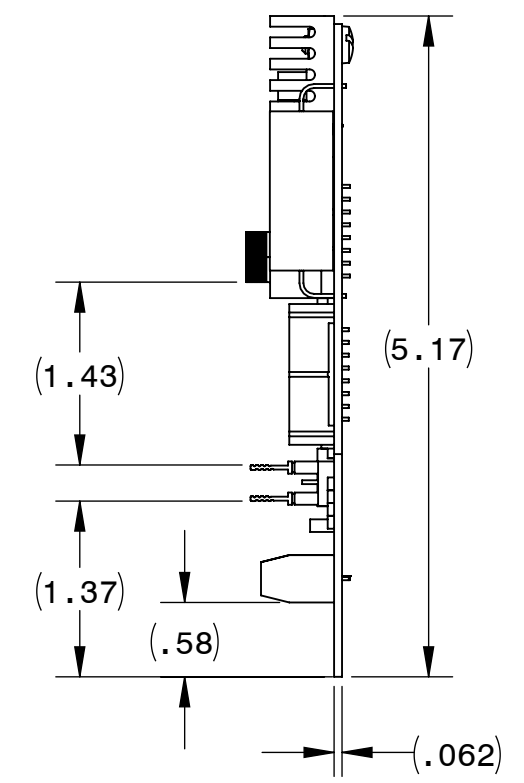
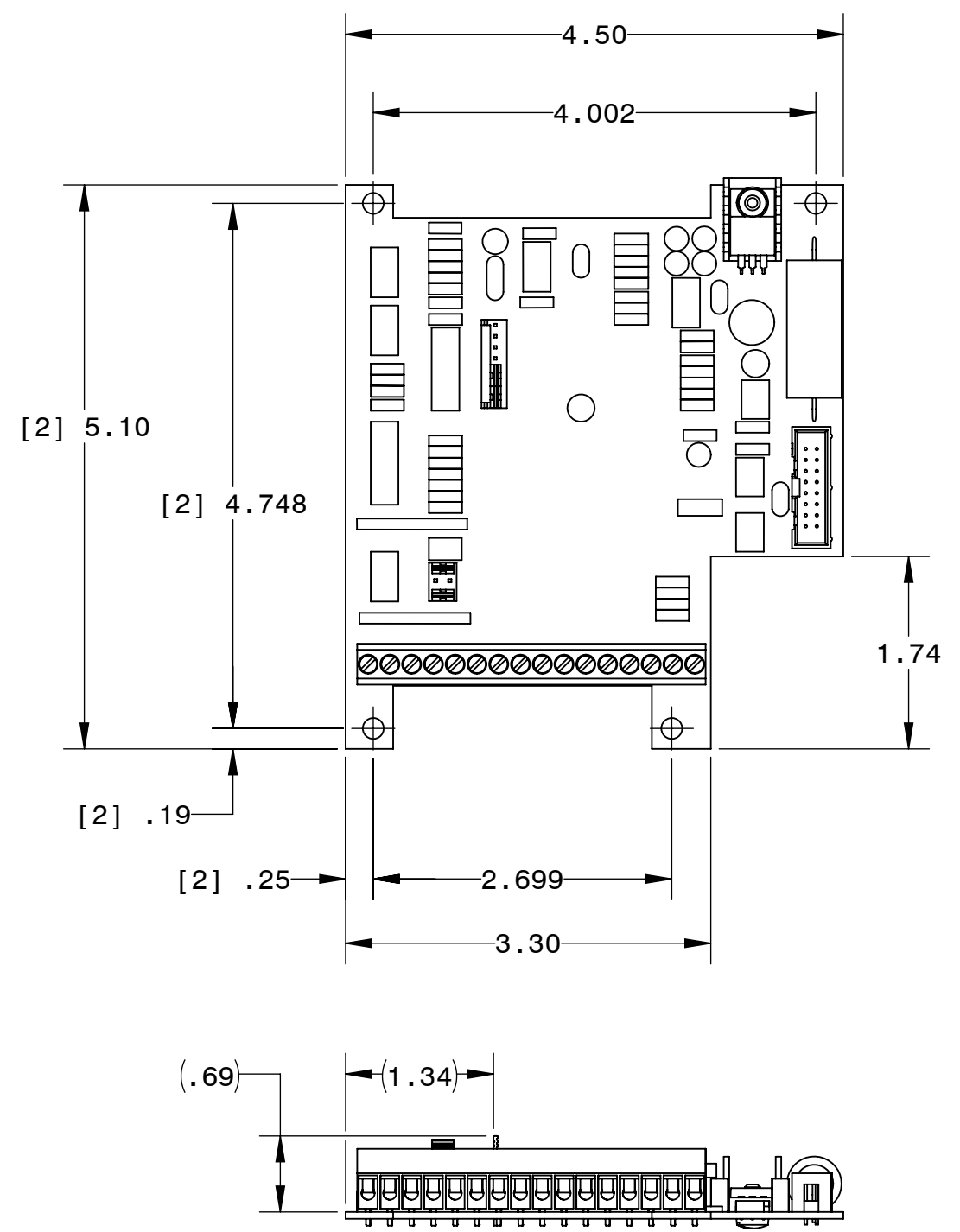
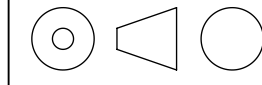


BODINE ELECTRIC COMPANY

PART NO./REV:	INFM0338	A
DESCRIPTION:	CONTROL FPM ANALOG INTERFACE MODEL 0888	
SHEET:	UNLESS OTHERWISE SPECIFIED:	
Sheet1	UNITS ARE IN INCHES [mm]	
SCALE:	TOLERANCES: .XX:±.01 .XXX:±.005	
2:3	ANGLES: X°:±3° X.X°:±0.5°	
B		



REPRESENTATIVE OF MODEL NUMBER(S):
0888