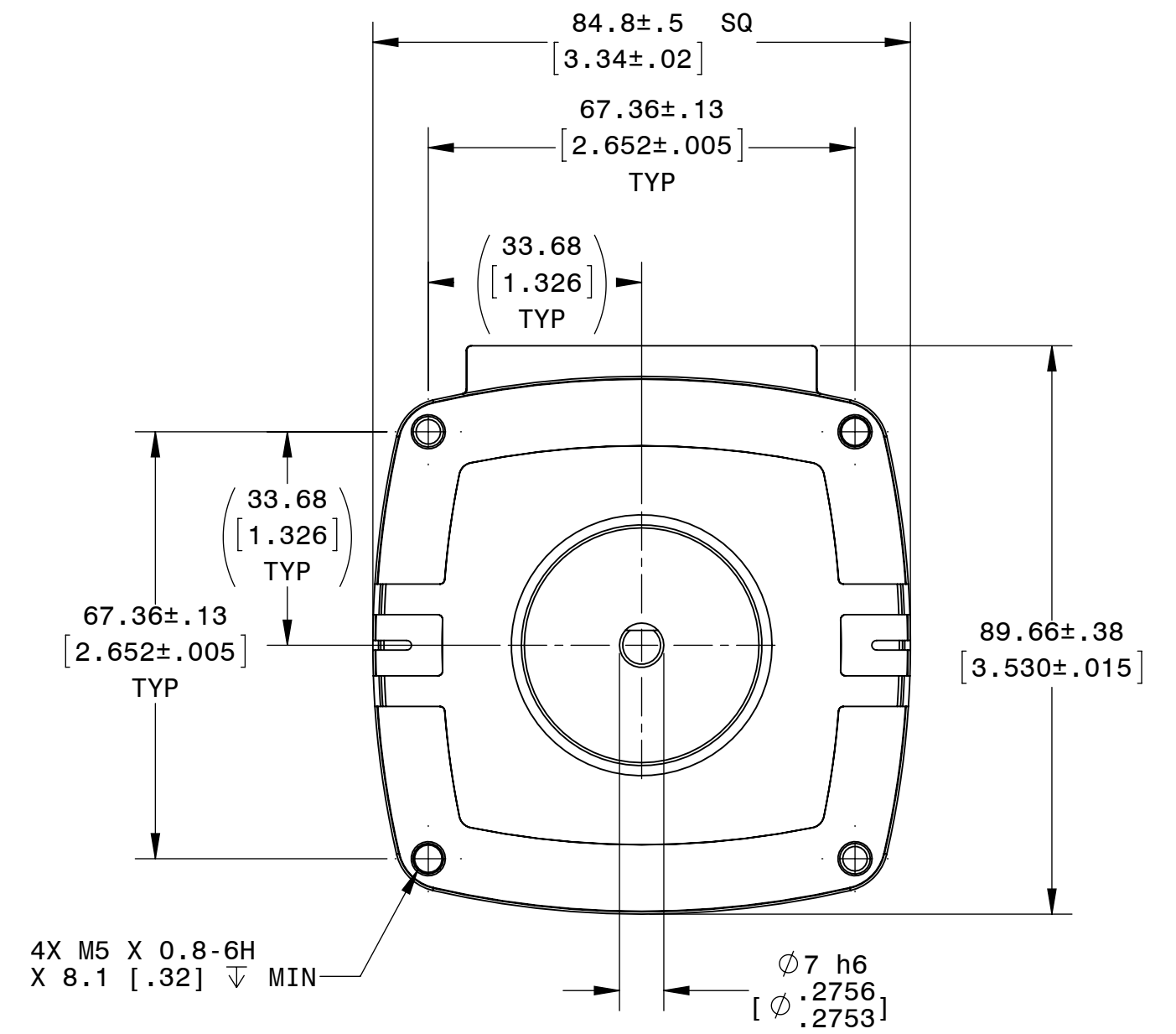
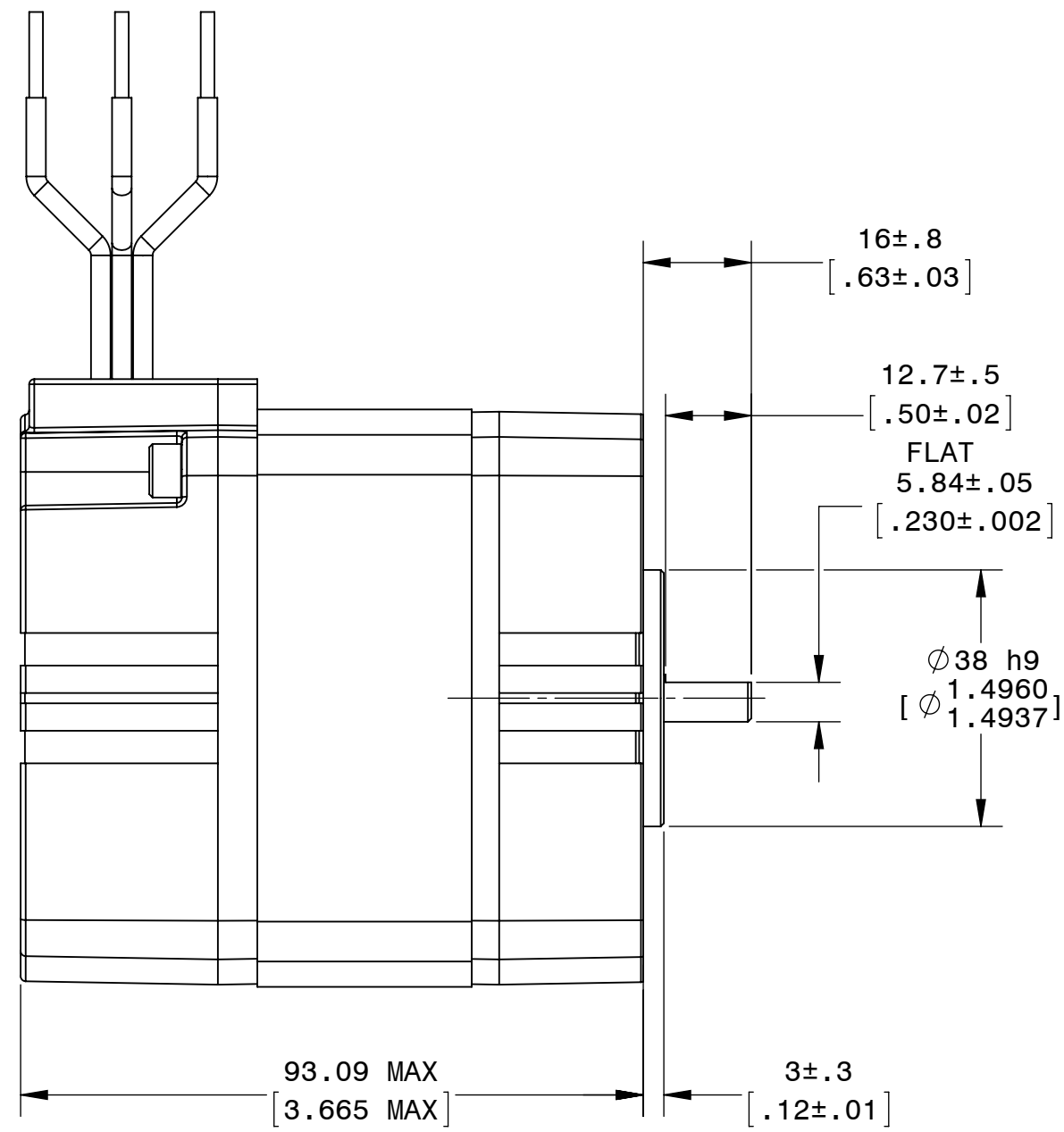
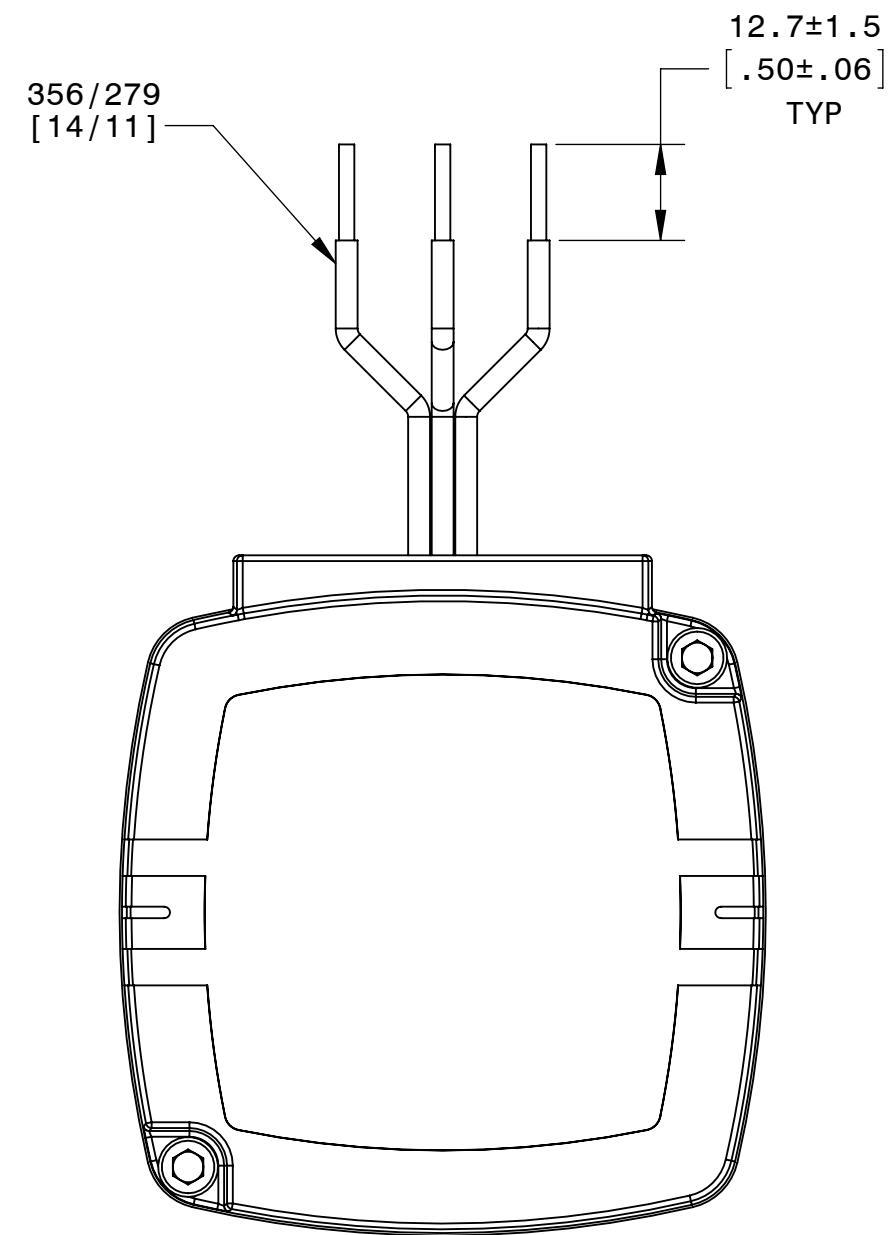


DESCRIPTION:
MOTOR 30R2BECI METRIC

SHEET: 1/1
SCALE: 1:1
UNLESS OTHERWISE SPECIFIED:
UNITS ARE IN mm [INCHES]
ANGLES: X°:±3° X.X°:±0.5°
C



REPRESENTATIVE OF MODEL NUMBER(S):
1319 1340

