

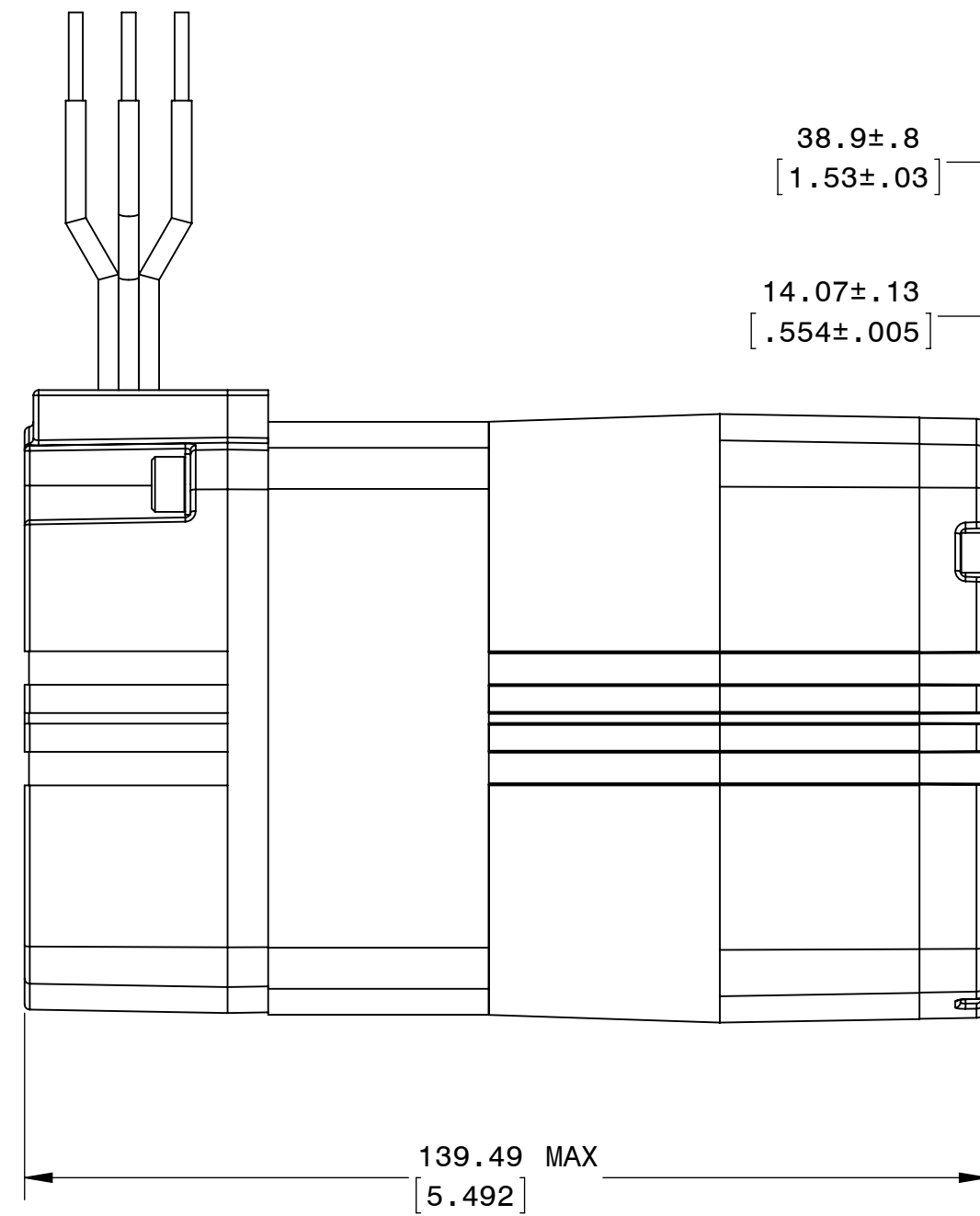
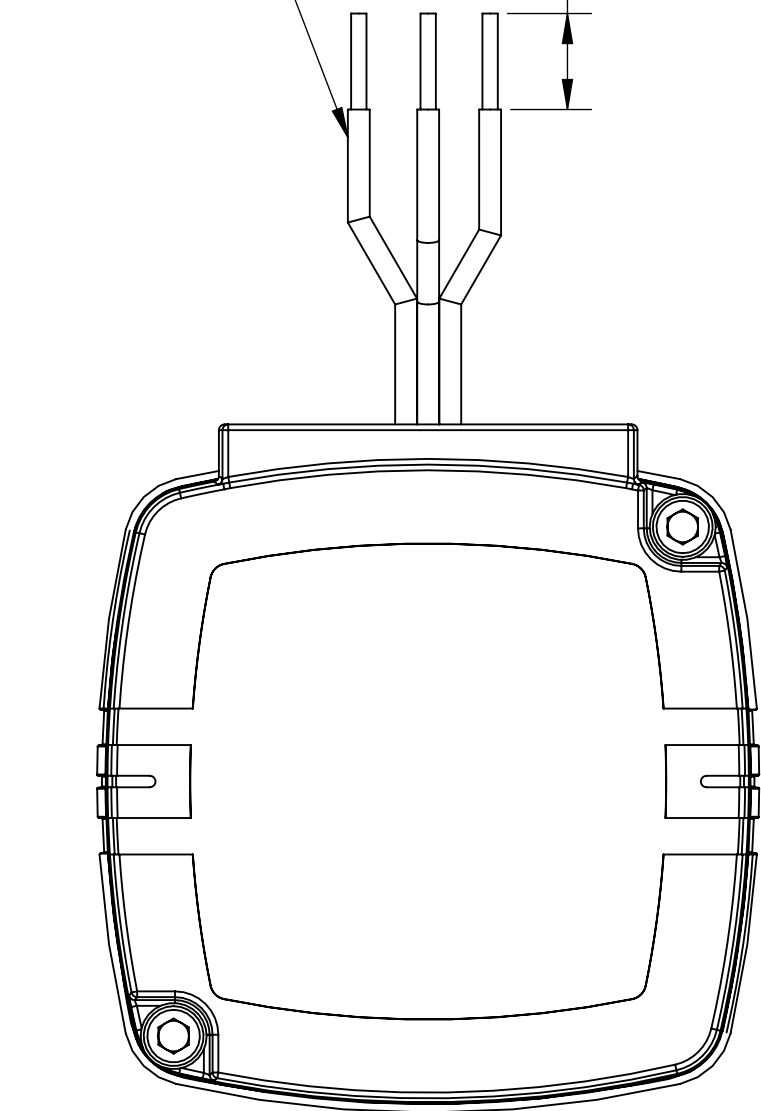


DESCRIPTION:  
GEARMOTOR 30R2BECI-D3 METRIC

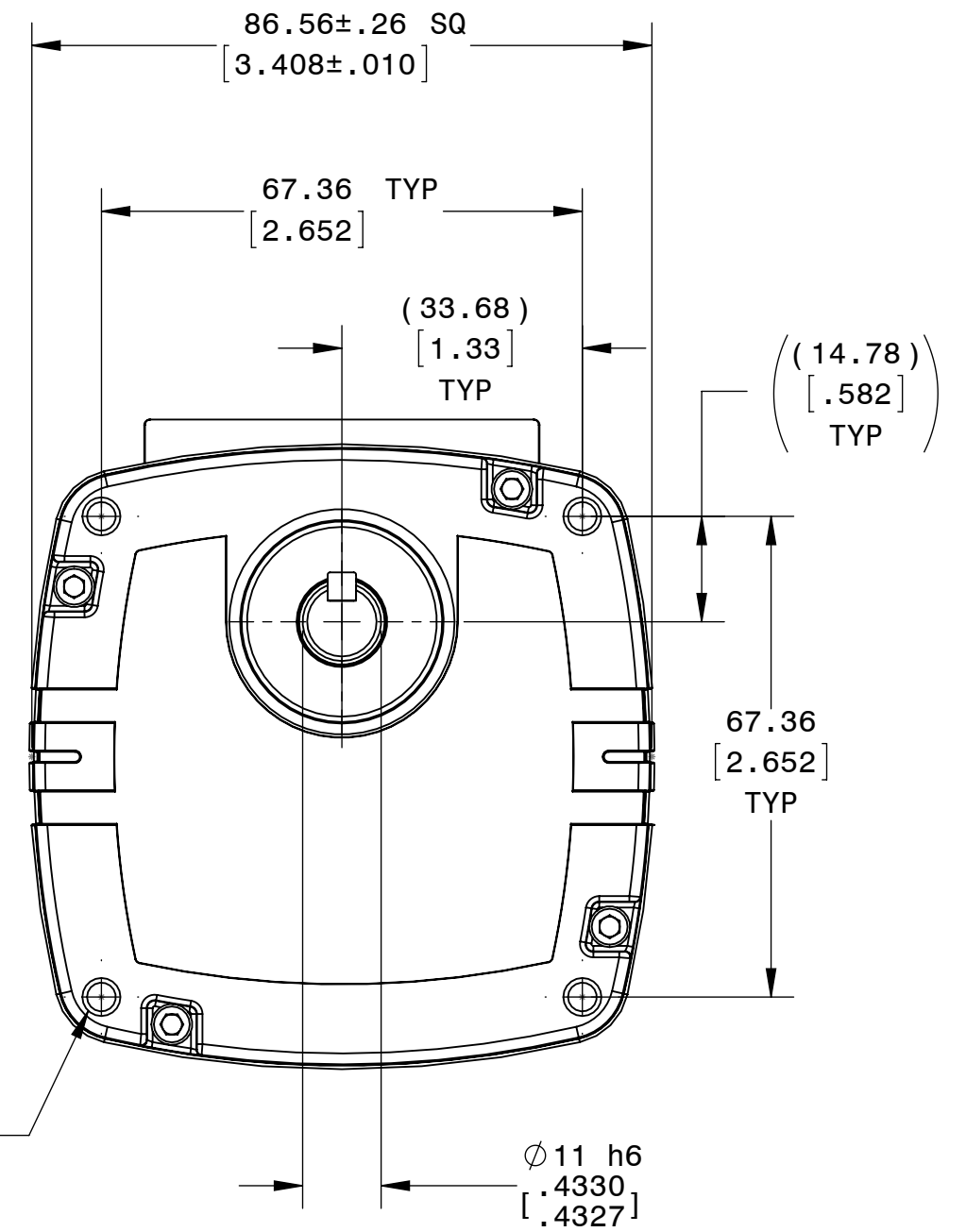
SHEET: 1/1	UNLESS OTHERWISE SPECIFIED:
SCALE: 1:1	UNITS ARE IN INCHES [mm]
<b>C</b>	TOLERANCES: .XX:±.01 .XXX:±.005
	ANGLES: X°:±3° X.X°:±0.5°

14/11  
NUMBER OF  
LEADS VARY

12.7±1.6  
[.50±.06]  
TYP



[4] M5 X 0.8-6H  
.377 [9.6] MIN. ▽



REPRESENTATIVE OF MODEL NUMBER(S):

1571 1572 1573 1574

