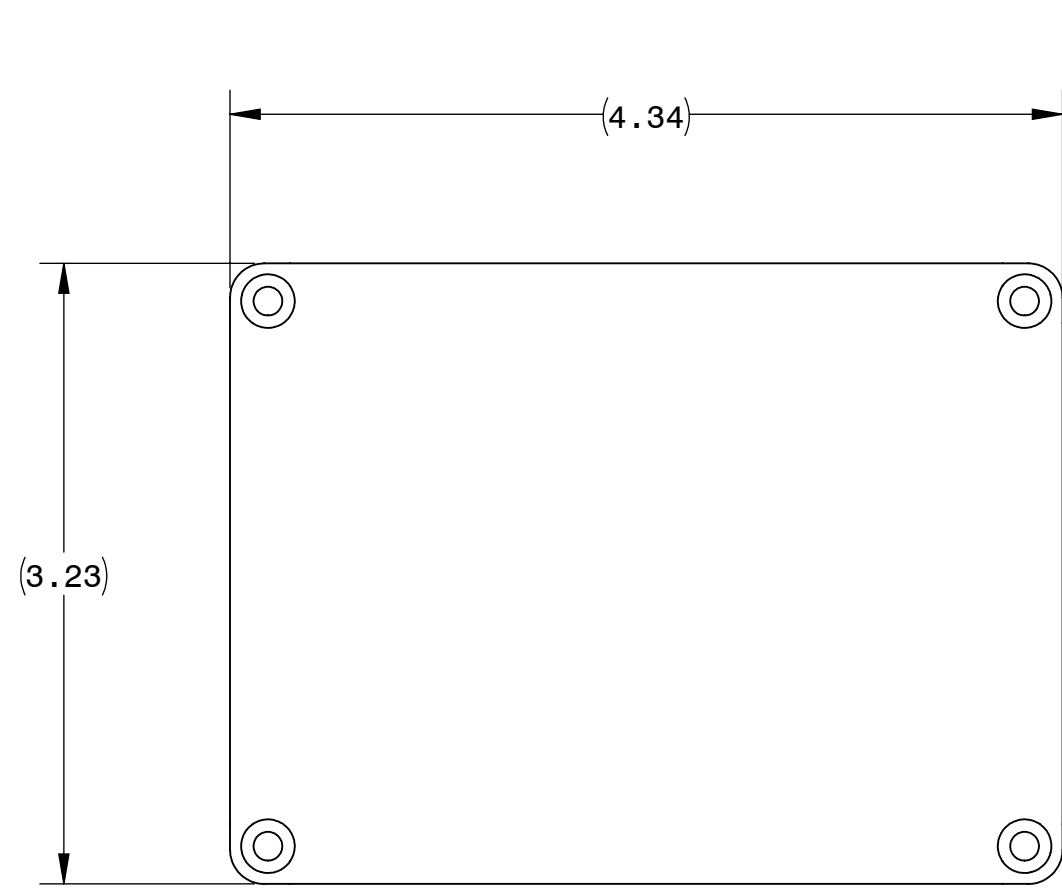
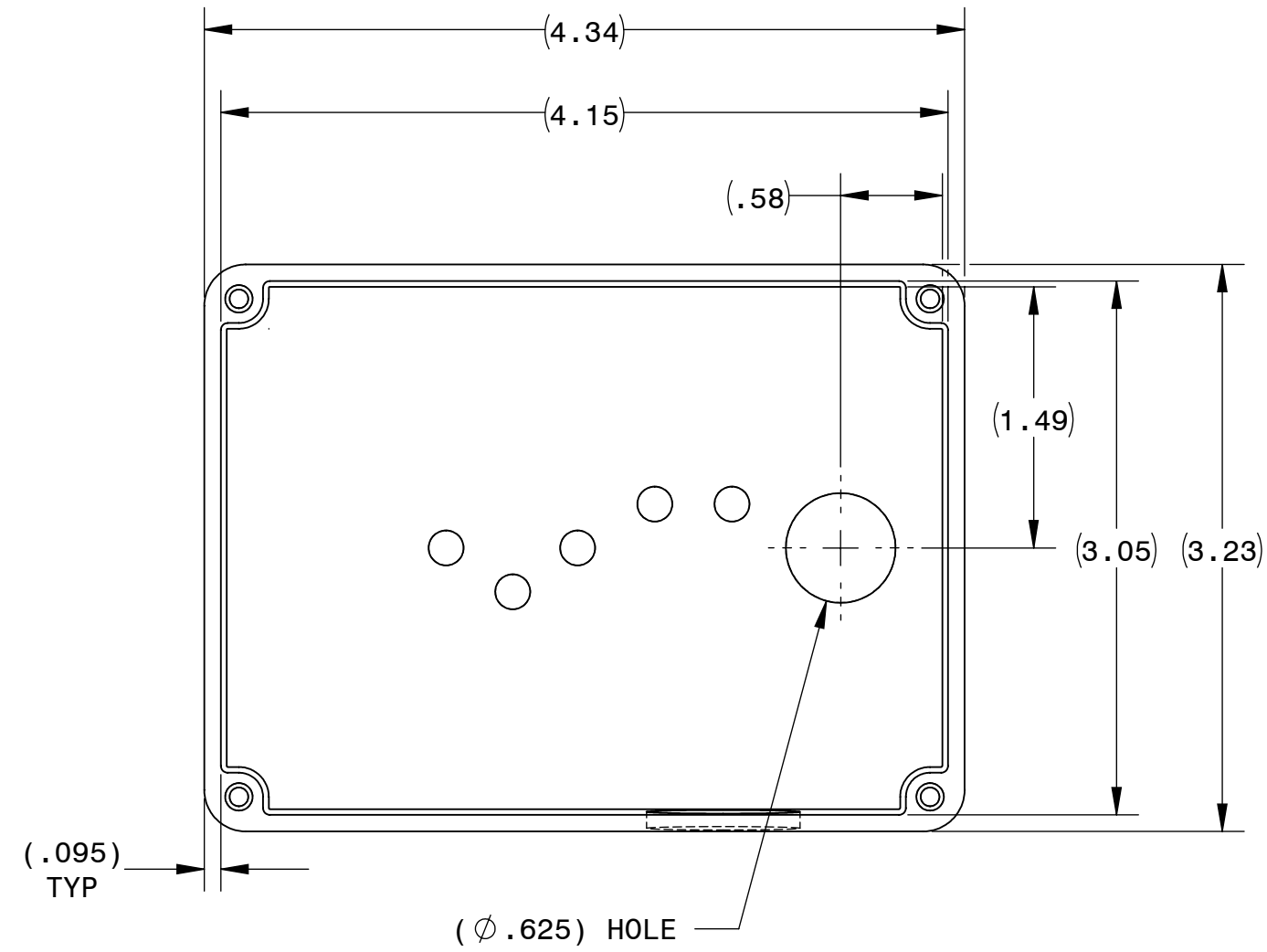
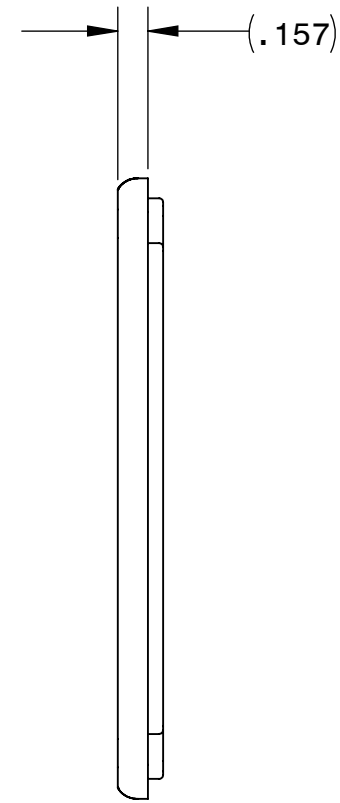


DESCRIPTION: KIT TERMINAL BOX	
SHEET: Sheet 1	UNLESS OTHERWISE SPECIFIED:
SCALE: 1:1	UNITS ARE IN INCHES [mm]
C	TOLERANCES: .XX:±.01 .XXX:±.005
	ANGLES: X°:±3° X.X°:±0.5°

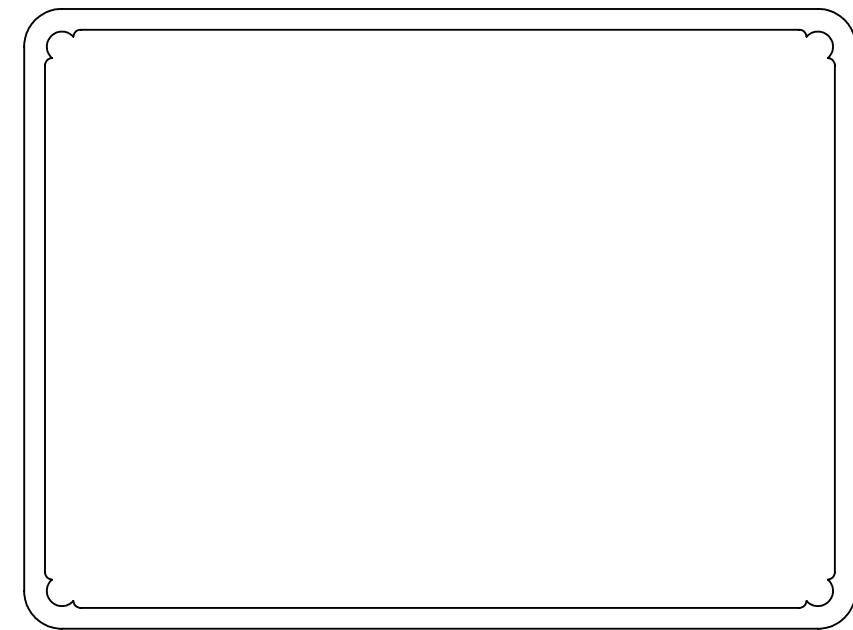
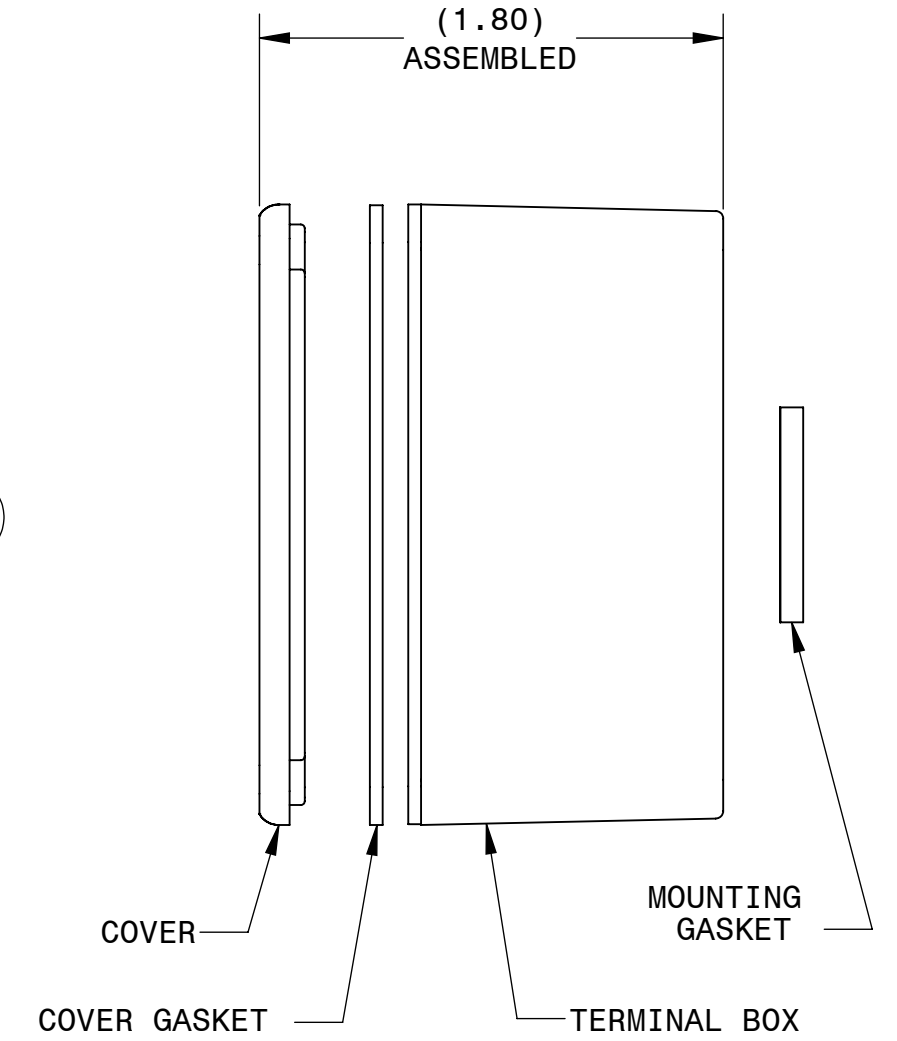
- NOTES:  
 1. MATERIAL: ALUMINUM  
 2. ITEMS SUPPLIED WITH TERMINAL BOX AND COVER:  
 [1] SILICONE RUBBER COVER GASKET  
 [2] NEOPRENE GASKETS FOR MOUNTING TERMINAL BOX  
 [4] #6-32 COVER SCREWS WITH NEOPRENE O-RINGS [TORQUE 75 OZ-IN]  
 [2] #10-32 SCREWS FOR MOUNTING TERMINAL BOX [TORQUE 30 LB-IN]  
 [1] SNAP BUSHING FOR .625 HOLE



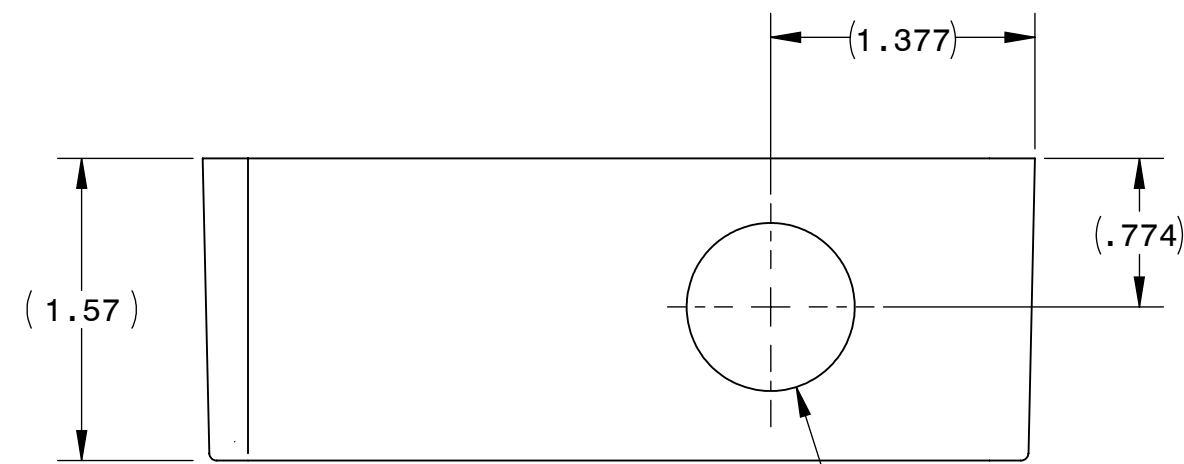
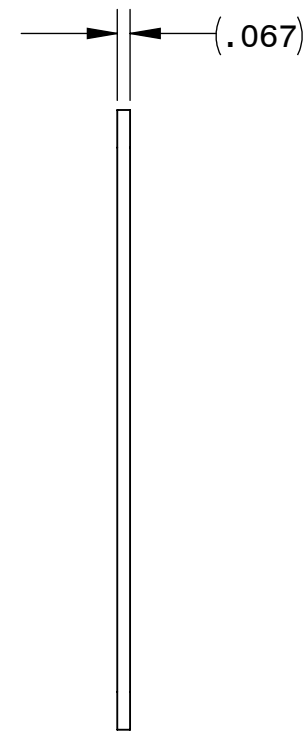
COVER



(Ø .625) HOLE



COVER GASKET



BOX

(Ø .875) HOLE

REPRESENTATIVE OF MODEL NUMBER(S):

0985

