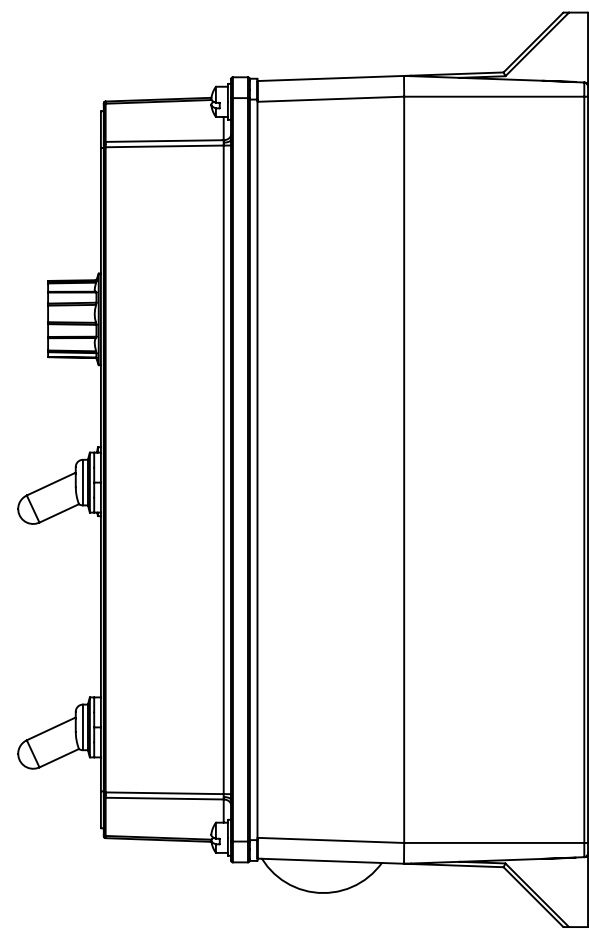
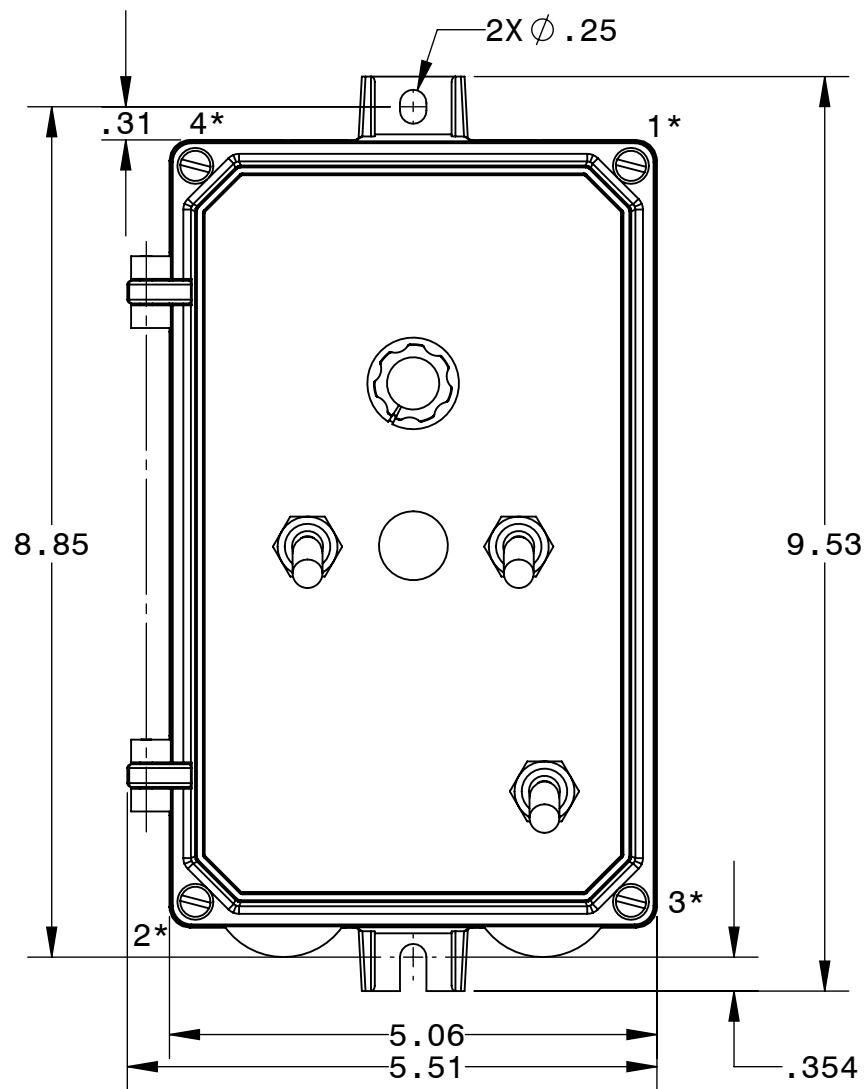
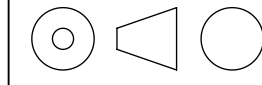
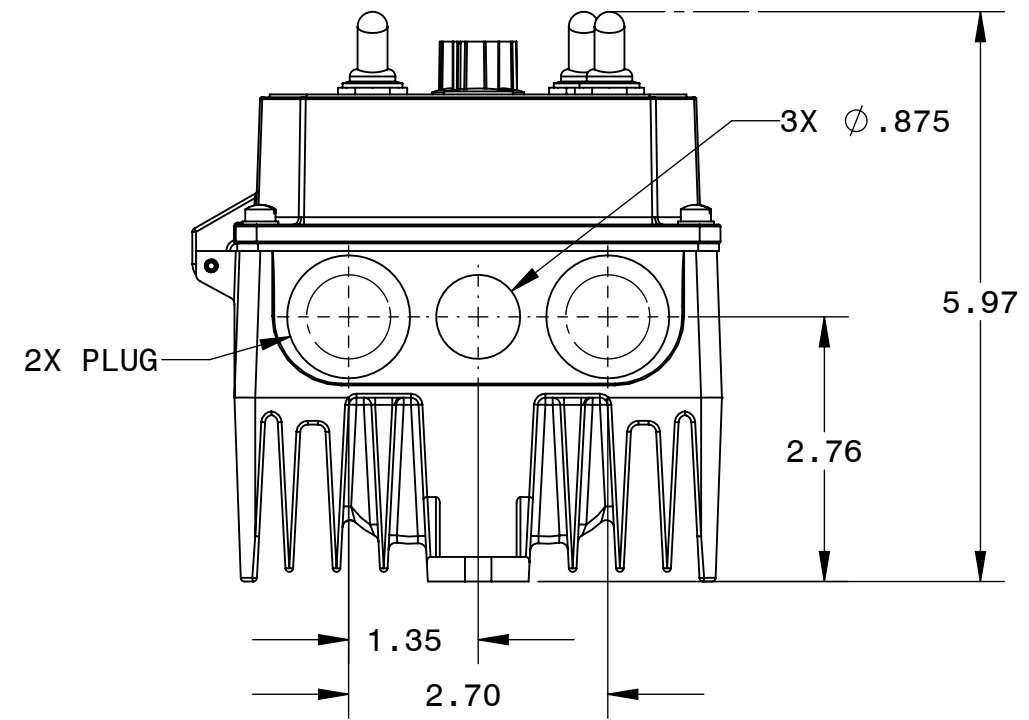


PART NO./REV:	INFM0366	A
DESCRIPTION:	UNIT ASSY AC INVERTER HPP-5374E4	
SHEET:	Sheet1	
SCALE:	1:2	
B	UNLESS OTHERWISE SPECIFIED: UNITS ARE IN INCHES [mm] TOLERANCES: .XX:±.01 .XXX:±.005 ANGLES: X°:±3° X.X°:±0.5°	



*TIGHTEN 4 COVER SCREWS IN ORDER INDICATED TO 12 LB*IN

NOTES:
1. THE TOP COVER REQUIRES 5.4" CLEARANCE TO THE LEFT OF THE HINGE CENTERLINE WHEN IN THE OPEN POSITION



REPRESENTATIVE OF MODEL NUMBER(S):
2999

