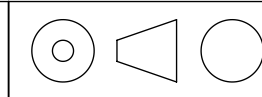


BODINE ELECTRIC COMPANY

PART NO./REV: INFM0380 A



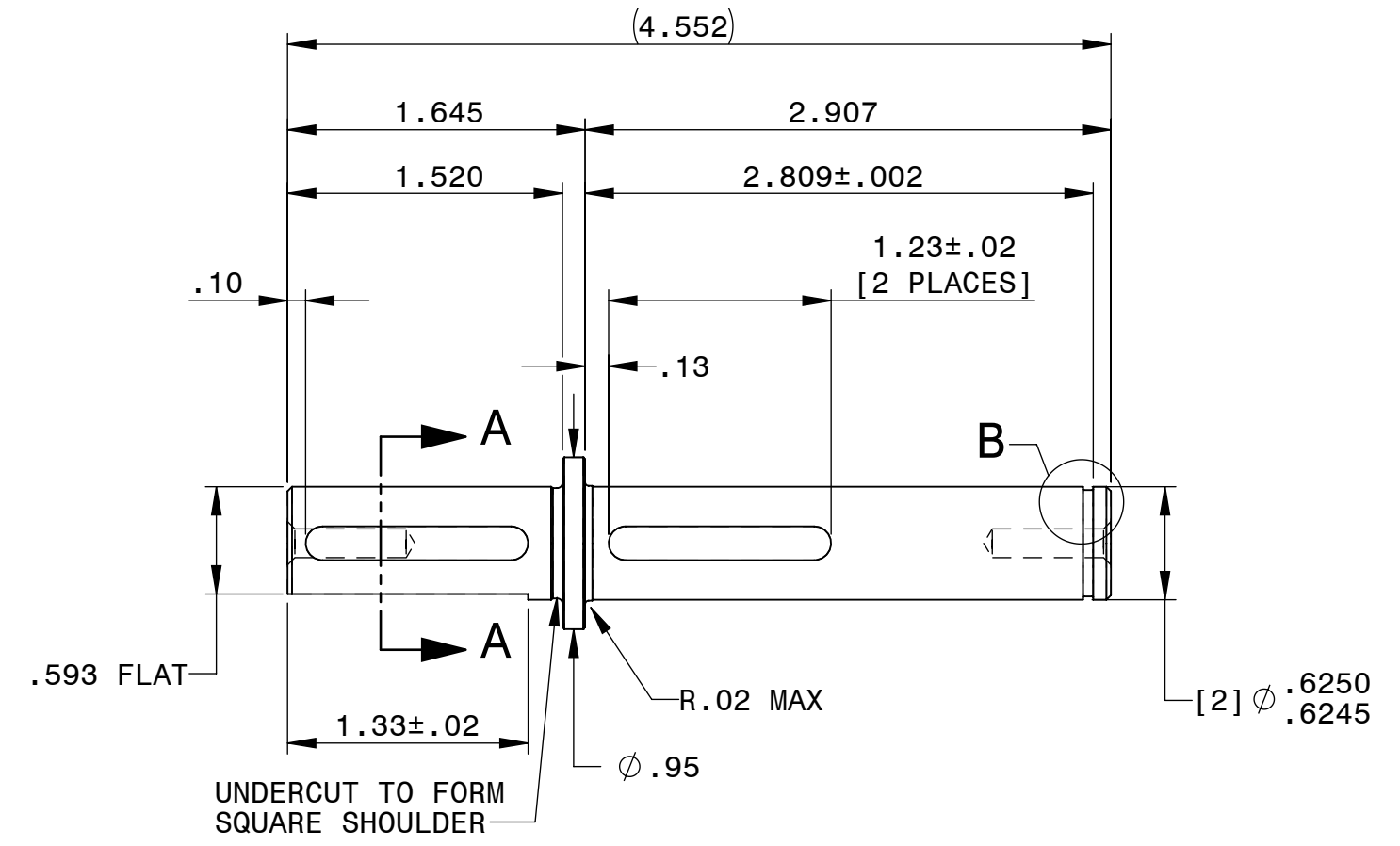
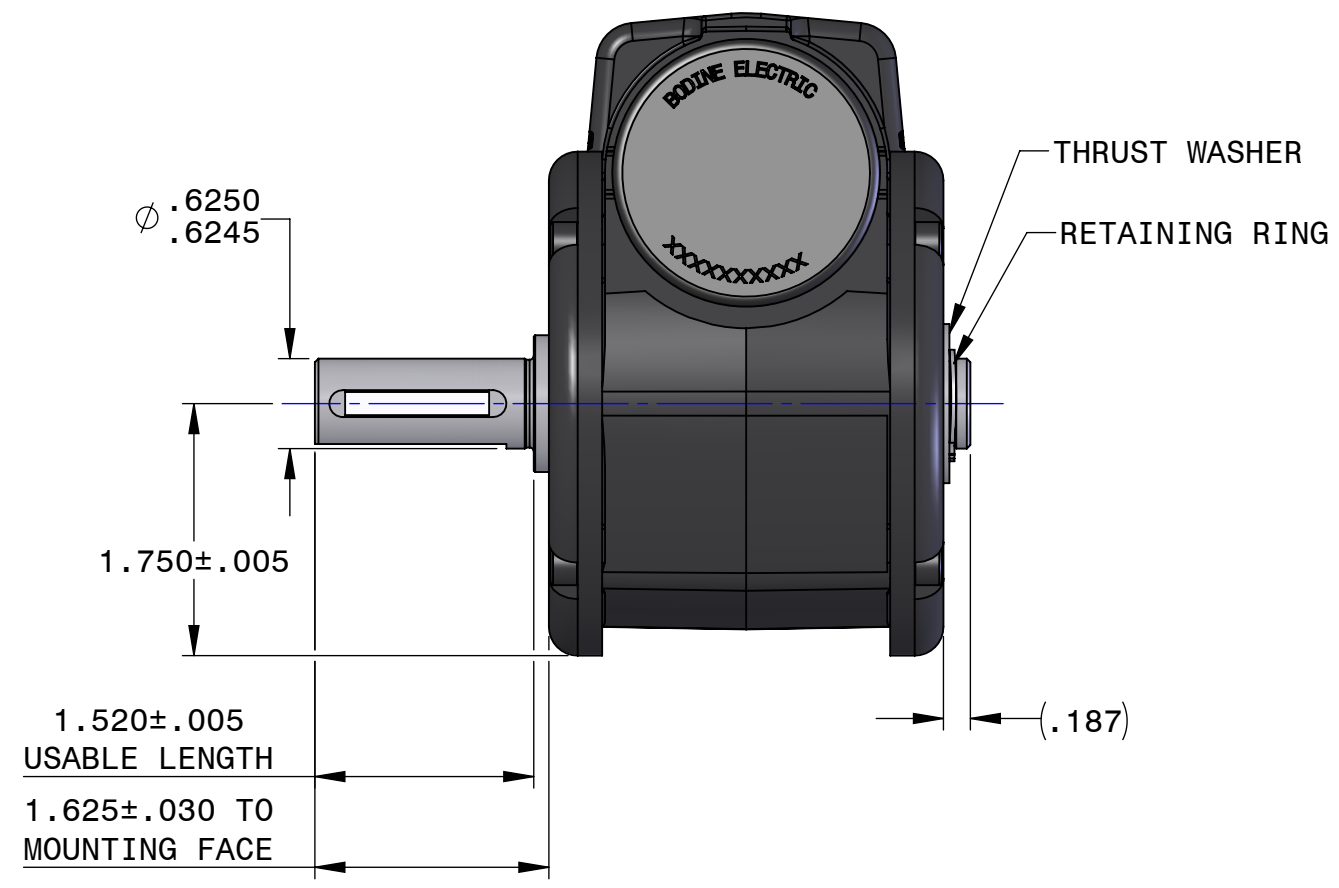
DESCRIPTION:
KIT ACCESSORY SHAFT 5L/H GEARMOTOR
Ø.625 X 1.625 EXTENSION

SHEET: 1/1	UNLESS OTHERWISE SPECIFIED:
SCALE: 1:1	UNITS ARE IN INCHES [mm]
B	TOLERANCES: .XX:±.01 .XXX:±.005 ANGLES: X°:±3° X.X°:±0.5°

- NOTES:
 1. MATERIAL: 316 STAINLESS STEEL
 2. ITEMS SUPPLIED WITH SHAFT
 KEYS: [2] STAINLESS STEEL .1875 SQ X 1.00 LONG
 THRUST WASHER: [1] Ø1.105 OD X Ø.632 ID X .0615 THICK
 RETAINING RINGS: [2] ROTOR CLIP P/N BSH-62 (1 SPARE)

SHAFT DIMENSIONS

SHAFT KIT INSTALLED



REPRESENTATIVE OF MODEL NUMBER(S):
0912

#10-32 UNF-2B
X .50
BOTH ENDS

