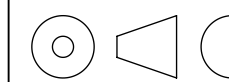


BODINE ELECTRIC COMPANY

PART NO./REV: INFM0382 A

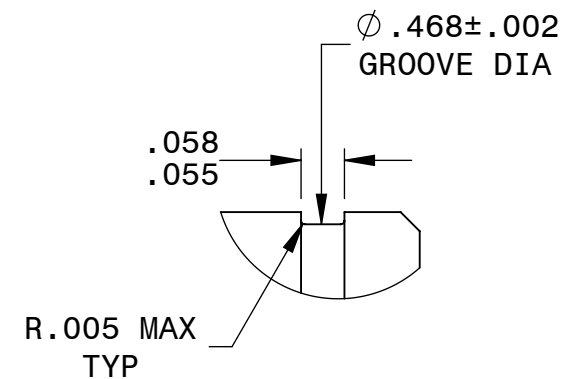
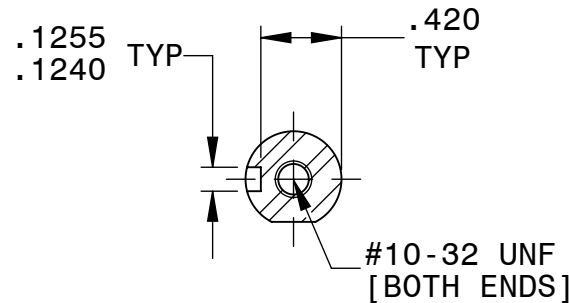
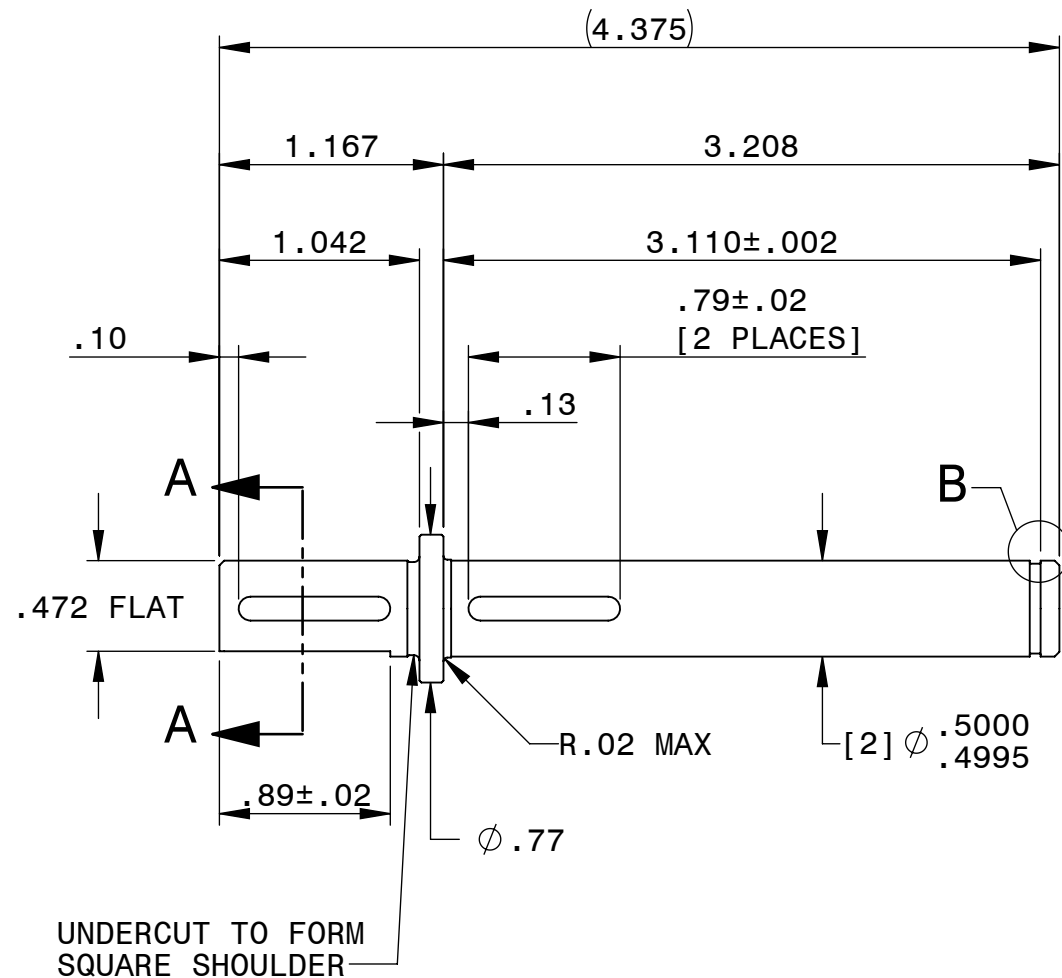
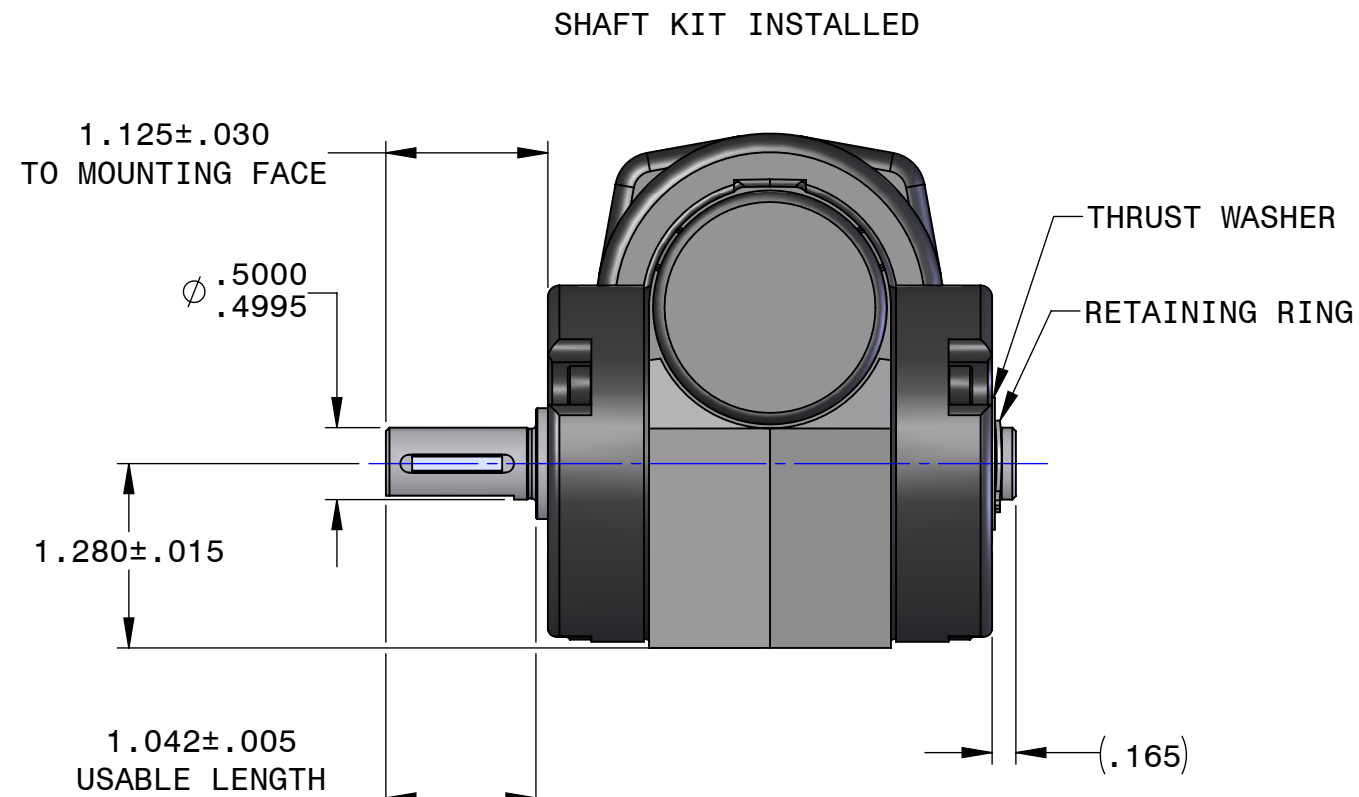


DESCRIPTION:
KIT ACCESSORY SHAFT 3F/H GEARMOTOR
Ø.500 X 1.125 EXTENSION

SHEET: 1/1	UNLESS OTHERWISE SPECIFIED:
SCALE: 1:1	UNITS ARE IN INCHES [mm]
B	TOLERANCES: .XX:±.01 .XXX:±.005
	ANGLES: X°:±3° X.X°:±0.5°

- NOTES:
 1. MATERIAL: 316 STAINLESS STEEL
 2. ITEMS SUPPLIED WITH SHAFT
 KEYS: [2] STAINLESS STEEL .125 SQ X .625 LONG
 THRUST WASHER: [1] Ø.917 OD X Ø.507 ID X .0615 THICK
 RETAINING RINGS: [2] ROTOR CLIP P/N BSH-50 (1 SPARE)

SHAFT DIMENSIONS



REPRESENTATIVE OF MODEL NUMBER(S):

0910

