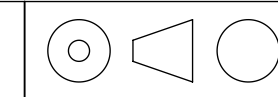
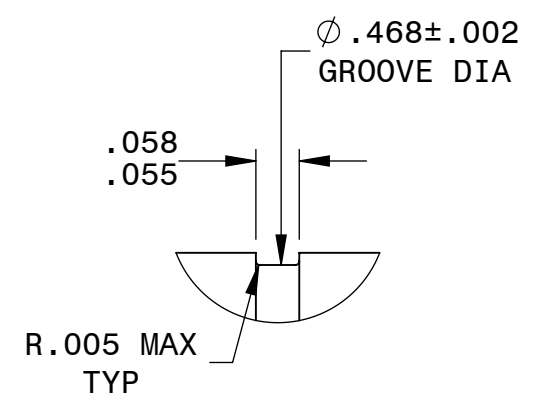
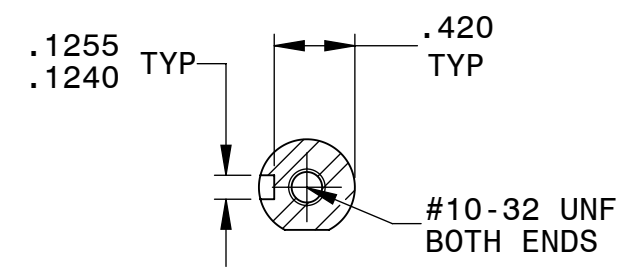
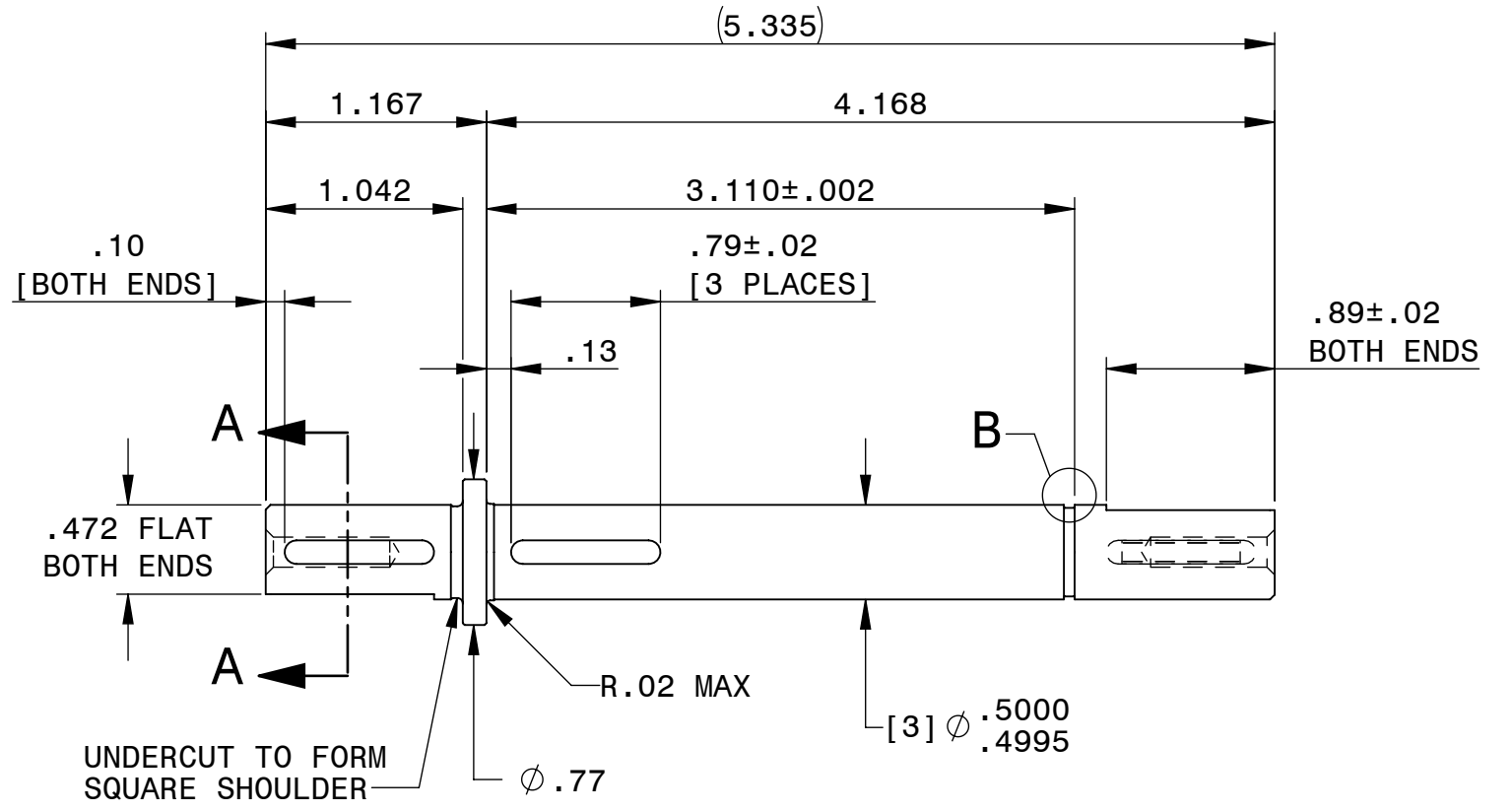
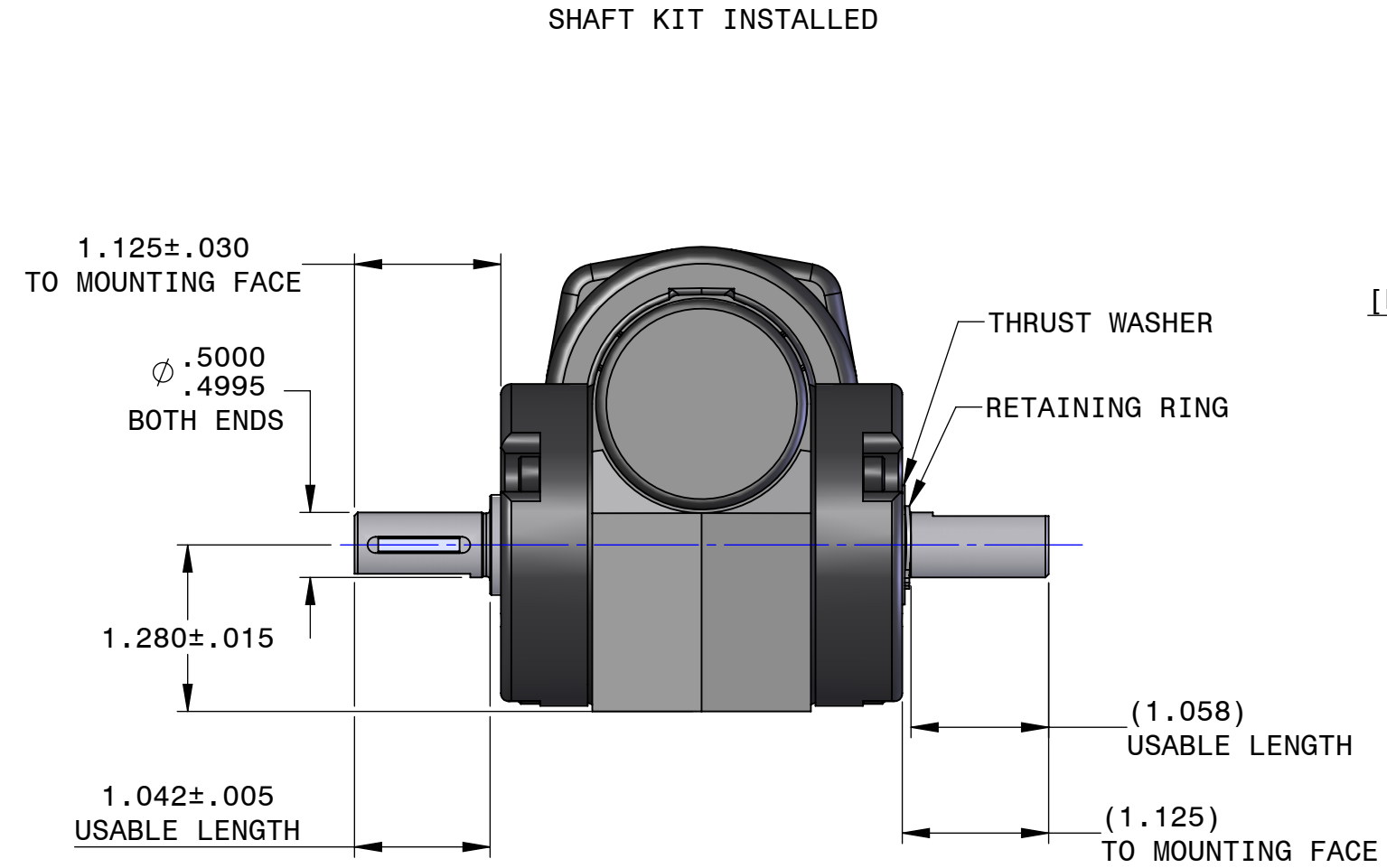


PART NO./REV:	INFM0383	A
DESCRIPTION:	KIT ACCESSORY SHAFT 3F/H GEARMOTOR Ø.500 X 1.125 DOUBLE EXTENSION	
SHEET:	1/1	
SCALE:	1:1	
	UNLESS OTHERWISE SPECIFIED: UNITS ARE IN INCHES [mm] TOLERANCES: .XX:±.01 .XXX:±.005 ANGLES: X°:±3° X.X°:±0.5°	

- NOTES:
 1. MATERIAL: 316 STAINLESS STEEL
 2. ITEMS SUPPLIED WITH SHAFT
 KEYS: [3] STAINLESS STEEL .125 SQ X .625 LONG
 THRUST WASHER: [1] Ø.917 OD X Ø.507 ID X .0615 THICK
 RETAINING RINGS: [2] ROTOR CLIP P/N BSH-50 (1 SPARE)



SHAFT DIMENSIONS



REPRESENTATIVE OF MODEL NUMBER(S):
 0920

