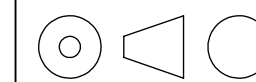


BODINE ELECTRIC COMPANY

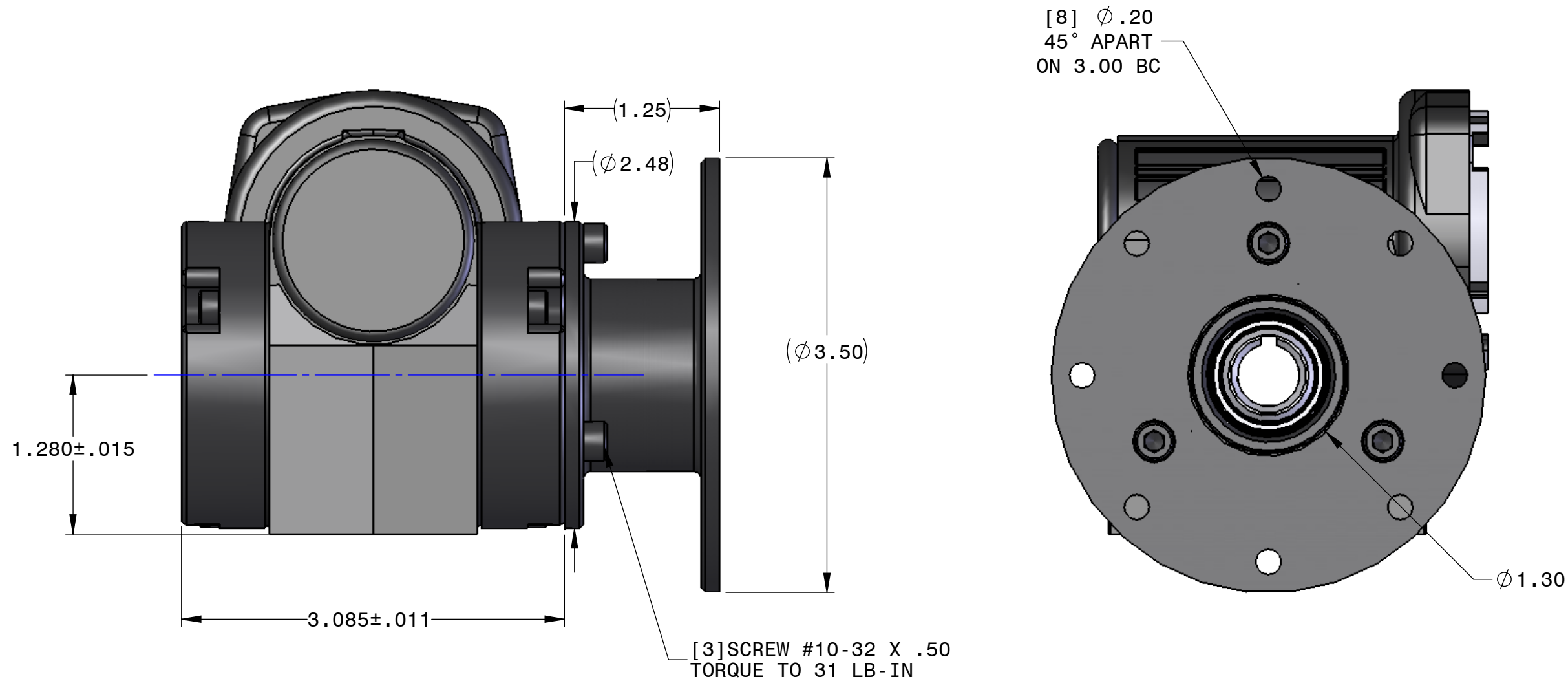
PART NO./REV: **INFM0386** **A**

DESCRIPTION:
KIT ACCESSORY FLANGE 3F/H GEARMOTOR



| | |
|---------------|---------------------------------|
| SHEET: 1/1 | UNLESS OTHERWISE SPECIFIED: |
| SCALE: 1:1 | UNITS ARE IN INCHES [mm] |
| B | TOLERANCES: .XX:±.01 .XXX:±.005 |
| | ANGLES: X°:±3° X.X°:±0.5° |

- NOTES:**
1. FLANGE MATERIAL: ALUMINUM
 2. ITEMS SUPPLIED WITH FLANGE
SCREWS: [3] STEEL #10-32 X .50 LONG
 3. FLANGE CAN BE INSTALLED ON EITHER END OF GEARBOX



REPRESENTATIVE OF MODEL NUMBER(S) :

0955

