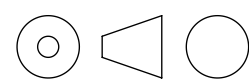


- NOTES:  
 1. BASE MATERIAL: COLD ROLL STEEL  
 2. ITEMS SUPPLIED WITH BASE  
 SCREWS: [6] STEEL #1/4-20 X .50 LONG

# BODINE ELECTRIC COMPANY

PART NO./REV: INFM0388 A

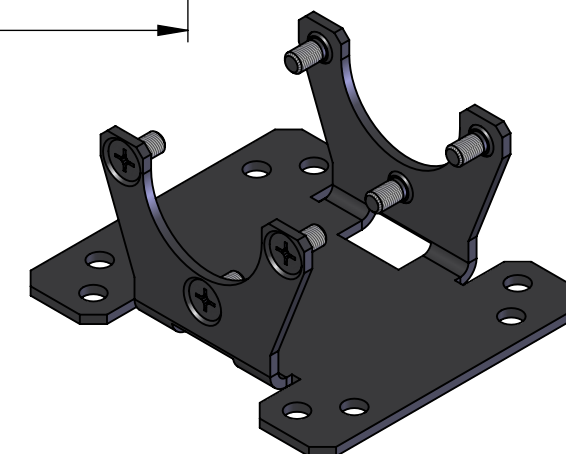
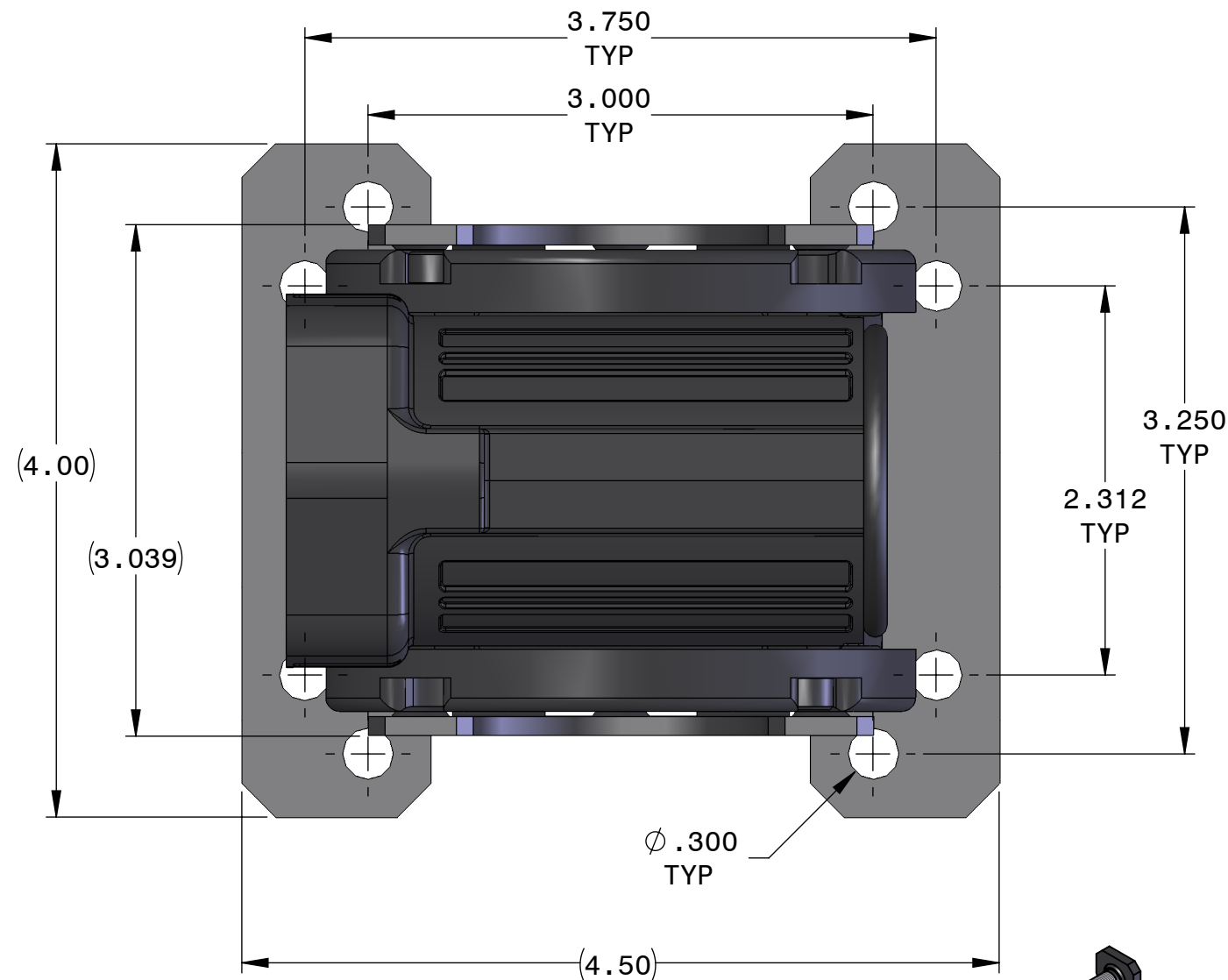
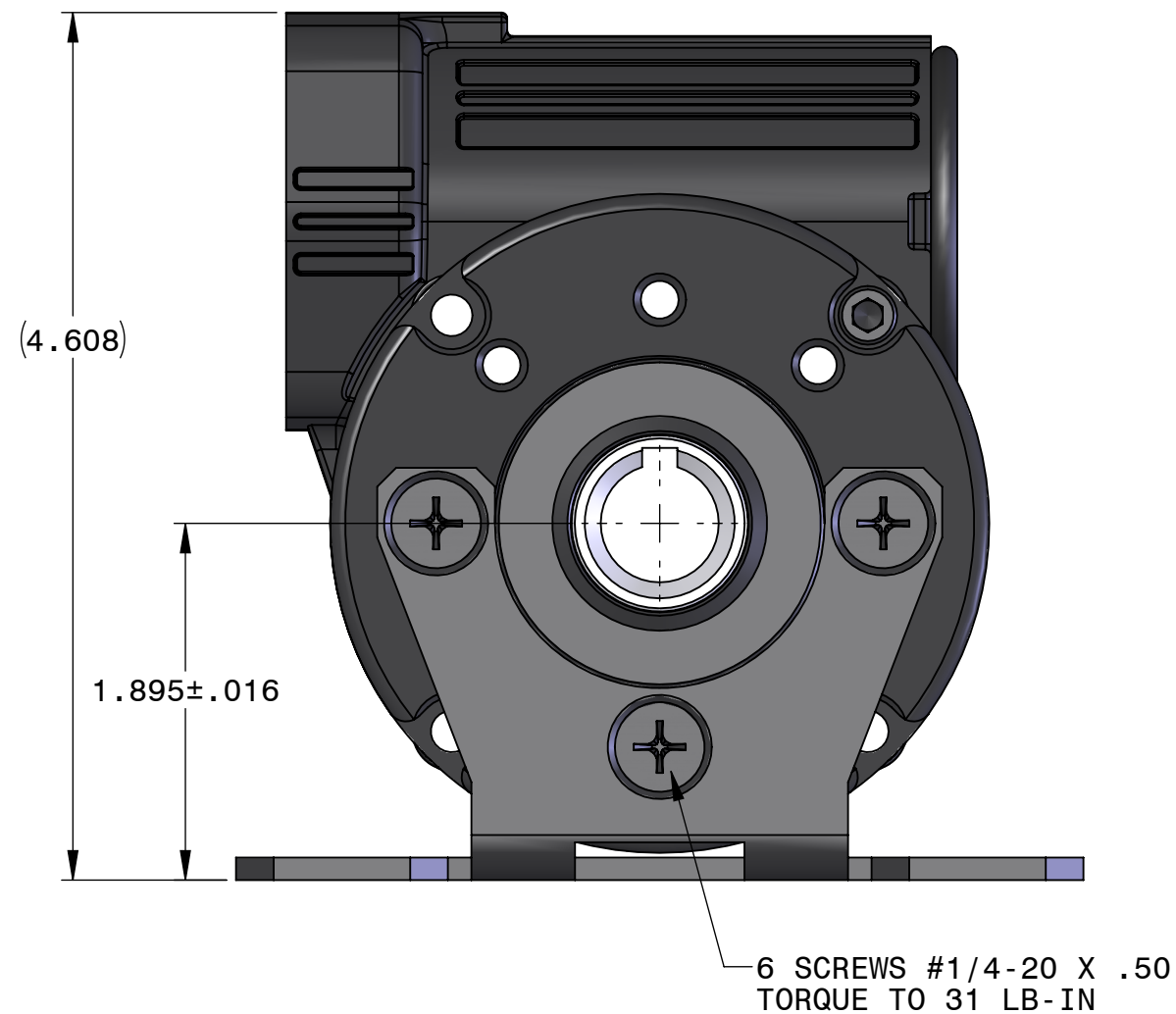


MODEL FILE: INFM0388

ECN: 20170361 DESIGNER: MXW

DESCRIPTION: KIT ACCESSORY BASE 5L/H GEARMOTOR

SHEET: 1/1 UNLESS OTHERWISE SPECIFIED:  
 SCALE: 1:1 UNITS ARE IN INCHES [mm]  
 TOLERANCES: .XX:±.01 .XXX:±.005  
 B ANGLES: X°:±3° X.X°:±0.5°



REPRESENTATIVE OF MODEL NUMBERS(S):

0958