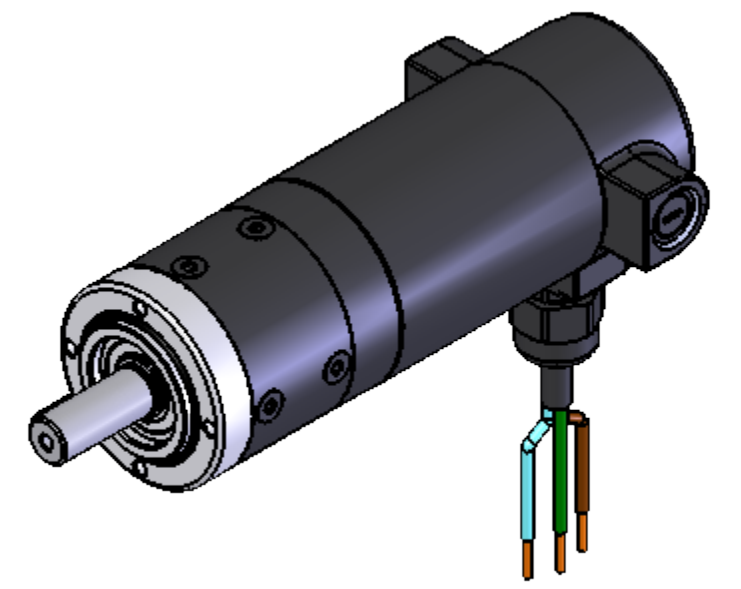
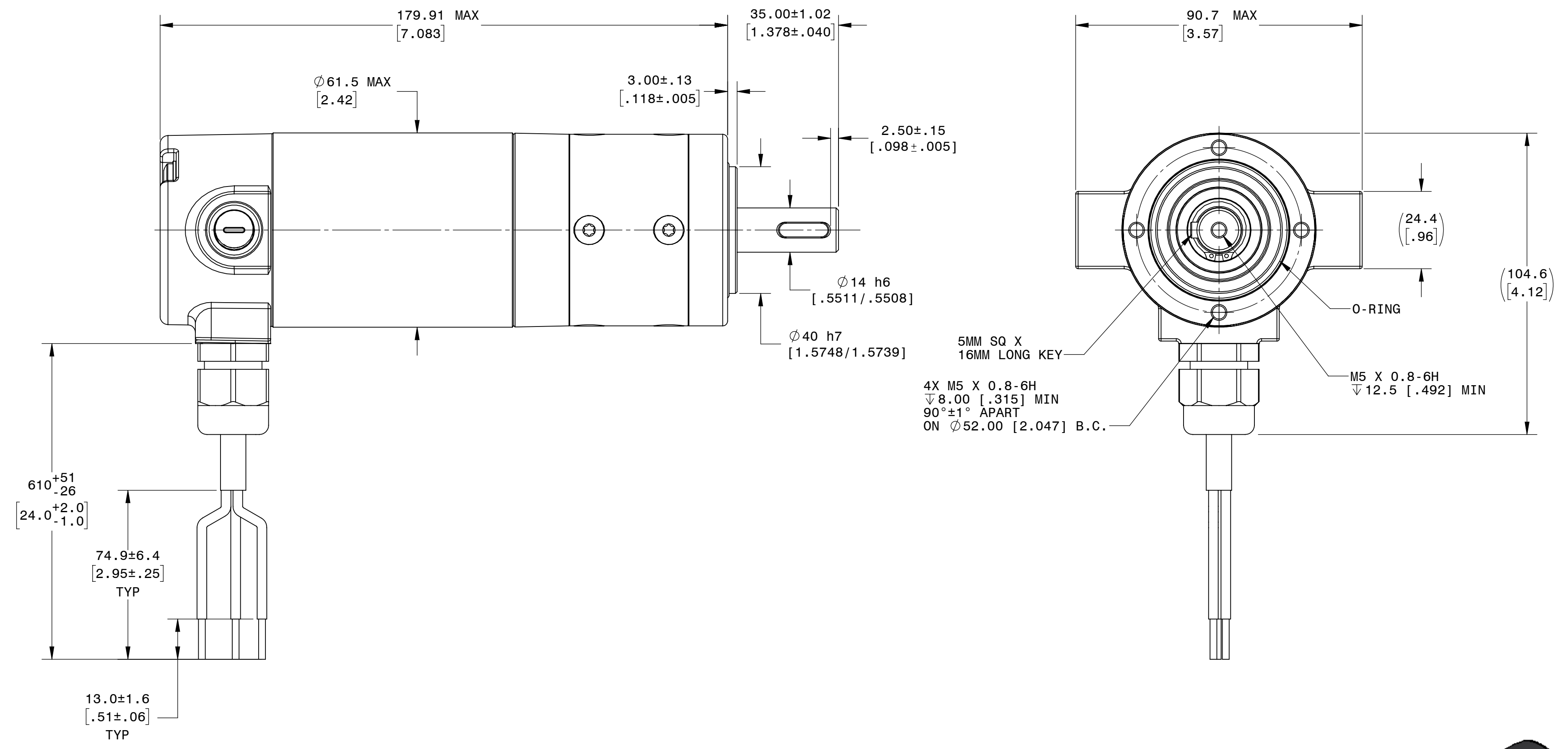


DESCRIPTION:
GEARMOTOR 24A4BEPM-60P1 METRIC

SHEET: 1/1
SCALE: 1:1
UNLESS OTHERWISE SPECIFIED:
UNITS ARE IN mm [INCHES]
ANGLES: X°:±3° X.X°:±0.5°
C



REPRESENTATIVE OF MODEL NUMBER(S):

7201 7202 7401 7402