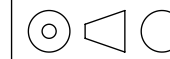


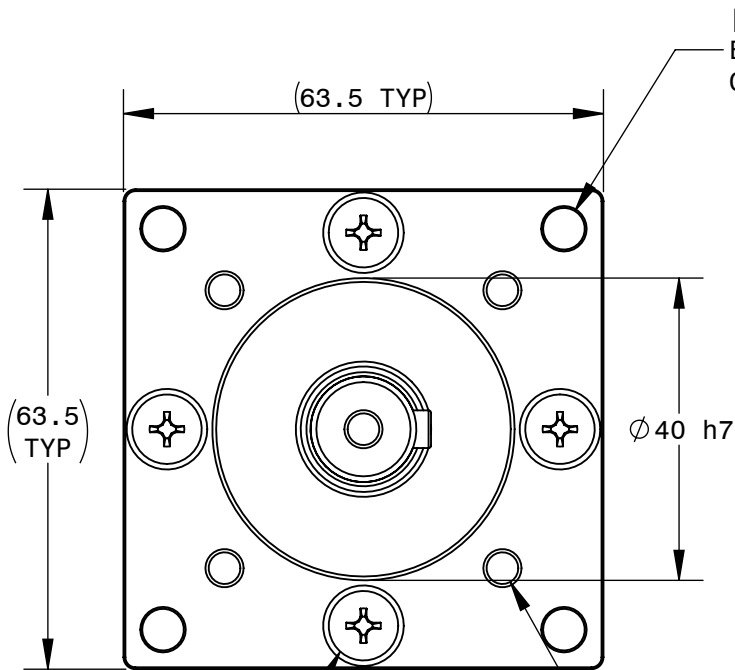
NOTES:

- 1. FLANGE MATERIAL: ALUMINUM
- 2. ITEMS SUPPLIED WITH FLANGE
 - SCREWS: [4] STEEL M5 X 0.8 X 16 LONG
 - O-RING: #159 BUNA-N 1.553 X .070
 - SLEEVE: NYLON 14mm X 12.70 LONG
 - LUBRICANT: 1 PACKET OF SYNTHETIC GREASE



DESCRIPTION:
KIT ACCESSORY FLANGE 60P IP66
Ø14mm SHAFT

SHEET: Sheet1	UNLESS OTHERWISE SPECIFIED:
SCALE: 1:1	UNITS ARE IN mm [INCHES]
A	ANGLES: X°:±3° X.X°:±0.5°



[4] Ø5.51 HOLES THRU
EQUALLY SPACED APART
ON 75 BC

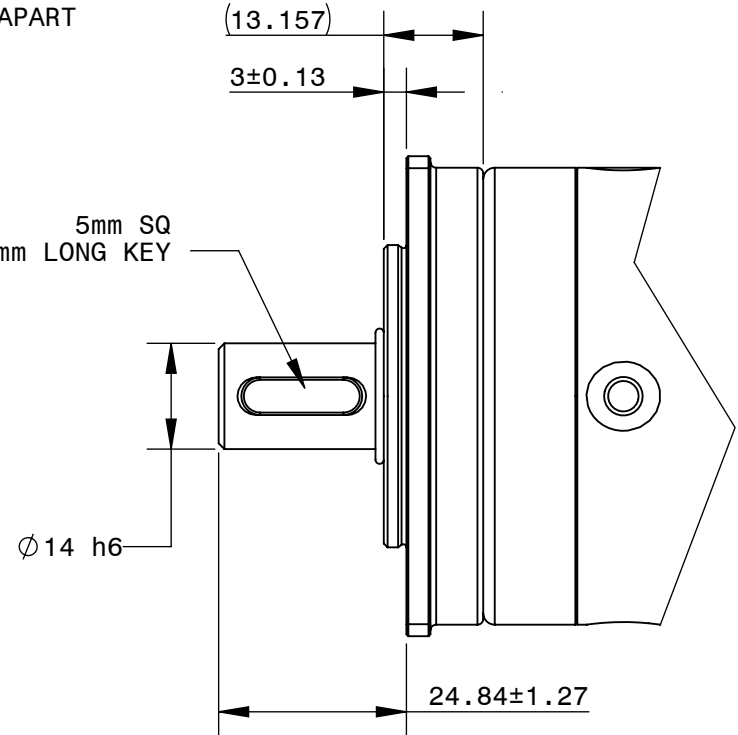
(63.5)
TYP

Ø40 h7

[4] SCREWS
M5 X 0.8 X 16
TORQUE TO 3.5 N-m

[4] M5 X 0.8 -6H
↓8 MIN EQUALLY
SPACED APART ON
Ø52 BC

5mm SQ
X 16mm LONG KEY



(13.157)

3±0.13

Ø14 h6

24.84±1.27

REPRESENTATIVE OF MODEL NUMBER(S):

0963

