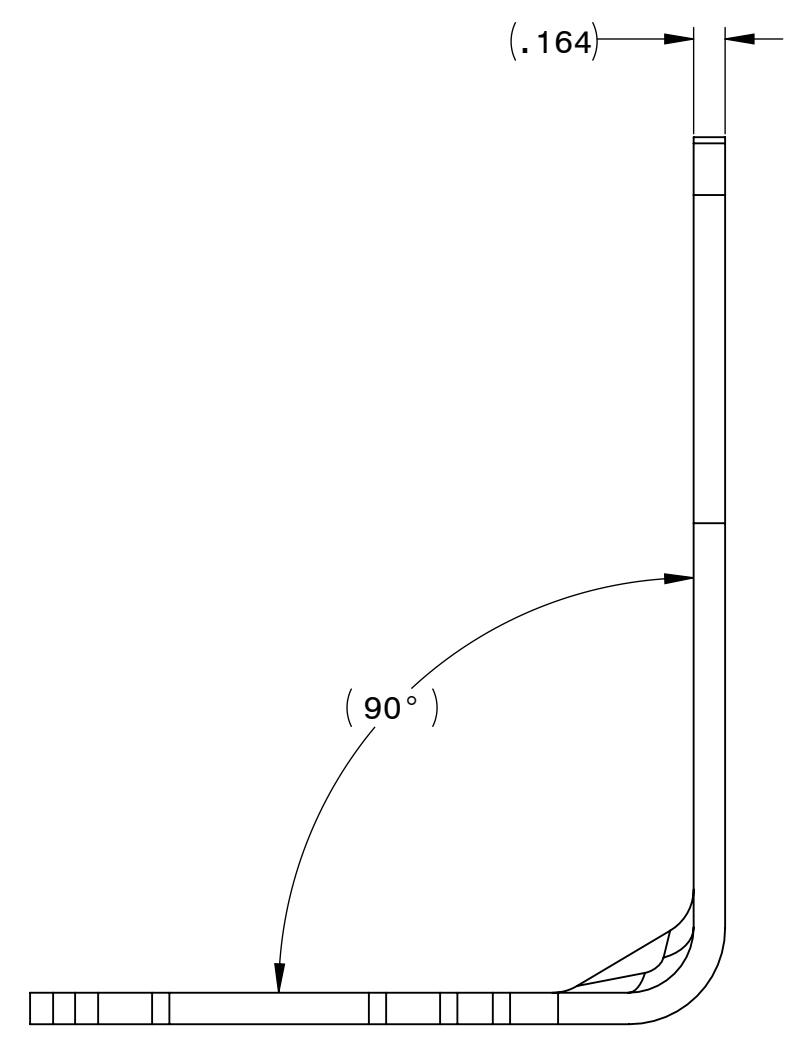
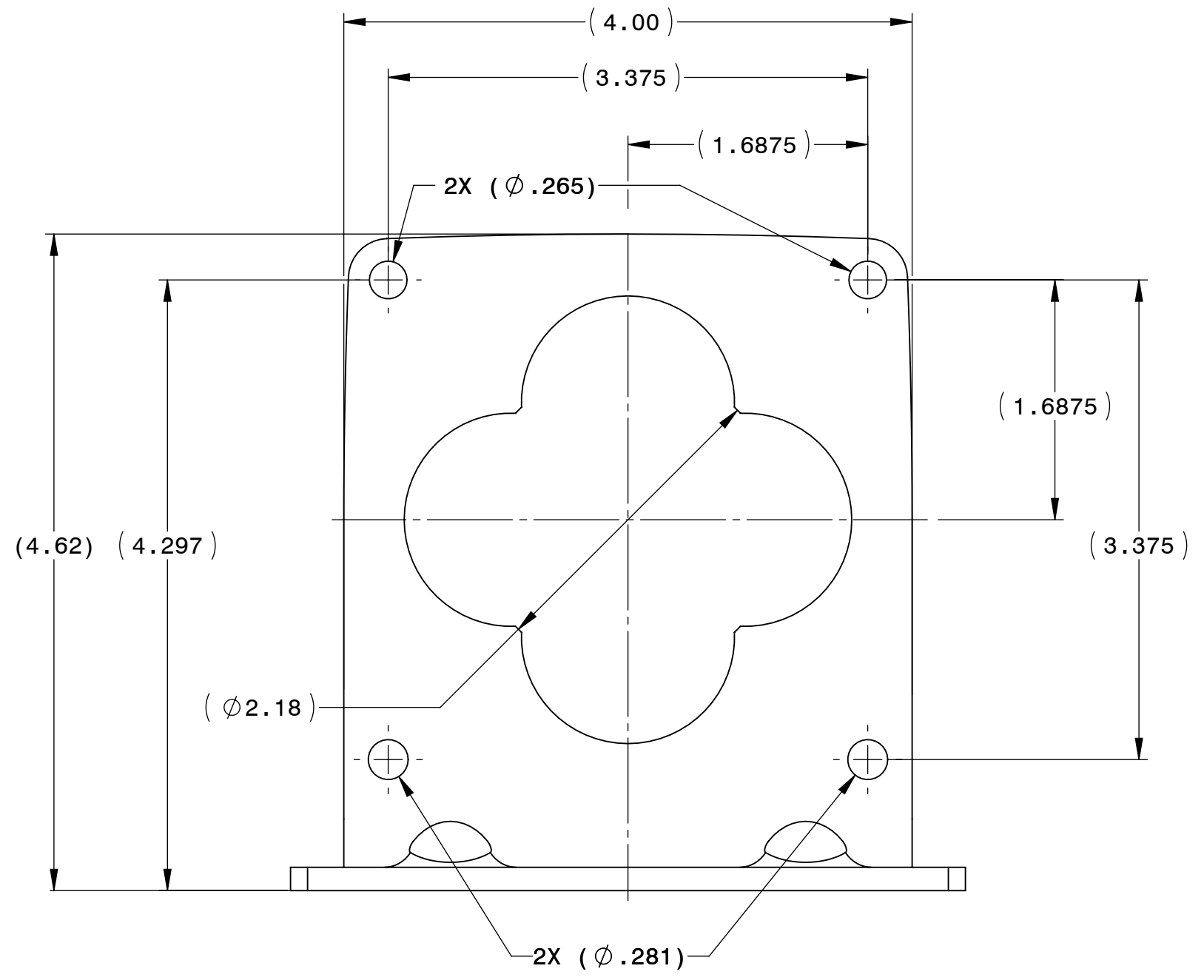
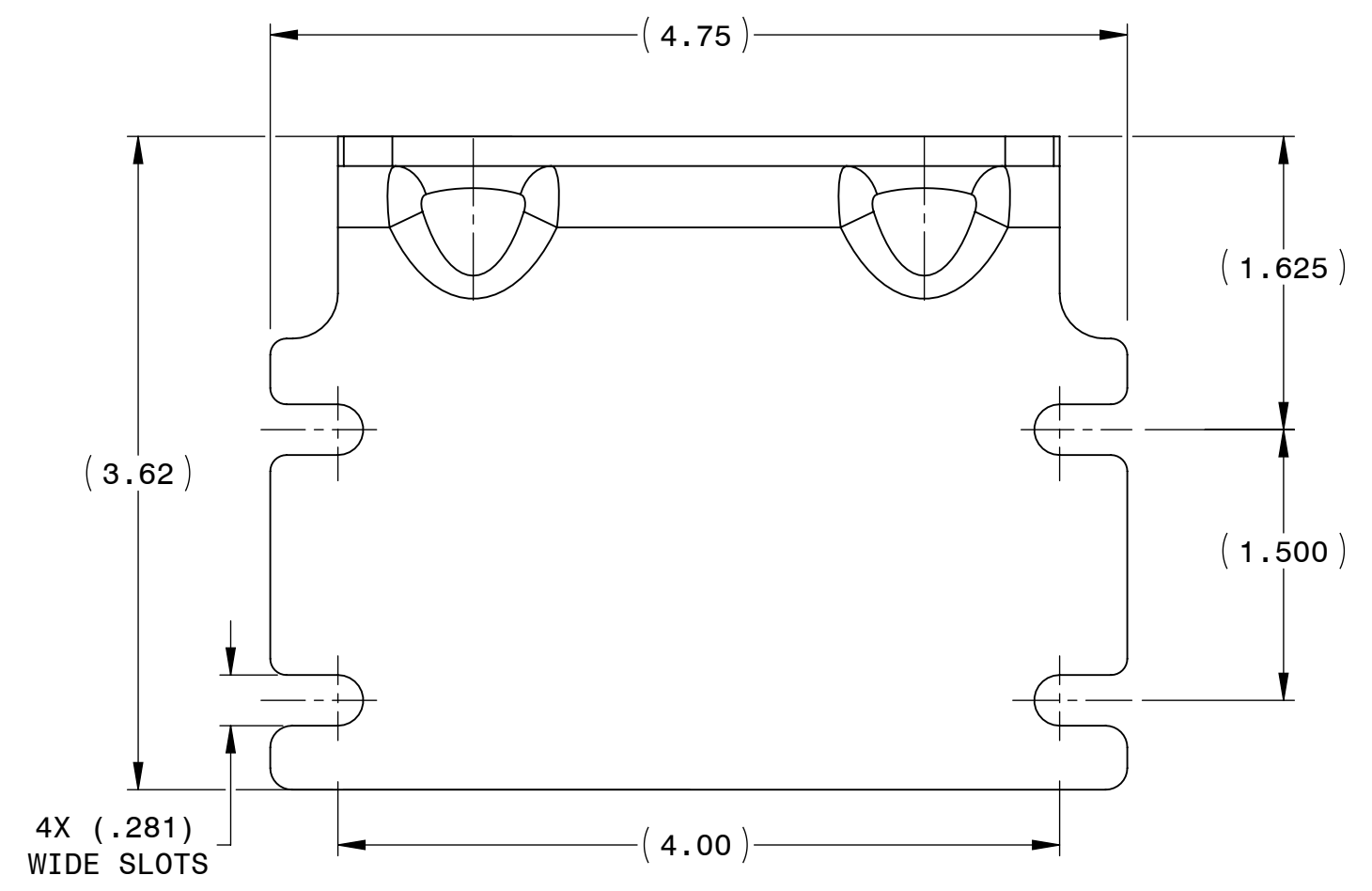


DESCRIPTION:
KIT BRACKET WX GEARHOUSING
METRIC

SHEET: 1/1	UNLESS OTHERWISE SPECIFIED: UNITS ARE IN INCHES [mm]
SCALE: 1:1	
C	

- NOTES:
1. MATERIAL: .164 THICK STEEL
2. 4X M5X0.8 SCREWS SUPPLIED WITH BRACKET
3. 4X LOCKWASHER FOR M5 SCREWS
4. TORQUE SCREWS TO 50-60 LB-IN



REPRESENTATIVE OF MODEL NUMBER(S):
1970

