

Non-reversing motor starter, Size 00, Three phase full voltage, Amb compensate bimetal OLrelay Contactor amp rating 9Amp 240V 50HZ / 277V 60HZ coil, Non-combination type, Enclosure type 1, Indoor general purpose use



Figure similar

| General technical data                                       |                          |
|--|--------------------------|
| Weight [lb]  | 8 lb                     |
| Height x Width x Depth [in]                                  | 11 × 7 × 5 in            |
| Protection against electrical shock                          | NA for enclosed products |
| Installation altitude [ft] at height above sea level maximum | 6560 ft                  |
| Ambient temperature [°F] during storage                      | -22 ... +149 °F          |
| Ambient temperature [°F] during operation                    | -4 ... +104 °F           |
| Ambient temperature during storage                           | -30 ... +65 °C           |
| Ambient temperature during operation                         | -20 ... +40 °C           |
| Country of origin  | USA                      |

| Horsepower ratings   |        |
|--|--------|
| Yielded mechanical performance [hp] for three-phase AC motor               |        |
| <ul style="list-style-type: none"> <li>at 200/208 V rated value</li> </ul> | 1.5 hp |
| <ul style="list-style-type: none"> <li>at 220/230 V rated value</li> </ul> | 1.5 hp |
| <ul style="list-style-type: none"> <li>at 460/480 V rated value</li> </ul> | 2 hp   |

- at 575/600 V rated value

2 hp

### Contactors

|   |          |
|---|----------|
| Number of NO contacts for main contacts                                 | 3        |
| Operating voltage for main current circuit at AC at 60 Hz maximum       | 600 V    |
| Operating current at AC at 600 V rated value                            | 9 A      |
| Mechanical service life (switching cycles) of the main contacts typical | 10000000 |

### Auxiliary contact

|   |                                     |
|---|-------------------------------------|
| Number of NC contacts at contactor for auxiliary contacts         | 0                                   |
| Number of NO contacts at contactor for auxiliary contacts         | 1                                   |
| Number of total auxiliary contacts maximum                        | 8                                   |
| Contact rating of auxiliary contacts of contactor according to UL | 10A@600VAC (A600), 5A@600VDC (P600) |

### Coil

|  |               |
|--|---------------|
| Type of voltage of the control supply voltage                                  | AC            |
| Control supply voltage   |               |
| <ul style="list-style-type: none"> <li>• at DC rated value</li> </ul>          | 0 ... 0 V     |
| <ul style="list-style-type: none"> <li>• at AC at 60 Hz rated value</li> </ul> | 277 ... 277 V |
| <ul style="list-style-type: none"> <li>• at AC at 50 Hz rated value</li> </ul> | 240 ... 240 V |
| Holding power at AC minimum  | 8.6 W         |
| Apparent pick-up power of magnet coil at AC                                    | 218 V·A       |
| Apparent holding power of magnet coil at AC                                    | 25 V·A        |
| Operating range factor control supply voltage rated value of magnet coil       | 0.85 ... 1.1  |
| Percental drop-out voltage of magnet coil related to the input voltage         | 50 %          |
| Switch-on delay time   | 19 ... 29 ms  |
| Off-delay time   | 10 ... 24 ms  |

### Overload relay

|   |                      |
|---|----------------------|
| Product function  |                      |
| <ul style="list-style-type: none"> <li>• Overload protection</li> </ul> | Yes                  |
| <ul style="list-style-type: none"> <li>• Test function</li> </ul>       | Yes                  |
| <ul style="list-style-type: none"> <li>• External reset</li> </ul>      | Yes                  |
| Reset function  | Manual and automatic |
| Adjustment range of thermal overload trip unit                          | 0.85 ... 1.15        |
| Number of NC contacts of auxiliary contacts of overload relay           | 1                    |
| Number of NO contacts of auxiliary contacts of overload relay           | 0                    |

|  |                                     |
|--|-------------------------------------|
| Operating current of auxiliary contacts of overload relay                                    |                                     |
| <ul style="list-style-type: none"> <li>• at AC at 600 V</li> <li>• at DC at 250 V</li> </ul> | <p>10 A</p> <p>5 A</p>              |
| Contact rating of auxiliary contacts of overload relay according to UL                       | 10A@600VAC (A600), 5A@250VDC (P300) |

| Enclosure   |                            |
|---|----------------------------|
| Degree of protection NEMA rating of the enclosure | NEMA Type 1                |
| Design of the housing                             | Indoor general purpose use |

| Mounting/wiring   |   |
|---|---|
| Mounting position   | Vertical  |
| (mounting type)   | Surface mounting and installation                   |
| Type of electrical connection for supply voltage line-side  | Screw-type terminals                                |
| Tightening torque [lbf-in] for supply   | 20 ... 20 lbf-in                                    |
| Temperature of the conductor for supply maximum permissible   | 75 °C   |
| Material of the conductor for supply  | AL or CU  |
| Type of electrical connection for load-side outgoing feeder   | Screw-type terminals                                |
| Tightening torque [lbf-in] for load-side outgoing feeder  | 35 ... 50 lbf-in                                    |
| Type of electrical connection of magnet coil  | Screw-type terminals                                |
| Tightening torque [lbf-in] at magnet coil   | 5 ... 12 lbf-in                                     |
| Type of connectable conductor cross-sections of magnet coil at AWG conductors single or multi-stranded                      | 2x (16 ... 12 AWG)                                  |
| Temperature of the conductor at magnet coil maximum permissible   | 75 °C   |
| Material of the conductor at magnet coil  | CU  |
| Type of electrical connection for auxiliary contacts  | Screw-type terminals                                |
| Tightening torque [lbf-in] at contactor for auxiliary contacts  | 10 ... 15 lbf-in                                    |
| Type of connectable conductor cross-sections at contactor at AWG conductors for auxiliary contacts single or multi-stranded | 1x (12 AWG), 2x (16 ... 14 AWG), 2x (18 ... 16 AWG) |
| Temperature of the conductor at contactor for auxiliary contacts maximum permissible  | 75 °C   |
| Material of the conductor at contactor for auxiliary contacts   | CU  |
| Type of electrical connection at overload relay for auxiliary contacts  | Screw-type terminals                                |
| Tightening torque [lbf-in] at overload relay for auxiliary contacts   | 5 ... 12 lbf-in                                     |

|  |                    |
|--|--------------------|
| Type of connectable conductor cross-sections at overload relay at AWG conductors for auxiliary contacts single or multi-stranded | 2x (16 ... 12 AWG) |
| Temperature of the conductor at overload relay for auxiliary contacts maximum permissible  | 75 °C              |
| Material of the conductor at overload relay for auxiliary contacts   | CU                 |

#### Short-circuit current rating

|  |   |
|--|---|
| Design of the fuse link for short-circuit protection of the main circuit required  | 10kA@600V (Class H or K); 100kA@600V (Class R or J) |
| Design of the short-circuit trip   | Thermal magnetic circuit breaker                    |
| Maximum short-circuit current breaking capacity (Icu) <ul style="list-style-type: none"> <li>• at 240 V</li> <li>• at 480 V</li> <li>• at 600 V</li> </ul> | 14 kA<br>10 kA<br>10 kA                             |

#### Further information

**Industrial Controls - Product Overview (Catalogs, Brochures,...)**

[www.usa.siemens.com/iccatalog](http://www.usa.siemens.com/iccatalog)

**Industry Mall (Online ordering system)**

<https://mall.industry.siemens.com/mall/en/us/Catalog/product?mfb=US2:14BP32BL81>

**Service&Support (Manuals, Certificates, Characteristics, FAQs,...)**

<https://support.industry.siemens.com/cs/US/en/ps/US2:14BP32BL81>

**Image database (product images, 2D dimension drawings, 3D models, device circuit diagrams, EPLAN macros, ...)**

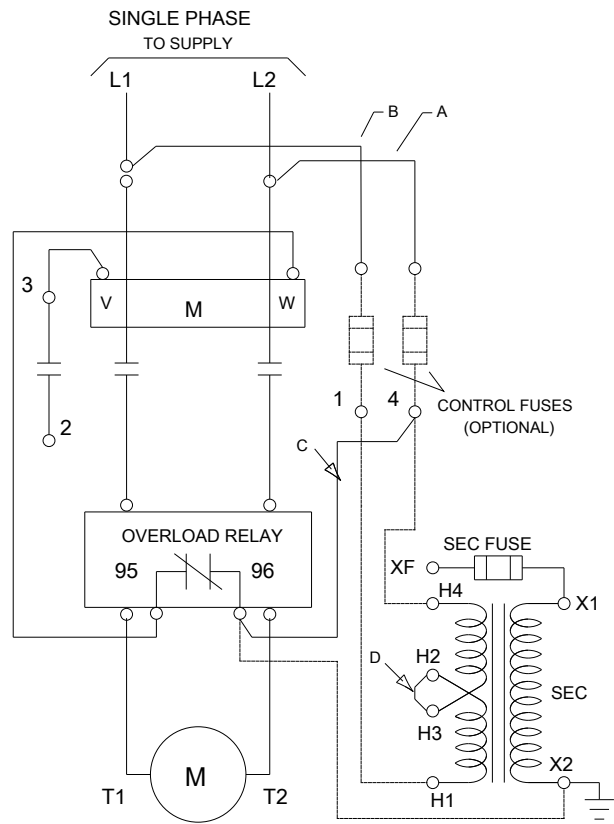
[http://www.automation.siemens.com/bilddb/cax\\_de.aspx?mfb=US2:14BP32BL81&lang=en](http://www.automation.siemens.com/bilddb/cax_de.aspx?mfb=US2:14BP32BL81&lang=en)

**Certificates/approvals**

<https://support.industry.siemens.com/cs/US/en/ps/US2:14BP32BL81/certificate>



| LETTER | KNOCKOUT & CONDUIT SIZE                 |
|--------|---|
| A      | %%C22.2 FOR 12.7 CONDUIT                |
| B      | %%C22.2 X %%C28.6 FOR 12.7 & 19 CONDUIT |
| C      | %%C28.6 X %%C34.9 FOR 19 & 25.4 CONDUIT |



D46590001

last modified:

06/03/2019