

Non-reversing motor starter Size 1 Three phase full voltage Solid-state overload relay OLRelay amp range 5.5-22A 24Vdc coil Combination type 30Amp fusible disconnect 30Amp / 250V fuse clip Enclosure NEMA type 4/12 Water/dust tight weather proof Standard width enclosure



Figure similar

| General technical data                                       |                          |
|--|--------------------------|
| Weight [lb]  | 34 lb                    |
| Height x Width x Depth [in]                                  | 24 × 11 × 8 in           |
| Protection against electrical shock                          | NA for enclosed products |
| Installation altitude [ft] at height above sea level maximum | 6560 ft                  |
| Ambient temperature [°F] during storage                      | -22 ... +149 °F          |
| Ambient temperature [°F] during operation                    | -4 ... +104 °F           |
| Ambient temperature during storage                           | -30 ... +65 °C           |
| Ambient temperature during operation                         | -20 ... +40 °C           |
| Country of origin  | USA                      |

| Horsepower ratings   |      |
|--|------|
| Yielded mechanical performance [hp] for three-phase AC motor               |      |
| <ul style="list-style-type: none"> <li>at 200/208 V rated value</li> </ul> | 3 hp |
| <ul style="list-style-type: none"> <li>at 220/230 V rated value</li> </ul> | 3 hp |
| <ul style="list-style-type: none"> <li>at 460/480 V rated value</li> </ul> | 0 hp |

- at 575/600 V rated value

0 hp

### Contactors

|   |          |
|---|----------|
| Number of NO contacts for main contacts                                 | 3        |
| Operating voltage for main current circuit at AC at 60 Hz maximum       | 600 V    |
| Operating current at AC at 600 V rated value                            | 27 A     |
| Mechanical service life (switching cycles) of the main contacts typical | 10000000 |

### Auxiliary contact

|   |                                     |
|---|-------------------------------------|
| Number of NC contacts at contactor for auxiliary contacts         | 0                                   |
| Number of NO contacts at contactor for auxiliary contacts         | 1                                   |
| Number of total auxiliary contacts maximum                        | 8                                   |
| Contact rating of auxiliary contacts of contactor according to UL | 10A@600VAC (A600), 5A@600VDC (P600) |

### Coil

|  |              |
|--|--------------|
| Type of voltage of the control supply voltage                                  | DC           |
| Control supply voltage   |              |
| <ul style="list-style-type: none"> <li>• at DC rated value</li> </ul>          | 24 ... 24 V  |
| <ul style="list-style-type: none"> <li>• at AC at 60 Hz rated value</li> </ul> | 0 ... 0 V    |
| <ul style="list-style-type: none"> <li>• at AC at 50 Hz rated value</li> </ul> | 0 ... 0 V    |
| Holding power at AC minimum  | 0 W          |
| Apparent pick-up power of magnet coil at AC                                    | 163 V·A      |
| Apparent holding power of magnet coil at AC                                    | 5.5 V·A      |
| Operating range factor control supply voltage rated value of magnet coil       | 0.85 ... 1.1 |
| Percental drop-out voltage of magnet coil related to the input voltage         | 25 %         |
| Switch-on delay time   | 21 ... 21 ms |
| Off-delay time   | 11 ... 11 ms |

### Overload relay

|  |   |
|--|---|
| Product function   |   |
| <ul style="list-style-type: none"> <li>• Overload protection</li> <li>• Phase failure detection</li> <li>• Phase unbalance</li> <li>• Ground fault detection</li> <li>• Test function</li> <li>• External reset</li> </ul> | <p>Yes</p> <p>Yes</p> <p>Yes</p> <p>Yes</p> <p>Yes</p> <p>Yes</p> |
| Reset function   | Manual, automatic and remote                                      |
| (trip class)   | Class 5 / 10 / 20 (factory set) / 30                              |

|  |                                    |
|--|------------------------------------|
| Adjustable pick-up value current of the current-dependent overload release | 5.5 ... 22 A                       |
| Trip time at phase-loss maximum  | 3 s                                |
| Relative repeat accuracy   | 1 %                                |
| Product feature Protective coating on printed-circuit board                | Yes                                |
| Number of NC contacts of auxiliary contacts of overload relay              | 1                                  |
| Number of NO contacts of auxiliary contacts of overload relay              | 1                                  |
| Operating current of auxiliary contacts of overload relay                  |                                    |
| • at AC at 600 V   | 5 A                                |
| • at DC at 250 V   | 1 A                                |
| Contact rating of auxiliary contacts of overload relay according to UL     | 5A@600VAC (B600), 1A@250VDC (R300) |
| Insulation voltage   |                                    |
| • with single-phase operation at AC rated value                            | 600 V                              |
| • with multi-phase operation at AC rated value                             | 300 V                              |

### Disconnect Switch

|  |                    |
|--|--------------------|
| Rated response values of switch disconnecter | 30A / 250V         |
| Design of fuse holder                        | Class R fuse clips |
| Operating class of the fuse link             | Class R            |

### Enclosure

|   |  |
|---|--|
| Degree of protection NEMA rating of the enclosure | NEMA 4, 12                             |
| Design of the housing                             | Dust-tight, watertight & weather proof |

### Mounting/wiring

|   |                                   |
|---|-----------------------------------|
| (mounting position)   | vertical                          |
| (mounting type)   | Surface mounting and installation |
| Type of electrical connection for supply voltage line-side  | Box lug                           |
| Tightening torque [lbf-in] for supply   | 35 ... 35 lbf-in                  |
| Type of connectable conductor cross-sections at line-side at AWG conductors single or multi-stranded                  | 1x (14 ... 2 AWG)                 |
| Temperature of the conductor for supply maximum permissible   | 75 °C                             |
| Material of the conductor for supply  | AL or CU                          |
| Type of electrical connection for load-side outgoing feeder   | Screw-type terminals              |
| Tightening torque [lbf-in] for load-side outgoing feeder  | 35 ... 35 lbf-in                  |
| Type of connectable conductor cross-sections at AWG conductors for load-side outgoing feeder single or multi-stranded | 1x (14 ... 2 AWG)                 |

|  |   |
|--|---|
| Temperature of the conductor for load-side outgoing feeder maximum permissible   | 75 °C   |
| Material of the conductor for load-side outgoing feeder  | AL or CU  |
| Type of electrical connection of magnet coil   | Screw-type terminals                                |
| Tightening torque [lbf-in] at magnet coil  | 5 ... 12 lbf-in                                     |
| Type of connectable conductor cross-sections of magnet coil at AWG conductors single or multi-stranded                           | 2x (16 ... 12 AWG)                                  |
| Temperature of the conductor at magnet coil maximum permissible  | 75 °C   |
| Material of the conductor at magnet coil   | CU  |
| Type of electrical connection for auxiliary contacts   | Screw-type terminals                                |
| Tightening torque [lbf-in] at contactor for auxiliary contacts   | 10 ... 15 lbf-in                                    |
| Type of connectable conductor cross-sections at contactor at AWG conductors for auxiliary contacts single or multi-stranded      | 1x (12 AWG), 2x (16 ... 14 AWG), 2x (18 ... 16 AWG) |
| Temperature of the conductor at contactor for auxiliary contacts maximum permissible   | 75 °C   |
| Material of the conductor at contactor for auxiliary contacts  | CU  |
| Type of electrical connection at overload relay for auxiliary contacts   | Screw-type terminals                                |
| Tightening torque [lbf-in] at overload relay for auxiliary contacts  | 7 ... 10 lbf-in                                     |
| Type of connectable conductor cross-sections at overload relay at AWG conductors for auxiliary contacts single or multi-stranded | 2x (20 ... 14 AWG)                                  |
| Temperature of the conductor at overload relay for auxiliary contacts maximum permissible  | 75 °C   |
| Material of the conductor at overload relay for auxiliary contacts   | CU  |

#### Short-circuit current rating

|   |   |
|---|---|
| Design of the fuse link for short-circuit protection of the main circuit required | 10kA@600V (Class H or K); 100kA@600V (Class R or J) |
|---|---|

#### Further information

##### Industrial Controls - Product Overview (Catalogs, Brochures,...)

[www.usa.siemens.com/iccatalog](http://www.usa.siemens.com/iccatalog)

##### Industry Mall (Online ordering system)

<https://mall.industry.siemens.com/mall/en/us/Catalog/product?mlfb=US2:17DUD92NS10>

##### Service&Support (Manuals, Certificates, Characteristics, FAQs,...)

<https://support.industry.siemens.com/cs/US/en/ps/US2:17DUD92NS10>

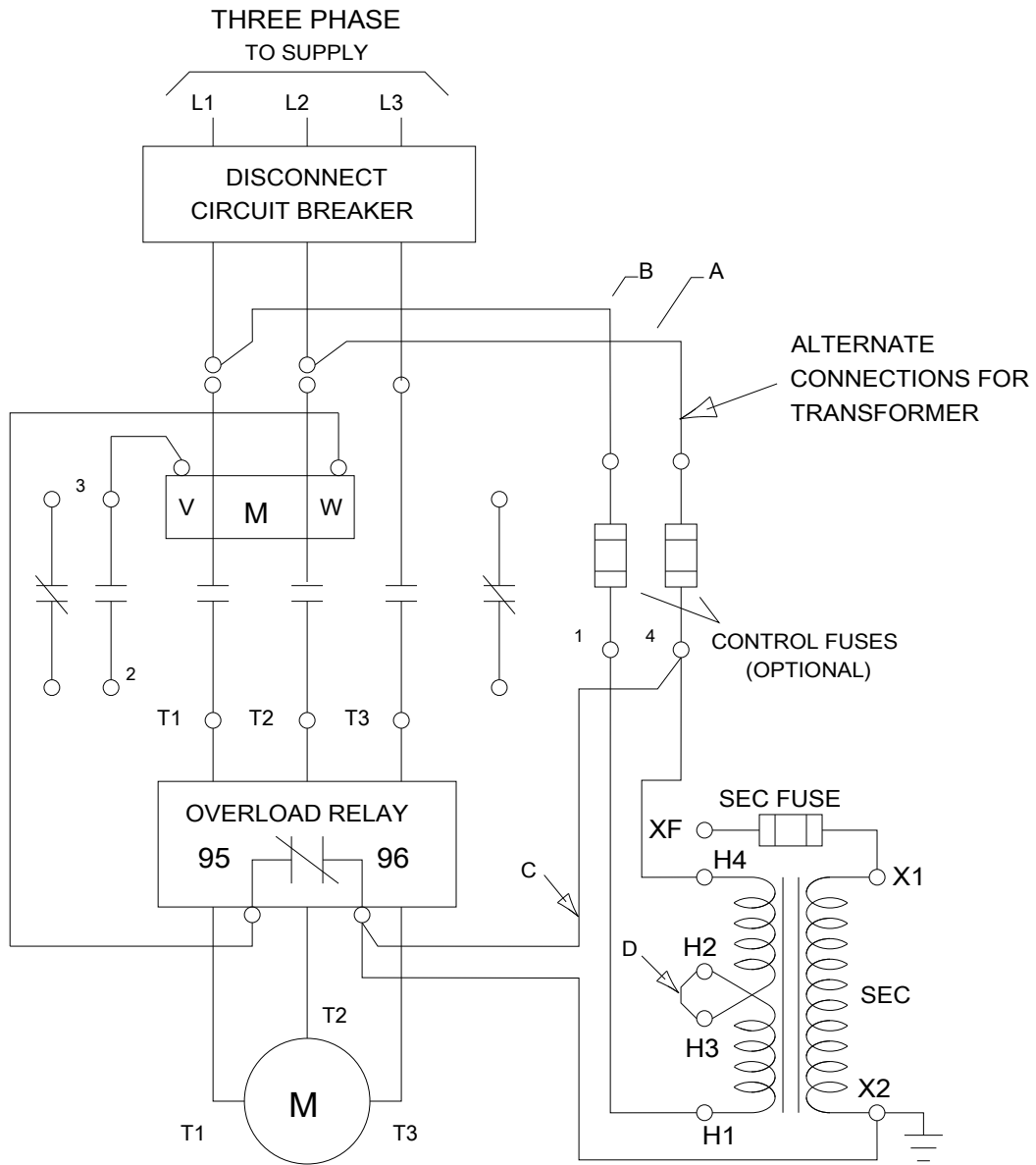
##### Image database (product images, 2D dimension drawings, 3D models, device circuit diagrams, EPLAN macros, ...)

[http://www.automation.siemens.com/bilddb/cax\\_de.aspx?mlfb=US2:17DUD92NS10&lang=en](http://www.automation.siemens.com/bilddb/cax_de.aspx?mlfb=US2:17DUD92NS10&lang=en)

##### Certificates/approvals

<https://support.industry.siemens.com/cs/US/en/ps/US2:17DUD92NS10/certificate>





D68782001

last modified:

05/08/2019