

Non-reversing NEMA contactor, Size 0, Three phase full voltage, Contactor amp rating 18A, 3 wire (NO aux included), 24VAC 50-60Hz coil, Non-combination type, Enclosure NEMA type 12, Dust/drip proof for indoors, Standard width enclosure



Figure similar

| General technical data                                       |                          |
|--|--------------------------|
| Weight [lb]  | 11 lb                    |
| Height x Width x Depth [in]                                  | 13 × 8 × 5 in            |
| Protection against electrical shock                          | NA for enclosed products |
| Installation altitude [ft] at height above sea level maximum | 6560 ft                  |
| Ambient temperature [°F] during storage                      | -22 ... +149 °F          |
| Ambient temperature [°F] during operation                    | -4 ... +104 °F           |
| Ambient temperature during storage                           | -30 ... +65 °C           |
| Ambient temperature during operation                         | -20 ... +40 °C           |
| Country of origin  | USA                      |

| Horsepower ratings   |      |
|--|------|
| Yielded mechanical performance [hp] for three-phase AC motor               |      |
| <ul style="list-style-type: none"> <li>at 200/208 V rated value</li> </ul> | 3 hp |
| <ul style="list-style-type: none"> <li>at 220/230 V rated value</li> </ul> | 3 hp |
| <ul style="list-style-type: none"> <li>at 460/480 V rated value</li> </ul> | 5 hp |

- at 575/600 V rated value

5 hp

### Contactors

|   |          |
|---|----------|
| Number of NO contacts for main contacts                                 | 3        |
| Operating voltage for main current circuit at AC at 60 Hz maximum       | 600 V    |
| Operating current at AC at 600 V rated value                            | 18 A     |
| Mechanical service life (switching cycles) of the main contacts typical | 10000000 |

### Auxiliary contact

|   |                                     |
|---|-------------------------------------|
| Number of NC contacts at contactor for auxiliary contacts         | 0                                   |
| Number of NO contacts at contactor for auxiliary contacts         | 1                                   |
| Number of total auxiliary contacts maximum                        | 8                                   |
| Contact rating of auxiliary contacts of contactor according to UL | 10A@600VAC (A600), 5A@600VDC (P600) |

### Coil

|  |              |
|--|--------------|
| Type of voltage of the control supply voltage                                  | AC           |
| Control supply voltage   |              |
| <ul style="list-style-type: none"> <li>• at DC rated value</li> </ul>          | 0 ... 0 V    |
| <ul style="list-style-type: none"> <li>• at AC at 60 Hz rated value</li> </ul> | 24 ... 24 V  |
| <ul style="list-style-type: none"> <li>• at AC at 50 Hz rated value</li> </ul> | 24 ... 24 V  |
| Holding power at AC minimum  | 8.6 W        |
| Apparent pick-up power of magnet coil at AC                                    | 218 V·A      |
| Apparent holding power of magnet coil at AC                                    | 25 V·A       |
| Operating range factor control supply voltage rated value of magnet coil       | 0.85 ... 1.1 |
| Percental drop-out voltage of magnet coil related to the input voltage         | 50 %         |
| Switch-on delay time   | 19 ... 29 ms |
| Off-delay time   | 10 ... 24 ms |

### Enclosure

|   |                                       |
|---|---------------------------------------|
| Degree of protection NEMA rating of the enclosure | NEMA Type 12                          |
| Design of the housing                             | Dust tight and drip proof for indoors |

### Mounting/wiring

|  |                                   |
|--|-----------------------------------|
| (mounting position)  | Vertical                          |
| (mounting type)  | Surface mounting and installation |
| Type of electrical connection for supply voltage line-side   | Screw-type terminals              |
| Tightening torque [lbf·in] for supply  | 20 ... 20 lbf·in                  |
| Type of connectable conductor cross-sections at line-side at AWG conductors single or multi-stranded | 1x (14 ... 2 AWG)                 |

|   |   |
|---|---|
| Temperature of the conductor for supply maximum permissible   | 75 °C   |
| Material of the conductor for supply  | AL or CU  |
| Type of electrical connection for load-side outgoing feeder   | Screw-type terminals                                |
| Tightening torque [lbf·in] for load-side outgoing feeder  | 20 ... 20 lbf·in                                    |
| Type of connectable conductor cross-sections at AWG conductors for load-side outgoing feeder single or multi-stranded       | 1x (14 ... 2 AWG)                                   |
| Temperature of the conductor for load-side outgoing feeder maximum permissible  | 75 °C   |
| Material of the conductor for load-side outgoing feeder   | AL or CU  |
| Type of electrical connection of magnet coil  | Screw-type terminals                                |
| Tightening torque [lbf·in] at magnet coil   | 5 ... 12 lbf·in                                     |
| Type of connectable conductor cross-sections of magnet coil at AWG conductors single or multi-stranded                      | 2x (16 ... 12 AWG)                                  |
| Temperature of the conductor at magnet coil maximum permissible   | 75 °C   |
| Material of the conductor at magnet coil  | CU  |
| Type of electrical connection at contactor for auxiliary contacts   | Screw-type terminals                                |
| Tightening torque [lbf·in] at contactor for auxiliary contacts  | 10 ... 15 lbf·in                                    |
| Type of connectable conductor cross-sections at contactor at AWG conductors for auxiliary contacts single or multi-stranded | 1x (12 AWG), 2x (16 ... 14 AWG), 2x (18 ... 16 AWG) |
| Temperature of the conductor at contactor for auxiliary contacts maximum permissible  | 75 °C   |
| Material of the conductor at contactor for auxiliary contacts   | CU  |

### Short-circuit current rating

|   |   |
|---|---|
| Design of the fuse link for short-circuit protection of the main circuit required | 10kA@600V (Class H or K); 100kA@600V (Class R or J) |
| Design of the short-circuit trip  | Thermal magnetic circuit breaker                    |
| Maximum short-circuit current breaking capacity (I <sub>cu</sub> )                |   |
| • at 240 V  | 14 A  |
| • at 480 V  | 10 A  |
| • at 600 V  | 10 A  |

### Further information

**Industrial Controls - Product Overview (Catalogs, Brochures,...)**

[www.usa.siemens.com/iccatalog](http://www.usa.siemens.com/iccatalog)

**Industry Mall (Online ordering system)**

<https://mall.industry.siemens.com/mall/en/us/Catalog/product?mlfb=US2:40CP320J>

**Service&Support (Manuals, Certificates, Characteristics, FAQs,...)**

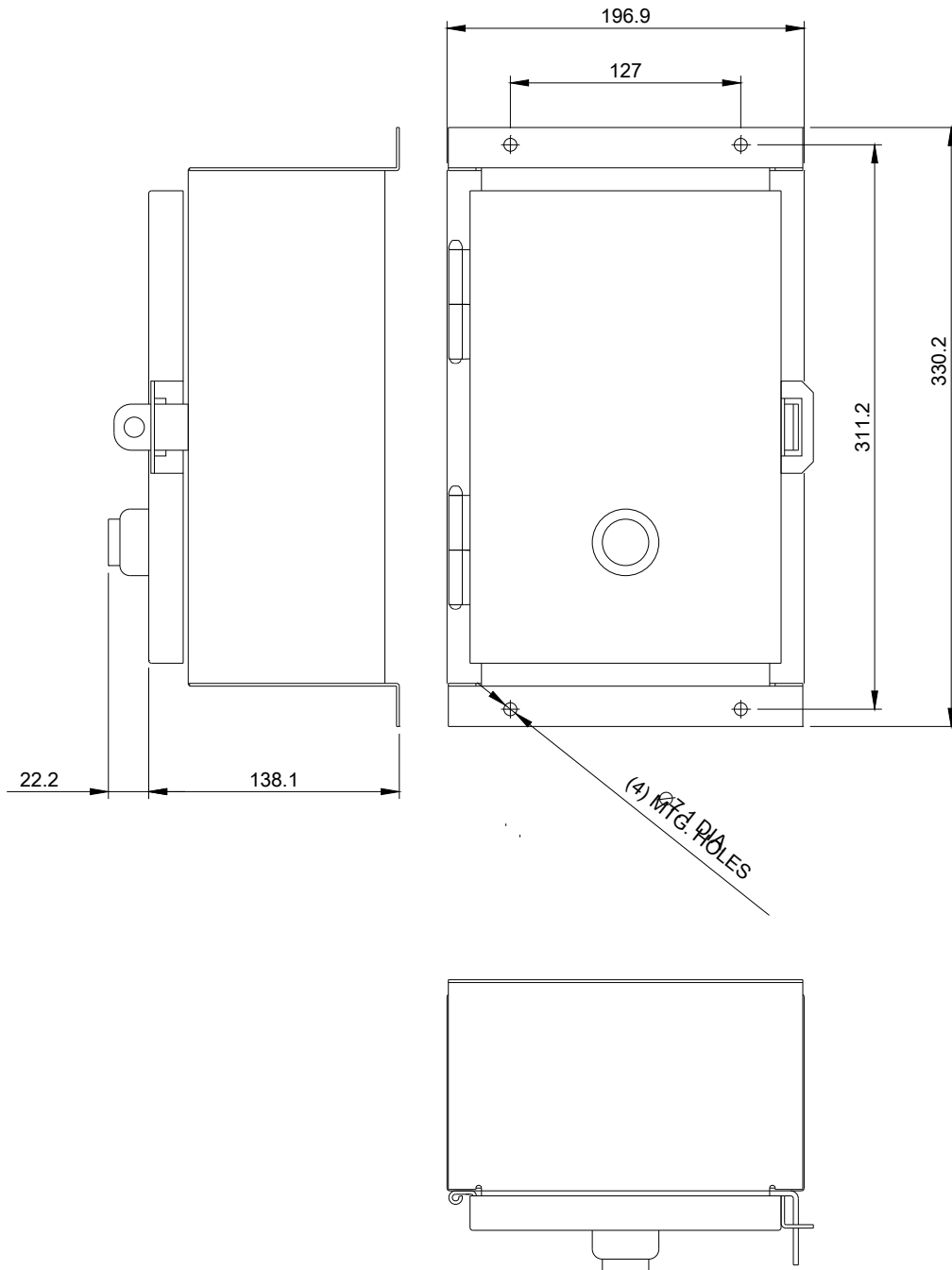
<https://support.industry.siemens.com/cs/US/en/ps/US2:40CP320J>

**Image database (product images, 2D dimension drawings, 3D models, device circuit diagrams, EPLAN macros, ...)**

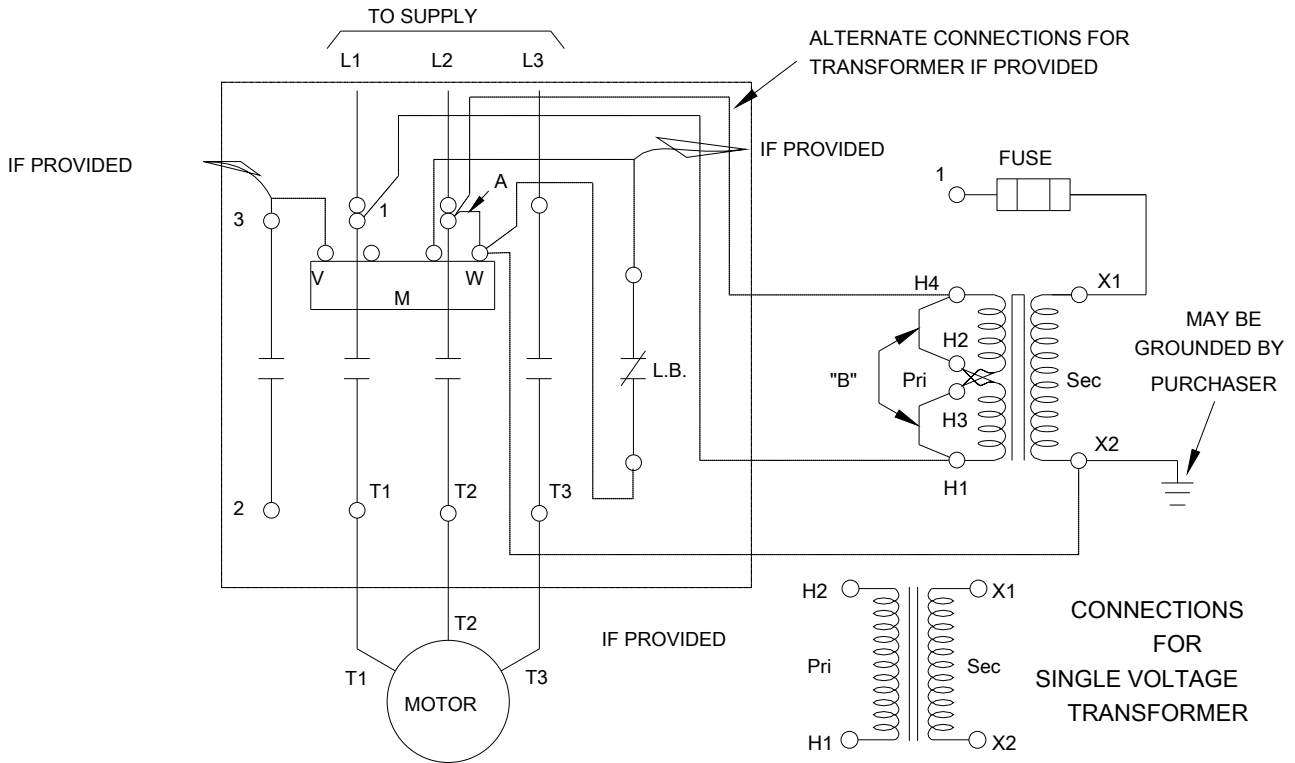
[http://www.automation.siemens.com/bilddb/cax\\_de.aspx?mlfb=US2:40CP320J&lang=en](http://www.automation.siemens.com/bilddb/cax_de.aspx?mlfb=US2:40CP320J&lang=en)

**Certificates/approvals**

<https://support.industry.siemens.com/cs/US/en/ps/US2:40CP320J/certificate>



WIRING DIAGRAM



D29223001

last modified:

05/08/2019