

30mm Command/52, Chrome Finish Heavy Duty, Watertight/Oiltight Complete Metal Unit Illuminated Indicator Light Full Voltage type, 24V AC/DC LED Lamp, BA9s Glass Lens, White UL Listed, CSA Certified NEMA 1,3,3R,4,4X,12,13 & Automotive Standards

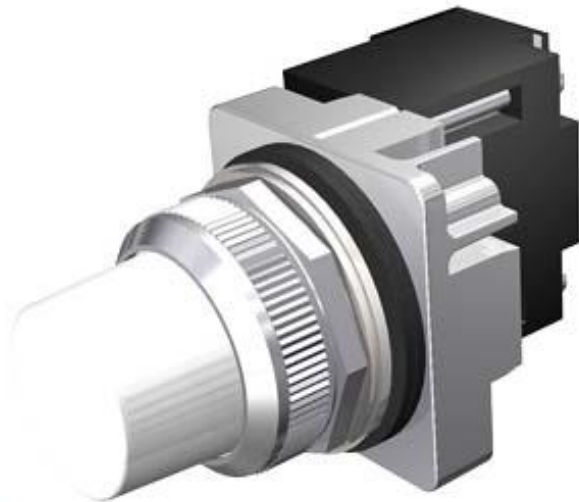


Figure similar

<b>Product brand name</b>	Siemens Pilot Devices
<b>Design of the product</b>	Complete Unit, Round
<b>Enclosure</b>	
<b>Number of command points</b>	1
<b>Delivery state</b>	No
• as a kit	
<b>Actuator</b>	
<b>Design of the operating mechanism</b>	Indicator Light
<b>Product extension optional Light source</b>	Yes
<b>Color</b>	
• of the actuating element	white
<b>Material of the actuating element</b>	glass
<b>Shape of the actuating element</b>	Concentric rings
<b>Front ring</b>	
<b>Product component front ring</b>	Yes
<b>Design of the front ring</b>	standard
<b>Material of the front ring</b>	metal

Color of the front ring	chrome
<b>Holder</b>	
Material of the holder	metal
<b>Contact block/ lampholder</b>	
Mounting type	BA 9s, with single LED lamp
Number of lampholders	1
<b>Display</b>	
Number of LED modules	1
<b>General technical data</b>	
<b>Product component</b>	
• lamp transformer	No
• Light source	Yes
<b>Degree of pollution</b>	1
<b>Type of voltage</b>	
• of the operating voltage	AC/DC
• of the input voltage	AC/DC
<b>Surge voltage resistance rated value</b>	4 kV
<b>Protection class IP</b>	IP66
• of the terminal	IP20
<b>Mechanical service life (switching cycles)</b>	
• typical	50
<b>Operating voltage</b>	
• at AC	
— at 60 Hz rated value	24 ... 28 V
• at DC rated value	24 ... 28 V
<b>Supply voltage</b>	
<b>Type of voltage of the supply voltage</b>	
• of the light source	AC/DC
<b>Supply voltage of the light source at AC</b>	
• at 60 Hz rated value	28 ... 24 V
<b>Supply voltage of the light source at DC</b>	
• rated value	28 ... 24 V
<b>Connections/Terminals</b>	
<b>Type of electrical connection</b>	screw-type terminals
• of modules and accessories	screw-type terminals
<b>Type of connectable conductor cross-sections</b>	
• at AWG conductors for auxiliary contacts	1x (18 ... 12), 2x (18 ... 16), 2x (16 ... 14), 2x 12
<b>Tightening torque of the screws in the bracket</b>	20 N·m
<b>Tightening torque [lbf·in]</b>	
• with screw-type terminals	8 ... 8 lbf·in

Lamp	
Type of light source	Single LED
Color of the light source	white

Safety related data	
Protection against electrical shock	finger safe

Ambient conditions	
Ambient temperature	
<ul style="list-style-type: none"> <li>during operation</li> </ul>	-35 ... +70 °C
<ul style="list-style-type: none"> <li>during storage</li> </ul>	-40 ... +85 °C

Installation/ mounting/ dimensions	
<ul style="list-style-type: none"> <li>Mounting type of modules and accessories</li> </ul>	screw-mounting
Shape of the installation opening	round

### Certificates/approvals

### Further information

**Information- and Downloadcenter (Catalogs, Brochures,...)**

<http://www.siemens.com/industrial-controls/catalogs>

**Industry Mall (Online ordering system)**

<https://mall.industry.siemens.com/mall/en/en/Catalog/product?mlfb=US2:52PL5DBXB>

**Cax online generator**

<http://support.automation.siemens.com/WW/CAXorder/default.aspx?lang=en&mlfb=US2:52PL5DBXB>

**Service&Support (Manuals, Certificates, Characteristics, FAQs,...)**

<https://support.industry.siemens.com/cs/ww/en/ps/US2:52PL5DBXB>

**Image database (product images, 2D dimension drawings, 3D models, device circuit diagrams, EPLAN macros, ...)**

[http://www.automation.siemens.com/bilddb/cax\\_de.aspx?mlfb=US2:52PL5DBXB&lang=en](http://www.automation.siemens.com/bilddb/cax_de.aspx?mlfb=US2:52PL5DBXB&lang=en)

last modified: 06/03/2019